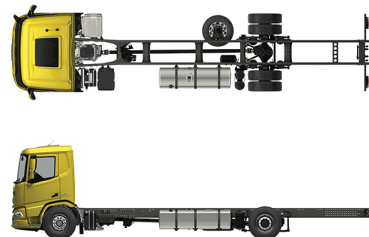


# Specification sheet

# XD 300

FA 4X2 Rigid



## ENGINES

- XD NewGen 300 MX-11 (220 kW / 299 hp)
- XD NewGen 340 MX-11 (251 kW / 341 hp)
- XD NewGen 370 MX-11 (270 kW / 367 hp)
- XD NewGen 410 MX-11 (300 kW / 408 hp)
- XD NewGen 450 MX-11 (330 kW / 449 hp)

## GVM<sup>1)</sup>

- 18000 kg
- Max. front 8000 kg
- Max. rear 11500 kg

## GCM<sup>2)</sup>

- 38000 kg

016F0101AAAA - 202345C - 18-08-2023

DAF Trucks Ltd, UK, Haddenham, HP17 8LJ, [www.daf.co.uk](http://www.daf.co.uk)

## OPTION PACKAGES

### Optional

**17448** Safety pack **17595** Executive Pack XD/XF

## CAB EXTERIOR

Luxurious Day Cab with unrivalled aerodynamics for fuel efficient driving and low CO2 emissions. The huge and deep frontscreen, curved at the sides combined with large side windows offer an unsurpassed direct view for the driver, to enhance road safety. Cab length: 2030 mm; cab width: 2500 mm. Number of cab entrance steps: 2.; Cab suspension mechanical; LED head lights; DAF Corner View.

### Optional

**07018** Sleeper Cab **01836** LED Skylights  
**06244** Sleeper High Cab **00949** LED Skylights; aux. LED lights on cab rf, prepared  
**02889** Chassis front execution: no bottom plate **01925** Two LED work lamps for cab rear wall  
**02952** Chassis front execution: bottom plate aero **01891** Hazard beacons on cab front, prepared  
**03353** Chassis front execution: protruding **06629** Two hazard beacon lights  
**07586** Chassis front execution: robust **03232** Front windscreen with solar control foil  
**01226** Cab suspension air **03317** Rear window: double glass  
**03358** External sun visor **07343** Kerb view window co-driver door  
**03922** Fog lights front **01362** DAF Digital Vision System  
**00936** Auxiliary LED lights on cab roof, prepared

## AERODYNAMICS

### Optional

**00008** Adj. roof air deflector short Sleeper High Cab **00097** Adj. roof air deflector for Sleeper Cab  
**00124** Adj. rf air defl.long mid >4m(!) Sleeper High Cab **00020** Adj. roof air deflector long low Sleeper High Cab  
**01538** Adj. roof air defl. long high >4m(!) Sleeper High **02662** Adj. roof air deflector long mid Sleeper High Cab  
**00082** Adj. roof air deflector for Day Cab

## COLOURS

Cab colour E1980 Crystal White; Chassis colour grey.; Colour of bumper: Crystal White.

## CAB INTERIOR

Cab interior trim colour: Luxury; Dashboard finish: Vision; Cab interior decoration: Hexagon; Driver seat: Comfort Air; Co-driver seat: cinema with fabric cover; No dashboard table; Storage compartment in centre; Automatic Temperature Control and aircoc; No auxiliary cab heater.

### Optional

**02354** Steering wheel with silver accents **02117** Third seat  
**02355** Steering wheel, leather **02837** Dashboard table  
**02353** Cab interior decoration: Argenta **03948** Single drawer  
**02350** Cab interior decoration: Natura **03954** Refrigerator  
**02838** Foam mattress for lower bunk  
**07733** Driver seat: Luxury Air **02854** Xtra Comfort mattress for lower bunk  
**07736** Driver seat: Super Air **01775** Xtra Comfort mattress with topper for lower bunk  
**07737** Driver seat: Xtra Leather Air **06970** Automatic Cab Climate Control  
**09541** Arm rest driver seat  
**01740** Arm rest at both sides of the driver seat

## COMMUNICATION AND DRIVING MANAGEMENT

DAF Connect; Tachograph digital, Stoneridge 1C version G2V2; Speed limiter setting 85 km/h; Eco off 90 km/h; DAF Infotainment Luxury with Luxury speakers; Adaptive Cruise Control with FCW and AEBS-3.

### Optional

**09681** Preparation for Maut **01915** DAF Infotainment System: Luxury Plus  
**06211** DAF Infotainment System with FM/DAB/DAB+ radio **06991** Predictive Cruise Control  
**03470** DAF Infotainment System: Exclusive, prepared

## SAFETY AND SECURITY

Lane Departure Warning System; Vehicle Stability Control (VSC); Basic engine immobiliser system; No EC-ADR packages; DAF Side & Turn Assist.

### Optional

**08631** Air bag (driver) and 2 seat belt tensioners **00795** Safety regulations EC ADR

## SUSPENSION AND AXLES

Front: 8.00 t, parabolic, 163N; Rear axle load 13.00 t; Rear: air suspension, SR1344; No lifting device.

### Optional

**06257** Front axle load 9.00 t **04588** Rear axle SR1347  
**04647** Front springs air **01603** Rear springs parabolic  
**04057** Rear axle HR1356 **08191** Axle load monitoring

## WHEELS AND TYRES

Driven rear axle(s): 315/70R22.5; F1,315/70R22.5GO FMXSE 156/150 L Steering BBA 3P; R1,315/70R22.5GO FMXDE 154/150 L Traction BBA 3P.

### Optional

**16152** Tyre makes and types

## DRIVELINE

Engine MX-11, multi torque 6 cylinder diesel engine, 10.8 litres. Output 220 kW (299 hp) at 1600 rpm. Max. torque 1450 Nm at 900-1400 rpm.; Exhaust emission Euro 6; Eco fuel; 12-speed TraXon 12TX1810 OD, 12.92-0.77; Gearbox ratio 12.92-0.77; Rear axle ratio 3.08.

### Optional

**07110** Eco performance **08371** Long Combination Vehicle (LCV)  
**09889** Automatic gearbox, 6 speeds **09638** Off-road applications  
**02313** Gearbox direct drive **01498** Off-road applications with Rock-free function  
**01514** Urge-to-move **08370** Refuse collection  
**31014** Without feature: Manoeuvring mode **06654** No gearbox software setting  
**07101** Standard transport, Lite version **02843** Mechanical differential lock  
**09637** Liquid transport

## BRAKE SYSTEM

Exhaust brake; Ventilated disc brakes front and rear. Dual circuit air system with electronic control (EBS)..

### Optional

<b>09921</b> MX Engine Brake	<b>01497</b> Park brake control pneumatic with spoken warning
<b>02715</b> ZF Intarder	
<b>01572</b> Park brake control electro-pneumatic	<b>04901</b> Spring brake cylinders on the first front axle
	<b>00929</b> Driven rear axle with drum brakes

### CHASSIS

Wheelbase 4.00 m / rear overhang 1.70 m; Side member height 260 mm; Standard component location; 340 l alu fuel tank LH, height 620 mm; Tank for AdBlue® 45 l, left-hand side chassis; Front underrun protection (FUP); Spray suppression.

### Optional

<b>02601</b> Side member height 310 mm	<b>07071</b> Spare wheel carrier right-hand side
<b>16157</b> Fuel tanks, material and sizes	<b>03323</b> Rear light with LEDs

### DRAWBAR AND TRAILER EQUIPMENT

Closing member.

### Optional

<b>07033</b> Trailer coupling Ringfeder D=13.7	<b>08027</b> Trailer coupling Rockinger D=20.0
<b>07034</b> Trailer coupling Ringfeder D=20.0	<b>04659</b> Trailer cable EBS
<b>08026</b> Trailer coupling Rockinger D=13.0	

### BODIES AND PREPARATIONS FOR BODYING

Application connector chassis.

### Optional

<b>09421</b> Additional spare wiring	<b>09240</b> Application connector for refuse collector
<b>02950</b> Application connector for hydraulic platform	<b>08121</b> Tail lift application

### POWER TAKE-OFF (PTO)

### Optional

<b>16148</b> PTO types and positions
--------------------------------------

### 24V POWER SUPPLY

Alternator 110 A, batteries 2x 140 Ah..

### Optional

<b>04492</b> Alternator 130 A	<b>07671</b> Batteries 2x210Ah AGM C-type
<b>08775</b> Alternator 150 A	
<b>08797</b> Batteries 2x175Ah	<b>06440</b> Batteries 2x230Ah

### GVM AND GCM

Chassis weight related technical GVM max 19500 kg; Driveline related max GCM 38000 kg class 2.

### APPLICATION CONDITIONS

Air intake front.

### Optional

<b>08400</b> Silent mode	<b>03648</b> Cyclonic air intake high
<b>02260</b> Extra cab insulation	<b>06614</b> Anti-dust blow-up shield

### SERVICE AND MAINTENANCE

Standard Warranty takes care of 1 year complete vehicle as supplied by the OEM (excl. real wear parts), 2nd year driveline and 1st year breakdown.; ITS service.

### Optional

<b>08311</b> Service interval extended
--

### VEHICLE DELIVERY

Minimum toolkit.

### Optional

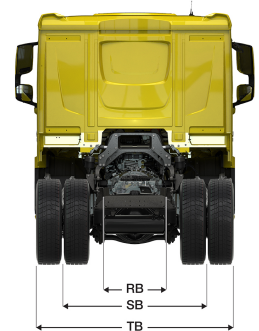
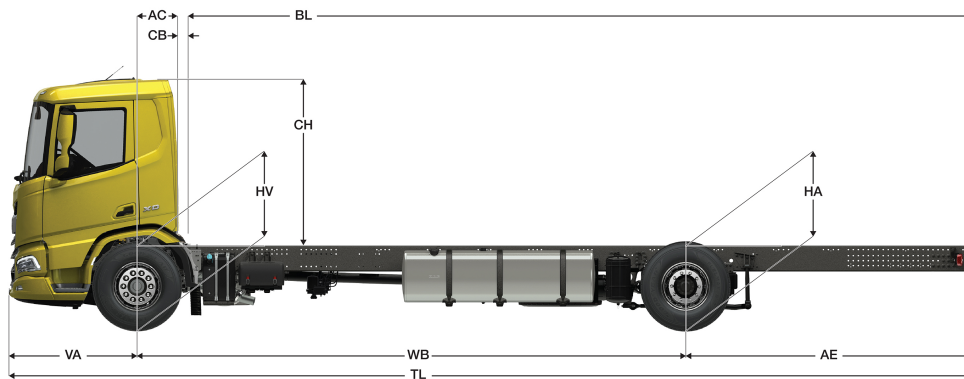
<b>07569</b> Lifting jack
---------------------------



Go to [DAF.com](https://www.daf.com) to configure your own perfect DAF.

# XD 300

## FA 4X2 Rigid



	Wheelbase - AE <sup>5)</sup>		Unladen weight <sup>1)</sup>			Gross Carrying Capacity			Variable dimensions									
	WB	AE <sup>5)</sup>	Front	Rear	Total	Front	Rear	Total	AC	CB <sup>6)</sup>	CH <sup>7)</sup>	BL <sup>8)</sup>	BL	TL	HA <sup>9)</sup>	HA <sup>10)</sup>	TK <sup>11)</sup>	TW <sup>12)</sup>
DAY CAB	3,80	1,30	4660	1873	6532	3340	9627	11468	0,50	0,07	2,06	4,51	5,38	6,63	0,97	0,94	13,50	14,88
	4,00	1,70	4625	1916	6542	3375	9584	11458	0,50	0,07	2,06	4,79	5,70	7,23	0,97	0,94	14,01	15,41
	4,20	1,80	4630	1950	6580	3370	9550	11420	0,50	0,07	2,06	5,08	6,03	7,53	0,97	0,94	14,53	15,94
	4,50	1,95	4625	1996	6622	3375	9504	11378	0,50	0,07	2,06	5,51	6,55	7,98	0,97	0,94	15,31	16,73
	4,70	2,05	4619	2018	6638	3381	9482	11362	0,50	0,07	2,06	5,79	6,88	8,28	0,97	0,94	15,83	17,26
	4,90	2,35	4608	2054	6662	3392	9446	11338	0,50	0,07	2,06	6,07	7,21	8,78	0,97	0,94	16,35	17,79
	5,10	2,75	4656	2200	6856	3344	9300	11144	0,50	0,07	2,06	6,37	7,56	9,38	0,97	0,94	16,87	18,31
	5,40	2,65	4664	2210	6874	3336	9290	11126	0,50	0,07	2,06	6,81	8,09	9,58	0,97	0,94	17,66	19,11
SLEEPER CAB	5,70	2,65	4674	2234	6907	3326	9266	11093	0,50	0,07	2,06	7,26	8,60	9,88	0,97	0,94	18,44	19,90
	6,10	2,80	4685	2291	6976	3315	9209	11024	0,50	0,07	2,06	7,84	9,29	10,43	0,97	0,94	19,49	20,96
	3,80	1,30	4759	1877	6636	3241	9623	11364	0,83	0,07	2,06	3,89	4,77	6,63	0,97	0,94	13,50	14,88
	4,00	1,70	4725	1920	6645	3275	9580	11355	0,83	0,07	2,06	4,17	5,09	7,23	0,97	0,94	14,01	15,41
	4,20	1,80	4730	1954	6684	3270	9546	11316	0,83	0,07	2,06	4,46	5,43	7,53	0,97	0,94	14,53	15,94
	4,50	1,95	4726	2000	6726	3274	9500	11274	0,83	0,07	2,06	4,90	5,94	7,98	0,97	0,94	15,31	16,73
	4,70	2,05	4720	2022	6741	3280	9478	11259	0,83	0,07	2,06	5,19	6,28	8,28	0,97	0,94	15,83	17,26
	4,90	2,35	4708	2058	6766	3292	9442	11234	0,83	0,07	2,06	5,48	6,61	8,78	0,97	0,94	16,35	17,79
SLEEPER HIGH CAB	5,10	2,75	4757	2203	6960	3243	9297	11040	0,83	0,07	2,06	5,77	6,97	9,38	0,97	0,94	16,87	18,31
	5,40	2,65	4765	2213	6978	3235	9287	11022	0,83	0,07	2,06	6,21	7,50	9,58	0,97	0,94	17,66	19,11
	5,70	2,65	4775	2237	7011	3225	9263	10989	0,83	0,07	2,06	6,67	8,02	9,88	0,97	0,94	18,44	19,90
	6,10	2,80	4786	2294	7080	3214	9206	10920	0,83	0,07	2,06	7,26	8,71	10,43	0,97	0,94	19,49	20,96
	3,80	1,30	4790	1876	6666	3210	9624	11334	0,83	0,07	2,54	3,90	4,78	6,63	0,97	0,94	13,50	14,88
	4,00	1,70	4755	1920	6675	3245	9580	11325	0,83	0,07	2,54	4,18	5,10	7,23	0,97	0,94	14,01	15,41
	4,20	1,80	4760	1954	6714	3240	9546	11286	0,83	0,07	2,54	4,47	5,45	7,53	0,97	0,94	14,53	15,94
	4,50	1,95	4756	1999	6755	3244	9501	11245	0,83	0,07	2,54	4,91	5,97	7,98	0,97	0,94	15,31	16,73
SLEEPER HIGH CAB	4,70	2,05	4750	2021	6771	3250	9479	11229	0,83	0,07	2,54	5,20	6,30	8,28	0,97	0,94	15,83	17,26
	4,90	2,35	4738	2057	6796	3262	9443	11204	0,83	0,07	2,54	5,49	6,64	8,78	0,97	0,94	16,35	17,79
	5,10	2,75	4787	2202	6990	3213	9298	11010	0,83	0,07	2,54	5,79	7,00	9,38	0,97	0,94	16,87	18,31
	5,40	2,65	4795	2212	7007	3205	9288	10993	0,83	0,07	2,54	6,24	7,52	9,58	0,97	0,94	17,66	19,11
	5,70	2,65	4805	2236	7041	3195	9264	10959	0,83	0,07	2,54	6,68	8,04	9,88	0,97	0,94	18,44	19,90
	6,10	2,80	4816	2293	7110	3184	9207	10890	0,83	0,07	2,54	7,27	8,73	10,43	0,97	0,94	19,49	20,96

OTHER DIMENSIONS VA: 1,53 HV<sup>13)</sup>: 0,98 HV<sup>14)</sup>: 0,91 RB: 0,79 SB: 1,82 TB<sup>15)</sup>: 2,48

- GVM in conformity with registration documents.
- GCM in conformity with registration documents.
- Axle load with standard tyre size.
- Chassis and cab weight calculated with: Standard specification items only with 340 litres of fuel, 45 litres of AdBlue® and driver of 90 kg, tolerance ± 3%. Changing of the specification can have major impact on vehicle weight.
- Other AE dimensions may be available for shown WB. Modify rear overhang to the calculated body length.
- CB is based on standard air intake and/or exhaust.
- Cab height is measured from frame member to closed cabin roof hatch.
- Calculate customer specific body length with TOPEC. Body lengths shown based on evenly distributed load at max axle load.
- Unladen height at centre of driven axle(s).
- Laden height at centre of driven axle(s).
- TK = turning circle between kerbs.
- TW = turning circle between walls.
- Unladen height at centre of front axle(s).
- Laden height at centre of front axle(s).
- TB is overall width at rear. (At centre of front axle 255).

Depending on the vehicle configuration a specific option may not be possible. The availability and specification of this vehicle may differ per country. For further information please contact the DAF organisation. Pictures and technical illustrations are not binding in detail and can differ from the standard specification. Subject to modification without prior notice.