

Specification sheet

XD 300

FA 4X2 Rigid, Low Deck



XD

ENGINES

- XD NewGen 300 MX-11 (220 kW / 299 hp)
- XD NewGen 340 MX-11 (251 kW / 341 hp)
- XD NewGen 370 MX-11 (270 kW / 367 hp)
- XD NewGen 410 MX-11 (300 kW / 408 hp)
- XD NewGen 450 MX-11 (330 kW / 449 hp)

GVM¹⁾

- 18000 kg
- Max. front 6700 kg
- Max. rear 11500 kg

GCM²⁾

- 38000 kg

OPTION PACKAGES

Optional

17448 Safety pack **17595** Executive Pack XD/XF

CAB EXTERIOR

Luxurious Day Cab with unrivalled aerodynamics for fuel efficient driving and low CO2 emissions. The huge and deep frontscreen, curved at the sides combined with large side windows offer an unsurpassed direct view for the driver, to enhance road safety. Cab length: 2030 mm; cab width: 2500 mm. Number of cab entrance steps: 2.; Cab suspension mechanical; LED head lights; DAF Corner View.

Optional

07018 Sleeper Cab **01836** LED Skylights
06244 Sleeper High Cab **00949** LED Skylights; aux. LED lights on cab rf, prepared
02952 Chassis front execution: bottom plate aero **01925** Two LED work lamps for cab rear wall
03353 Chassis front execution: protruding **01891** Hazard beacons on cab front, prepared
07586 Chassis front execution: robust **06629** Two hazard beacon lights
01226 Cab suspension air **03232** Front windscreen with solar control foil
03358 External sun visor **03317** Rear window: double glass
03922 Fog lights front **07343** Kerb view window co-driver door
00936 Auxiliary LED lights on cab roof, prepared **01362** DAF Digital Vision System

AERODYNAMICS

Optional

00008 Adj. roof air deflector short Sleeper High Cab **00097** Adj. roof air deflector for Sleeper Cab
00124 Adj. rf air defl.long mid >4m(!) Sleeper High Cab **00020** Adj. roof air deflector long low Sleeper High Cab
01538 Adj. roof air defl. long high >4m(!) Sleeper High **02662** Adj. roof air deflector long mid Sleeper High Cab
00082 Adj. roof air deflector for Day Cab

COLOURS

Cab colour E1980 Crystal White; Chassis colour grey.; Colour of bumper: Crystal White.

CAB INTERIOR

Cab interior trim colour: Luxury; Dashboard finish: Vision; Cab interior decoration: Hexagon; Driver seat: Comfort Air; Co-driver seat: cinema with fabric cover; No dashboard table; Storage compartment in centre; Automatic Temperature Control and airco; No auxiliary cab heater.

Optional

02354 Steering wheel with silver accents **02117** Third seat
02355 Steering wheel, leather **02837** Dashboard table
02353 Cab interior decoration: Argenta **03948** Single drawer
02350 Cab interior decoration: Natura **03954** Refrigerator
07733 Driver seat: Luxury Air **02838** Foam mattress for lower bunk
07736 Driver seat: Super Air **02854** Xtra Comfort mattress for lower bunk
07737 Driver seat: Xtra Leather Air **01775** Xtra Comfort mattress with topper for lower bunk
09541 Arm rest driver seat **06970** Automatic Cab Climate Control
01740 Arm rest at both sides of the driver seat

COMMUNICATION AND DRIVING MANAGEMENT

DAF Connect; Tachograph digital, Stoneridge 1C version G2V2; Speed limiter setting 85 km/h; Eco off 90 km/h; DAF Infotainment Luxury with Luxury speakers; Adaptive Cruise Control with FCW and AEBS-3.

Optional

09681 Preparation for Maut **01915** DAF Infotainment System: Luxury Plus
06211 DAF Infotainment System with FM/DAB/DAB+ radio **06991** Predictive Cruise Control
03470 DAF Infotainment System: Exclusive, prepared

SAFETY AND SECURITY

Lane Departure Warning System; Vehicle Stability Control (VSC); Basic engine immobiliser system; No EC-ADR packages; DAF Side & Turn Assist.

Optional

08631 Air bag (driver) and 2 seat belt tensioners **00795** Safety regulations EC ADR

SUSPENSION AND AXLES

Front: 8.00 t, air suspension, 161N; Rear axle load 11.50 t; Rear: air suspension, SR1344; No lifting device.

Optional

04588 Rear axle SR1347 **08191** Axle load monitoring

WHEELS AND TYRES

Driven rear axle(s): 295/60R22.5; F1,295/60R22.5GO FMAXS2 150/147 K Steering BCA; R1,295/60R22.5GO FMXDA 150/147 K Traction CBA 3P.

Optional

16152 Tyre makes and types

DRIVELINE

Engine MX-11, multi torque 6 cylinder diesel engine, 10.8 litres. Output 220 kW (299 hp) at 1600 rpm. Max. torque 1450 Nm at 900-1400 rpm.; Exhaust emission Euro 6; Eco fuel; 12-speed TraXon 12TX1810 OD, 12.92-0.77; Gearbox ratio 12.92-0.77; Rear axle ratio 2.64.

Optional

07110 Eco performance **08371** Long Combination Vehicle (LCV)
02313 Gearbox direct drive **09638** Off-road applications
01514 Urge-to-move **01498** Off-road applications with Rock-free function
07101 Standard transport, Lite version **02843** Mechanical differential lock
09637 Liquid transport

BRAKE SYSTEM

Exhaust brake; Ventilated disc brakes front and rear. Dual circuit air system with electronic control (EBS)..

Optional

09921 MX Engine Brake **01572** Park brake control electro-pneumatic
02715 ZF Intarder **01497** Park brake control pneumatic with spoken warning

CHASSIS

Wheelbase 4.90 m / rear overhang 2.35 m; Side member height 260 mm; Standard component location; 450 l alu fuel tank LH, height 505 mm; Tank for AdBlue® 45 l, left-hand side chassis; Front underrun protection (FUP); Spray suppression.

Optional

- 16157** Fuel tanks, material and sizes
03323 Rear light with LEDs
07071 Spare wheel carrier right-hand side

DRAWBAR AND TRAILER EQUIPMENT

Closing member.

Optional

- 07033** Trailer coupling Ringfeder D=13.7
08027 Trailer coupling Rockinger D=20.0
07034 Trailer coupling Ringfeder D=20.0
04659 Trailer cable EBS
08026 Trailer coupling Rockinger D=13.0

BODIES AND PREPARATIONS FOR BODYING

Application connector chassis.

Optional

- 09421** Additional spare wiring
08121 Tail lift application

POWER TAKE-OFF (PTO)

Optional

- 16148** PTO types and positions

24V POWER SUPPLY

Alternator 110 A, batteries 2x 140 Ah..

Optional

- 04492** Alternator 130 A
08775 Alternator 150 A
08797 Batteries 2x175Ah
07671 Batteries 2x210Ah AGM C-type
06440 Batteries 2x230Ah

GVM AND GCM

Chassis weight related technical GVM max 19500 kg; Driveline related max GCM 38000 kg class 2.

APPLICATION CONDITIONS

Air intake front.

Optional

- 08400** Silent mode
02260 Extra cab insulation
03648 Cyclonic air intake high
06614 Anti-dust blow-up shield

SERVICE AND MAINTENANCE

Standard Warranty takes care of 1 year complete vehicle as supplied by the OEM (excl. real wear parts), 2nd year driveline and 1st year breakdown.; ITS service.

Optional

- 08311** Service interval extended

VEHICLE DELIVERY

Minimum toolkit.

Optional

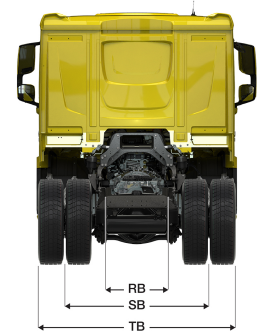
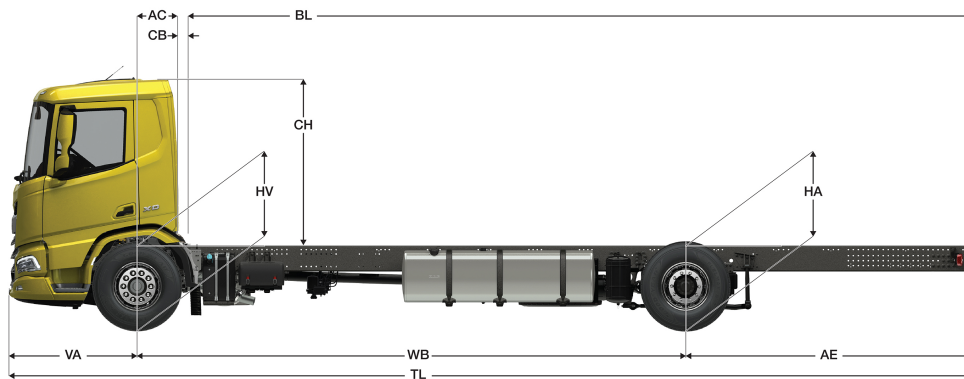
- 07569** Lifting jack



Go to [DAF.com](https://www.daf.com) to configure your own perfect DAF.

XD 300

FA 4X2 Rigid, Low Deck



	Wheelbase - AE ⁵⁾		Unladen weight ¹⁾			Gross Carrying Capacity			Variable dimensions									
	WB	AE ⁵⁾	Front	Rear	Total	Front	Rear	Total	AC	CB ⁶⁾	CH ⁷⁾	BL ⁸⁾	BL	TL	HA ⁹⁾	HA ¹⁰⁾	TK ¹¹⁾	TW ¹²⁾
DAY CAB	4,90	2,35	4889	2109	6998	1811	9391	11002	0,50	0,07	2,06	7,07	7,07	8,78	0,88	0,88	16,34	17,78
	5,40	2,65	4929	2251	7180	1771	9249	10820	0,50	0,07	2,06	7,94	7,94	9,58	0,88	0,88	17,65	19,10
	5,70	2,85	4934	2305	7239	1766	9195	10761	0,50	0,07	2,06	8,44	8,44	10,08	0,88	0,88	18,43	19,89
	6,10	3,10	4935	2369	7303	1765	9131	10697	0,50	0,07	2,06	9,09	9,09	10,73	0,88	0,88	19,48	20,95
SLEEPER CAB	4,90	2,35	4991	2110	7102	1709	9390	10898	0,83	0,07	2,06	6,50	6,50	8,78	0,88	0,88	16,34	17,77
	5,40	2,65	5032	2252	7284	1668	9248	10716	0,83	0,07	2,06	7,36	7,36	9,58	0,88	0,88	17,64	19,10
	5,70	2,85	5037	2306	7343	1663	9194	10657	0,83	0,07	2,06	7,86	7,86	10,08	0,88	0,88	18,43	19,89
	6,10	3,10	5038	2370	7407	1662	9130	10593	0,83	0,07	2,06	8,52	8,52	10,73	0,88	0,88	19,48	20,95
SLEEPER HIGH CAB	4,90	2,35	5022	2110	7131	1678	9390	10869	0,83	0,07	2,54	6,52	6,52	8,78	0,88	0,88	16,34	17,77
	5,40	2,65	5062	2251	7314	1638	9249	10686	0,83	0,07	2,54	7,39	7,39	9,58	0,88	0,88	17,64	19,10
	5,70	2,85	5067	2306	7373	1633	9194	10627	0,83	0,07	2,54	7,89	7,89	10,08	0,88	0,88	18,43	19,89
	6,10	3,10	5068	2369	7437	1632	9131	10563	0,83	0,07	2,54	8,56	8,56	10,73	0,88	0,88	19,48	20,95

OTHER DIMENSIONS VA: 1,53 HV¹³⁾: 0,88 HV¹⁴⁾: 0,87 RB: 0,79 SB: 1,82 TB¹⁵⁾: 2,46

- GVM in conformity with registration documents.
- GCM in conformity with registration documents.
- Axle load with standard tyre size.
- Chassis and cab weight calculated with: Standard specification items only with 450 litres of fuel, 45 litres of AdBlue® and driver of 90 kg, tolerance ± 3%. Changing of the specification can have major impact on vehicle weight.
- Other AE dimensions may be available for shown WB. Modify rear overhang to the calculated body length.
- CB is based on standard air intake and/or exhaust.
- Cab height is measured from frame member to closed cabin roof hatch.
- Calculate customer specific body length with TOPEC. Body lengths shown based on evenly distributed load at max axle load.
- Unladen height at centre of driven axle(s).
- Laden height at centre of driven axle(s).
- TK = turning circle between kerbs.
- TW = turning circle between walls.
- Unladen height at centre of front axle(s).
- Laden height at centre of front axle(s).
- TB is overall width at rear. (At centre of front axle 255).

Depending on the vehicle configuration a specific option may not be possible. The availability and specification of this vehicle may differ per country. For further information please contact the DAF organisation. Pictures and technical illustrations are not binding in detail and can differ from the standard specification. Subject to modification without prior notice.