

Specification sheet

XD 300

FAT 6X4 Rigid



XD

ENGINES

- XD NewGen 300 MX-11 (220 kW / 299 hp)
- XD NewGen 340 MX-11 (251 kW / 341 hp)
- XD NewGen 370 MX-11 (270 kW / 367 hp)
- XD NewGen 410 MX-11 (300 kW / 408 hp)
- XD NewGen 450 MX-11 (330 kW / 449 hp)

GVM¹⁾

- 26000 kg
- Max. front 8000 kg
- Max. rear 19000 kg

GCM²⁾

- 32000 kg

016F0141AAAA - 202345C - 18-08-2023

DAF Trucks Ltd, UK, Haddenham, HP17 8LJ, www.daf.co.uk

OPTION PACKAGES

Optional

17448 Safety pack **17595** Executive Pack XD/XF

CAB EXTERIOR

Luxurious Day Cab with unrivalled aerodynamics for fuel efficient driving and low CO2 emissions. The huge and deep frontscreen, curved at the sides combined with large side windows offer an unsurpassed direct view for the driver, to enhance road safety. Cab length: 2030 mm; cab width: 2500 mm. Number of cab entrance steps: 2.; Cab suspension mechanical; LED head lights; DAF Corner View.

Optional

07018 Sleeper Cab **01836** LED Skylights
06244 Sleeper High Cab **00949** LED Skylights; aux. LED
02889 Chassis front execution: lights on cab rf, prepared
no bottom plate **01925** Two LED work lamps for
cab rear wall
02952 Chassis front execution: **01891** Hazard beacons on cab
bottom plate aero front, prepared
03353 Chassis front execution: **06629** Two hazard beacon lights
protruding **03232** Front windscreen with
robust solar control foil
07586 Chassis front execution: **03317** Rear window: double
robust glass
01226 Cab suspension air **07343** Kerb view window co-
driver door
03358 External sun visor **01362** DAF Digital Vision System
03922 Fog lights front
00936 Auxiliary LED lights on cab roof, prepared

AERODYNAMICS

Optional

00008 Adj. roof air deflector **00097** Adj. roof air deflector for
short Sleeper High Cab Sleeper Cab
00124 Adj. rf air defl.long mid **00020** Adj. roof air deflector long
>4m(!) Sleeper High Cab low Sleeper High Cab
01538 Adj. roof air defl. long high **02662** Adj. roof air deflector long
>4m(!) Sleeper High mid Sleeper High Cab
00082 Adj. roof air deflector for Day Cab

COLOURS

Cab colour E1980 Crystal White; Chassis colour grey.; Colour of bumper: Crystal White.

CAB INTERIOR

Cab interior trim colour: Luxury; Dashboard finish: Vision; Cab interior decoration: Hexagon; Driver seat: Comfort Air; Co-driver seat: cinema with fabric cover; No dashboard table; Storage compartment in centre; Automatic Temperature Control and aircoc; No auxiliary cab heater.

Optional

02354 Steering wheel with silver **02117** Third seat
accents **02837** Dashboard table
02355 Steering wheel, leather **03948** Single drawer
02353 Cab interior decoration: **03954** Refrigerator
Argenta **02838** Foam mattress for lower
bunk
02350 Cab interior decoration: **02854** Xtra Comfort mattress for
Natura lower bunk
07733 Driver seat: Luxury Air **01775** Xtra Comfort mattress
with topper for lower bunk
07736 Driver seat: Super Air **06970** Automatic Cab Climate
07737 Driver seat: Xtra Leather **Control**
Air
09541 Arm rest driver seat
01740 Arm rest at both sides of the driver seat

COMMUNICATION AND DRIVING MANAGEMENT

DAF Connect; Tachograph digital, Stoneridge 1C version G2V2; Speed limiter setting 85 km/h; Eco off 90 km/h; DAF Infotainment Luxury with Luxury speakers; Adaptive Cruise Control with FCW and AEBS-3.

Optional

09681 Preparation for Maut **01915** DAF Infotainment System:
Luxury Plus
06211 DAF Infotainment System with FM/DAB/DAB+ radio **06991** Predictive Cruise Control
03470 DAF Infotainment System: Exclusive, prepared

SAFETY AND SECURITY

Lane Departure Warning System; Vehicle Stability Control (VSC); Basic engine immobiliser system; No EC-ADR packages; DAF Side & Turn Assist.

Optional

08631 Air bag (driver) and 2 seat **00795** Safety regulations EC
belt tensioners ADR
06410 Safe Load Pass preparation

SUSPENSION AND AXLES

Front: 8.00 t, parabolic, 163N; Rear axle load 9.50+ 9.50 t; Rear: 19.00 t, trapezium, SR1132T; No lifting device.

Optional

01769 Front axle load 7.50 t **01372** Rear springs air
06257 Front axle load 9.00 t **04549** Rear axle load 10.50+
10.50 t
07494 Rear axle HR1670T **04563** Rear axle load 13.00+
13.00 t
02788 Rear axle SR1360T **08191** Axle load monitoring

WHEELS AND TYRES

Driven rear axle(s): 315/70R22.5; F1,315/70R22.5GO AFMAXS 156/150 L Steering ABA; R1,315/70R22.5GO AFMAXD 154/150 L Traction ACA.

Optional

16152 Tyre makes and types

DRIVELINE

Engine MX-11, multi torque 6 cylinder diesel engine, 10.8 litres. Output 220 kW (299 hp) at 1600 rpm. Max. torque 1450 Nm at 900-1400 rpm.; Exhaust emission Euro 6; Eco fuel; 12-speed TraXon 12TX1810 OD, 12.92-0.77; Gearbox ratio 12.92-0.77; Rear axle ratio 3.73.

Optional

07110 Eco performance **09638** Off-road applications
02313 Gearbox direct drive **01498** Off-road applications with
Rock-free function
01514 Urge-to-move **08370** Refuse collection
09637 Liquid transport

BRAKE SYSTEM

Exhaust brake; Ventilated disc brakes at front, rear tandem axle with drum brakes. Dual circuit air system with electronic control (EBS)..

Optional

09921 MX Engine Brake **01497** Park brake control
pneumatic with spoken
warning
02715 ZF Intarder **06127** Driven rear axle with disc
brakes
01572 Park brake control electro
-pneumatic

CHASSIS

Wheelbase 4.55 m / rear overhang 1.65 m; Side member height 310 mm; Standard component location; 340 l alu fuel tank LH, height 620 mm; Tank for AdBlue® 45 l, left-hand side chassis; Front underrun protection (FUP); Spray suppression.

Optional

- 16157** Fuel tanks, material and sizes
07070 Spare wheel carrier left-hand side
03323 Rear light with LEDs

DRAWBAR AND TRAILER EQUIPMENT

Closing member.

Optional

- 07033** Trailer coupling Ringfeder D=13.7
07034 Trailer coupling Ringfeder D=20.0
08026 Trailer coupling Rockinger D=13.0
08027 Trailer coupling Rockinger D=20.0
04659 Trailer cable EBS

BODIES AND PREPARATIONS FOR BODYING

Application connector chassis.

Optional

- 09421** Additional spare wiring
09240 Application connector for refuse collector

POWER TAKE-OFF (PTO)

Optional

- 16148** PTO types and positions

24V POWER SUPPLY

Alternator 110 A, batteries 2x 140 Ah..

Optional

- 04492** Alternator 130 A
08775 Alternator 150 A
08797 Batteries 2x175Ah
07671 Batteries 2x210Ah AGM C-type
06440 Batteries 2x230Ah

GVM AND GCM

Chassis weight related technical GVM max 26000 kg; Driveline related max GCM 32000 kg class 2.

APPLICATION CONDITIONS

Air intake front.

Optional

- 02260** Extra cab insulation
03648 Cyclonic air intake high
06614 Anti-dust blow-up shield

SERVICE AND MAINTENANCE

Standard Warranty takes care of 1 year complete vehicle as supplied by the OEM (excl. real wear parts), 2nd year driveline and 1st year breakdown.; ITS service.

Optional

- 08311** Service interval extended

VEHICLE DELIVERY

Minimum toolkit.

Optional

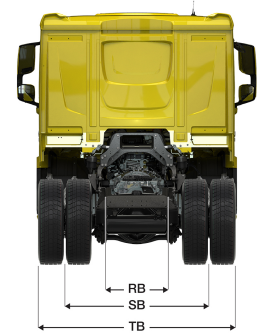
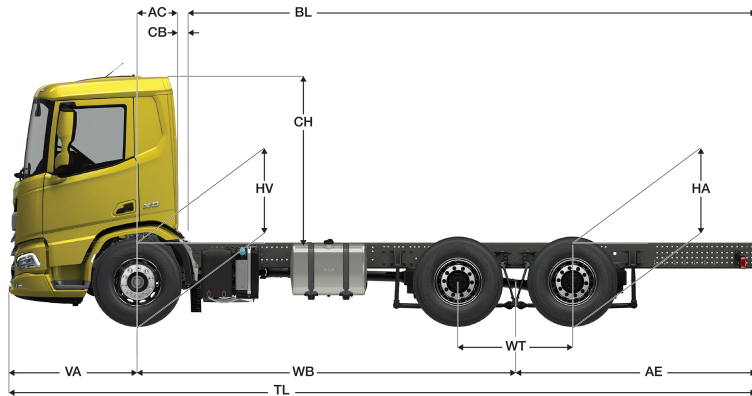
- 07569** Lifting jack



Go to [DAF.com](https://www.daf.com) to configure your own perfect DAF.

XD 300

FAT 6X4 Rigid



	Wheelbase - AE		Unladen weight ¹⁾			Gross Carrying Capacity			Variable dimensions									
	WB	AE ⁵⁾	Front	Rear	Total	Front	Rear	Total	AC	CB ⁶⁾	CH	BL ⁷⁾	BL	TL	HA ⁸⁾	HA ⁹⁾	TK ¹⁰⁾	TW ¹¹⁾
DAY CAB	4,05	1,65	4893	3984	8876	3107	15016	17124	0,50	0,07	2,01	5,55	5,55	7,23	1,13	1,09	14,14	15,54
	4,55	1,65	4812	3608	8420	3188	15392	17580	0,50	0,07	2,01	6,31	6,40	7,73	1,15	1,10	15,44	16,86
	5,00	1,65	5003	4158	9160	2997	14842	16840	0,50	0,07	2,01	7,15	7,15	8,18	1,13	1,09	16,61	18,05
	5,55	3,20	4972	4543	9514	3028	14457	16486	0,50	0,07	2,01	7,99	7,99	10,28	1,13	1,08	18,05	19,50
SLEEPER CAB	4,05	1,65	4994	3987	8980	3006	15013	17020	0,83	0,07	2,01	4,92	4,92	7,23	1,13	1,08	14,14	15,54
	4,55	1,65	4913	3610	8524	3087	15390	17476	0,83	0,07	2,01	5,70	5,79	7,73	1,15	1,09	15,44	16,86
	5,00	1,65	5104	4160	9264	2896	14840	16736	0,83	0,07	2,01	6,54	6,54	8,18	1,13	1,09	16,61	18,05
	5,55	3,20	5073	4545	9619	2927	14455	16381	0,83	0,07	2,01	7,39	7,39	10,28	1,13	1,08	18,05	19,50
SLEEPER HIGH CAB	4,05	1,65	5025	3985	9010	2975	15015	16990	0,83	0,07	2,49	4,93	4,93	7,23	1,13	1,08	14,14	15,54
	4,55	1,65	4944	3609	8553	3056	15391	17447	0,83	0,07	2,49	5,71	5,80	7,73	1,15	1,09	15,44	16,86
	5,00	1,65	5135	4159	9294	2865	14841	16706	0,83	0,07	2,49	6,55	6,55	8,18	1,13	1,09	16,61	18,05
	5,55	3,20	5104	4544	9648	2896	14456	16352	0,83	0,07	2,49	7,42	7,42	10,28	1,13	1,08	18,05	19,50

OTHER DIMENSIONS VA: 1,53 WT: 1,40 HV¹²⁾: 1,02 HV¹³⁾: 0,92 RB: 0,79 SB: 1,82 TB¹⁴⁾: 2,48

1) GVM in conformity with registration documents.
 2) GCM in conformity with registration documents.
 3) Axle load with standard tyre size.
 4) Chassis and cab weight calculated with: Standard specification items only with 340 litres of fuel, 45 litres of AdBlue® and driver of 90 kg, tolerance ± 3%. Changing of the specification can have major impact on vehicle weight.
 5) Other AE dimensions may be available for shown WB. Modify rear overhang to the calculated body length.
 6) CB is based on standard air intake and/or exhaust.
 7) Calculate customer specific body length with TOPEC. Body lengths shown based on evenly distributed load at max axle load.

8) Unladen height at centre of driven axle(s).
 9) Laden height at centre of driven axle(s).
 10) TK = turning circle between kerbs.
 11) TW = turning circle between walls.
 12) Unladen height at centre of front axle(s).
 13) Laden height at centre of front axle(s).
 14) TB is overall width at rear. (At centre of front axle 255).

Depending on the vehicle configuration a specific option may not be possible. The availability and specification of this vehicle may differ per country. For further information please contact the DAF organisation. Pictures and technical illustrations are not binding in detail and can differ from the standard specification. Subject to modification without prior notice.