

Specification sheet

XD 370

FAW 8X4 Rigid



XD

ENGINES

- XD NewGen 370 MX-11 (270 kW / 367 hp)
- XD NewGen 410 MX-11 (300 kW / 408 hp)
- XD NewGen 450 MX-11 (330 kW / 449 hp)

GVM¹⁾

- 31000 kg
- Max. front 8000 kg
- Max. rear 23000 kg

GCM²⁾

- 42000 kg

016F0151WAAA - 202345C - 18-08-2023

DAF Trucks Ltd, UK, Haddenham, HP17 8LJ, www.daf.co.uk

OPTION PACKAGES

Optional

17448 Safety pack **17595** Executive Pack XD/XF

CAB EXTERIOR

Luxurious Day Cab with unrivalled aerodynamics for fuel efficient driving and low CO2 emissions. The huge and deep frontscreen, curved at the sides combined with large side windows offer an unsurpassed direct view for the driver, to enhance road safety. Cab length: 2030 mm; cab width: 2500 mm. Number of cab entrance steps: 2.; Cab suspension mechanical; LED head lights; DAF Corner View.

Optional

07018 Sleeper Cab **01836** LED Skylights
06244 Sleeper High Cab **00949** LED Skylights; aux. LED lights on cab rf, prepared
02889 Chassis front execution: no bottom plate **01925** Two LED work lamps for cab rear wall
02952 Chassis front execution: bottom plate aero **01891** Hazard beacons on cab front, prepared
03353 Chassis front execution: protruding **06629** Two hazard beacon lights
07586 Chassis front execution: robust **03232** Front windscreen with solar control foil
01226 Cab suspension air **03317** Rear window: double glass
03358 External sun visor **07343** Kerb view window co-driver door
03922 Fog lights front **01362** DAF Digital Vision System
00936 Auxiliary LED lights on cab roof, prepared

AERODYNAMICS

Optional

00008 Adj. roof air deflector short Sleeper High Cab **00097** Adj. roof air deflector for Sleeper Cab
00124 Adj. rf air defl.long mid >4m(!) Sleeper High Cab **00020** Adj. roof air deflector long low Sleeper High Cab
01538 Adj. roof air defl. long high >4m(!) Sleeper High **02662** Adj. roof air deflector long mid Sleeper High Cab
00082 Adj. roof air deflector for Day Cab

COLOURS

Cab colour E1980 Crystal White; Chassis colour grey.; Colour of bumper: Crystal White.

CAB INTERIOR

Cab interior trim colour: Luxury; Dashboard finish: Vision; Cab interior decoration: Hexagon; Driver seat: Comfort Air; Co-driver seat: cinema with fabric cover; No dashboard table; Storage compartment in centre; Automatic Temperature Control and aircoc; No auxiliary cab heater.

Optional

02354 Steering wheel with silver accents **02117** Third seat
02355 Steering wheel, leather **02837** Dashboard table
02353 Cab interior decoration: Argenta **03948** Single drawer
02350 Cab interior decoration: Natura **03954** Refrigerator
07733 Driver seat: Luxury Air **02838** Foam mattress for lower bunk
07736 Driver seat: Super Air **02854** Xtra Comfort mattress for lower bunk
07737 Driver seat: Xtra Leather Air **01775** Xtra Comfort mattress with topper for lower bunk
09541 Arm rest driver seat **06970** Automatic Cab Climate Control
01740 Arm rest at both sides of the driver seat

COMMUNICATION AND DRIVING MANAGEMENT

DAF Connect; Tachograph digital, Stoneridge 1C version G2V2; Speed limiter setting 85 km/h; Eco off 90 km/h; DAF Infotainment Luxury with Luxury speakers; Adaptive Cruise Control (ACC) with FCW.

Optional

09681 Preparation for Maut **09908** Cruise control
06211 DAF Infotainment System with FM/DAB/DAB+ radio **08023** Adaptive Cruise Control with FCW and AEBS-3
03470 DAF Infotainment System: Exclusive, prepared **06991** Predictive Cruise Control
01915 DAF Infotainment System: Luxury Plus

SAFETY AND SECURITY

Lane Departure Warning System; No vehicle stability control; Basic engine immobiliser system; No EC-ADR packages; DAF Side & Turn Assist.

Optional

08631 Air bag (driver) and 2 seat belt tensioners **00795** Safety regulations EC ADR

SUSPENSION AND AXLES

Front: 8.00 t, parabolic, 163N; Rear axle load 13.00+13.00 t; Rear: 34.00 t, air suspension, SR1360T; Trailing axle load 8.0t; Lifting device.

Optional

06257 Front axle load 9.00 t **07494** Rear axle HR1670T
06095 Front axle load 10.00 t **08191** Axle load monitoring

WHEELS AND TYRES

Driven rear axle(s): 315/70R22.5; F1,315/70R22.5GO AFMAXS 156/150 L Steering ABA; R1,315/70R22.5GO AFMAXD 154/150 L Traction ACA; R2,315/70R22.5GO AFMAXS 156/150 L Steering ABA.

Optional

16152 Tyre makes and types

DRIVELINE

Engine MX-11, multi torque 6 cylinder diesel engine, 10.8 litres. Output 270 kW (367 hp) at 1600 rpm. Maximum torque 1950 Nm at 900-1125 rpm.; Exhaust emission Euro 6; Eco fuel; 12-speed TraXon 12TX2010 DD, 16.69-1.00; Gearbox ratio 16.69-1.00; Rear axle ratio 2.57.

Optional

07110 Eco performance **09638** Off-road applications
02314 Gearbox overdrive **01498** Off-road applications with Rock-free function
01514 Urge-to-move **03720** No ASR
09637 Liquid transport

BRAKE SYSTEM

MX Engine Brake; Ventilated disc brakes front and rear. Dual circuit air system with electronic control (EBS)..

Optional

09920 No MX Engine Brake **01497** Park brake control pneumatic with spoken warning
02715 ZF Intarder
01572 Park brake control electro-pneumatic **00929** Driven rear axle with drum brakes

CHASSIS

Wheelbase 4.55 m / rear overhang 2.05 m; Side member height 310 mm; Standard component location; 340 l alu fuel tank LH, height 620 mm; Tank for AdBlue® 45 l, left-hand side chassis; Front underrun protection (FUP); Spray suppression.

Optional

16157 Fuel tanks, material and sizes
03323 Rear light with LEDs

DRAWBAR AND TRAILER EQUIPMENT

Closing member.

Optional

07033 Trailer coupling Ringfeder D=13.7
08027 Trailer coupling Rockinger D=20.0
07034 Trailer coupling Ringfeder D=20.0
04659 Trailer cable EBS
08026 Trailer coupling Rockinger D=13.0

BODIES AND PREPARATIONS FOR BODYING

Application connector chassis.

Optional

09421 Additional spare wiring

POWER TAKE-OFF (PTO)

Optional

16148 PTO types and positions

24V POWER SUPPLY

Alternator 130 A, batteries 2x 140 Ah..

Optional

08775 Alternator 150 A
08797 Batteries 2x175Ah
07671 Batteries 2x210Ah AGM C-type
06440 Batteries 2x230Ah

GVM AND GCM

Chassis weight related technical GVM max 42000 kg; Driveline related max GCM 38000 kg class 2.

APPLICATION CONDITIONS

Air intake front.

Optional

02260 Extra cab insulation
03648 Cyclonic air intake high
06614 Anti-dust blow-up shield

SERVICE AND MAINTENANCE

Standard Warranty takes care of 1 year complete vehicle as supplied by the OEM (excl. real wear parts), 2nd year driveline and 1st year breakdown.; ITS service.

Optional

08311 Service interval extended

VEHICLE DELIVERY

Minimum toolkit.

Optional

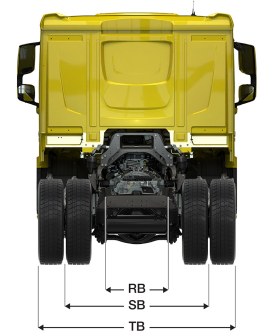
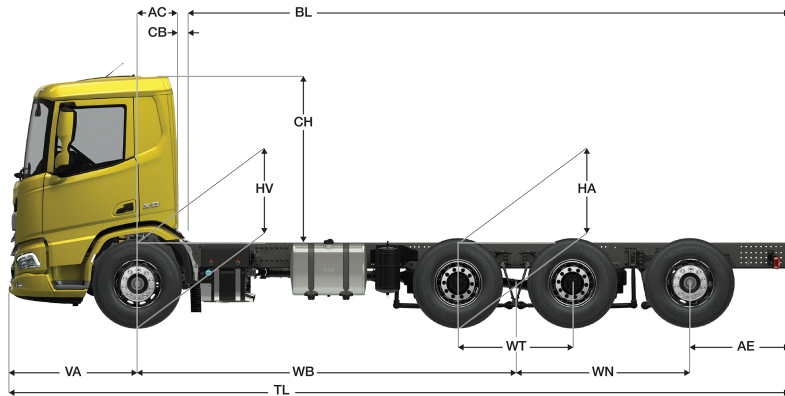
07569 Lifting jack



Go to [DAF.com](https://www.daf.com) to configure your own perfect DAF.

XD 370

FAW 8X4 Rigid



	Wheelbase - AE		Unladen weight ¹⁾			Gross Carrying Capacity			Variable dimensions									
	WB	AE ⁵⁾	Front	Rear	Total	Front	Rear	Total	AC	CB ⁶⁾	CH	BL ⁷⁾	BL	TL	HA ⁸⁾	HA ⁹⁾	TK ¹⁰⁾	TW ¹¹⁾
DAY CAB	4,05	1,20	4840	4835	9675	3160	18165	21324	0,50	0,07	2,01	6,47	6,47	8,89	1,04	1,02	14,14	15,54
	4,30	2,05	4698	4851	9549	3302	18148	21450	0,50	0,07	2,01	6,81	6,81	9,99	1,04	1,01	14,79	16,20
	4,55	2,05	4754	4923	9677	3246	18077	21323	0,50	0,07	2,01	7,24	7,24	10,24	1,04	1,01	15,44	16,86
	4,90	2,05	4770	4964	9734	3230	18036	21266	0,50	0,07	2,01	7,80	7,80	10,59	1,04	1,01	16,35	17,79
	5,55	2,05	4937	5256	10192	3063	17744	20807	0,50	0,07	2,01	8,91	8,91	11,24	1,03	1,02	18,05	19,50
SLEEPER CAB	4,05	1,20	4941	4838	9778	3059	18162	21221	0,83	0,07	2,01	5,86	5,86	8,89	1,04	1,01	14,14	15,54
	4,30	2,05	4799	4854	9653	3201	18145	21346	0,83	0,07	2,01	6,19	6,19	9,99	1,04	1,01	14,79	16,20
	4,55	2,05	4856	4926	9781	3144	18074	21218	0,83	0,07	2,01	6,61	6,61	10,24	1,04	1,01	15,44	16,86
	4,90	2,05	4872	4966	9838	3128	18033	21162	0,83	0,07	2,01	7,19	7,19	10,59	1,04	1,01	16,35	17,79
	5,55	2,05	5038	5258	10296	2962	17741	20704	0,83	0,07	2,01	8,31	8,31	11,24	1,03	1,02	18,05	19,50
SLEEPER HIGH CAB	4,05	1,20	4971	4837	9808	3029	18162	21192	0,83	0,07	2,49	5,87	5,87	8,89	1,04	1,01	14,14	15,54
	4,30	2,05	4830	4854	9683	3170	18146	21316	0,83	0,07	2,49	6,21	6,21	9,99	1,04	1,01	14,79	16,20
	4,55	2,05	4886	4925	9811	3114	18075	21189	0,83	0,07	2,49	6,63	6,63	10,24	1,04	1,01	15,44	16,86
	4,90	2,05	4902	4966	9868	3098	18034	21132	0,83	0,07	2,49	7,20	7,20	10,59	1,04	1,01	16,35	17,79
	5,55	2,05	5068	5258	10325	2932	17742	20674	0,83	0,07	2,49	8,32	8,32	11,24	1,03	1,02	18,05	19,50

OTHER DIMENSIONS VA: 1.53 WT: 1.40 WN: 2.11 HV¹²⁾: 1.02 HV¹³⁾: 0.97 RB: 0.79 SB: 1.82 TB¹⁴⁾: 2.48

- GVM in conformity with registration documents.
- GCM in conformity with registration documents.
- Axle load with standard tyre size.
- Chassis and cab weight calculated with: Standard specification items only with 340 litres of fuel, 45 litres of AdBlue® and driver of 90 kg, tolerance ± 3%. Changing of the specification can have major impact on vehicle weight.
- Other AE dimensions may be available for shown WB. Modify rear overhang to the calculated body length.
- CB is based on standard air intake and/or exhaust.
- Calculate customer specific body length with TOPEC. Body lengths shown based on evenly distributed load at max axle load.
- Unladen height at centre of driven axle(s).
- Laden height at centre of driven axle(s).
- TK = turning circle between kerbs.
- TW = turning circle between walls.
- Unladen height at centre of front axle(s).
- Laden height at centre of front axle(s).
- TB is overall width at rear. (At centre of front axle 255).

Depending on the vehicle configuration a specific option may not be possible. The availability and specification of this vehicle may differ per country. For further information please contact the DAF organisation. Pictures and technical illustrations are not binding in detail and can differ from the standard specification. Subject to modification without prior notice.