

Specification sheet

XD 370

FAD 8X4 Rigid



XD

ENGINES

- XD NewGen 370 MX-11 (270 kW / 367 hp)
- XD NewGen 410 MX-11 (300 kW / 408 hp)
- XD NewGen 450 MX-11 (330 kW / 449 hp)

GVM¹⁾

32000 kg

Max. front 14200 kg

Max. rear 19000 kg

GCM²⁾

35500 kg

016F0171AAAA - 202345C - 18-08-2023

DAF Trucks Ltd, UK, Haddenham, HP17 8LJ, www.daf.co.uk

OPTION PACKAGES

Optional

17448 Safety pack **17595** Executive Pack XD/XF

CAB EXTERIOR

Luxurious Day Cab with unrivalled aerodynamics for fuel efficient driving and low CO2 emissions. The huge and deep frontscreen, curved at the sides combined with large side windows offer an unsurpassed direct view for the driver, to enhance road safety. Cab length: 2030 mm; cab width: 2500 mm. Number of cab entrance steps: 3.; Cab suspension mechanical; LED head lights; DAF Corner View.

Optional

07018 Sleeper Cab **00949** LED Skylights; aux. LED lights on cab rf, prepared
06244 Sleeper High Cab **01925** Two LED work lamps for cab rear wall
03353 Chassis front execution: protruding **01891** Hazard beacons on cab front, prepared
07586 Chassis front execution: robust **06629** Two hazard beacon lights
01226 Cab suspension air **03232** Front windscreen with solar control foil
03358 External sun visor **03317** Rear window: double glass
03922 Fog lights front **07343** Kerb view window co-driver door
00936 Auxiliary LED lights on cab roof, prepared **01362** DAF Digital Vision System
01836 LED Skylights

AERODYNAMICS

Optional

00008 Adj. roof air deflector short Sleeper High Cab **00082** Adj. roof air deflector for Day Cab
00124 Adj. rf air defl.long mid >4m(!) Sleeper High Cab **00097** Adj. roof air deflector for Sleeper Cab
01538 Adj. roof air defl. long high >4m(!) Sleeper High **00020** Adj. roof air deflector long low Sleeper High Cab

COLOURS

Cab colour E1980 Crystal White; Chassis colour grey.; Colour of bumper: Crystal White.

CAB INTERIOR

Cab interior trim colour: Luxury; Dashboard finish: Vision; Cab interior decoration: Hexagon; Driver seat: Comfort Air; Co-driver seat: cinema with fabric cover; No dashboard table; Storage compartment in centre; Automatic Temperature Control and airco; No auxiliary cab heater.

Optional

02354 Steering wheel with silver accents **02117** Third seat
02355 Steering wheel, leather **02837** Dashboard table
02353 Cab interior decoration: Argenta **03948** Single drawer
02350 Cab interior decoration: Natura **03954** Refrigerator
07733 Driver seat: Luxury Air **02838** Foam mattress for lower bunk
07736 Driver seat: Super Air **02854** Xtra Comfort mattress for lower bunk
07737 Driver seat: Xtra Leather Air **01775** Xtra Comfort mattress with topper for lower bunk
09541 Arm rest driver seat **06970** Automatic Cab Climate Control
01740 Arm rest at both sides of the driver seat

COMMUNICATION AND DRIVING MANAGEMENT

DAF Connect; Tachograph digital, Stoneridge 1C version G2V2; Speed limiter setting 85 km/h; Eco off 90 km/h; DAF Infotainment Luxury with Luxury speakers; Adaptive Cruise Control (ACC) with FCW.

Optional

09681 Preparation for Maut **09908** Cruise control
06211 DAF Infotainment System with FM/DAB/DAB+ radio **08023** Adaptive Cruise Control with FCW and AEBS-3
03470 DAF Infotainment System: Exclusive, prepared **06991** Predictive Cruise Control
01915 DAF Infotainment System: Luxury Plus

SAFETY AND SECURITY

Lane Departure Warning System; No vehicle stability control; Basic engine immobiliser system; No EC-ADR packages; DAF Side & Turn Assist.

Optional

08631 Air bag (driver) and 2 seat belt tensioners **00795** Safety regulations EC ADR

SUSPENSION AND AXLES

Front: 2x 7.10 t, parabolic, 163N; Rear axle load 9.50+ 9.50 t; Rear: 19.00 t, trapezium, SR1132T; No lifting device.

Optional

03280 Front axles load 7.50 + 7.50 t **01372** Rear springs air
08008 Front axles load 8.00 + 8.00 t **04549** Rear axle load 10.50+ 10.50 t
06264 Front axles load 9.00 + 9.00 t **04563** Rear axle load 13.00+ 13.00 t
07494 Rear axle HR1670T **08191** Axle load monitoring
02788 Rear axle SR1360T

WHEELS AND TYRES

Driven rear axle(s): 295/80R22.5; F1,295/80R22.5GO FMAXS2 154/149 M Steering BCA; R1,295/80R22.5GO FMAXD2 152/148 M Traction CBA.

Optional

16152 Tyre makes and types

DRIVELINE

Engine MX-11, multi torque 6 cylinder diesel engine, 10.8 litres. Output 270 kW (367 hp) at 1600 rpm. Maximum torque 1950 Nm at 900-1125 rpm.; Exhaust emission Euro 6; Eco fuel; 12-speed TraXon 12TX2610 OD, 12.92-0.77; Gearbox ratio 12.92-0.77; Rear axle ratio 3.73.

Optional

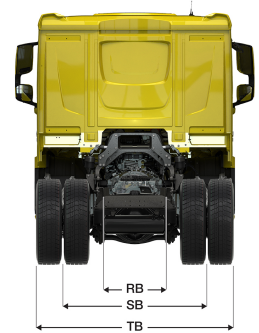
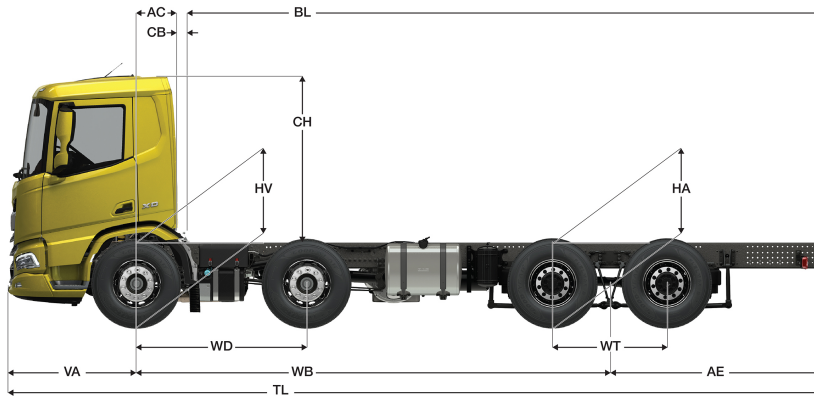
07110 Eco performance **09638** Off-road applications
02313 Gearbox direct drive **01498** Off-road applications with Rock-free function
01514 Urge-to-move **03720** No ASR
09637 Liquid transport

BRAKE SYSTEM

MX Engine Brake; Ventilated disc brakes at front, rear tandem axle with drum brakes. Dual circuit air system with electronic control (EBS)..

XD 370

FAD 8X4 Rigid



	Wheelbase - AE		Unladen weight ¹⁾			Gross Carrying Capacity			Variable dimensions									
	WB	AE ⁵⁾	Front	Rear	Total	Front	Rear	Total	AC	CB ⁶⁾	CH	BL ⁷⁾	BL	TL	HA ⁸⁾	HA ⁹⁾	TK ¹⁰⁾	TW ¹¹⁾
DAY CAB	5,05	1,65	6751	3056	9807	8249	15944	22193	0,50	0,07	2,01	5,98	7,41	8,23	1,15	1,11	18,39	19,70
	5,30	1,65	6797	3218	10015	8203	15782	21985	0,50	0,07	2,01	6,27	7,82	8,48	1,15	1,11	19,12	20,43
	5,70	1,65	6638	2994	9632	7562	16006	22368	0,50	0,07	2,01	7,10	7,59	8,88	1,17	1,11	20,28	21,61
	6,40	2,15	6529	3222	9752	7671	15778	22248	0,50	0,07	2,01	7,96	8,53	10,08	1,17	1,11	22,32	23,66
SLEEPER CAB	5,05	1,65	6885	3033	9918	8115	15967	22082	0,83	0,07	2,01	5,35	6,79	8,23	1,15	1,10	18,39	19,70
	5,30	1,65	6930	3196	10126	8070	15804	21874	0,83	0,07	2,01	5,66	7,21	8,48	1,15	1,10	19,12	20,43
	5,70	1,65	6769	2974	9743	7431	16026	22257	0,83	0,07	2,01	6,48	6,97	8,88	1,17	1,11	20,28	21,61
	6,40	2,15	6657	3205	9862	7543	15795	22138	0,83	0,07	2,01	7,35	7,92	10,08	1,17	1,11	22,32	23,66
SLEEPER HIGH CAB	5,05	1,65	6923	3024	9947	8077	15976	22053	0,83	0,07	2,49	5,35	6,80	8,23	1,15	1,10	18,39	19,70
	5,30	1,65	6967	3188	10155	8033	15812	21845	0,83	0,07	2,49	5,66	7,22	8,48	1,15	1,10	19,12	20,43
	5,70	1,65	6806	2967	9773	7394	16033	22227	0,83	0,07	2,49	6,50	6,99	8,88	1,17	1,11	20,28	21,61
	6,40	2,15	6694	3199	9892	7506	15801	22108	0,83	0,07	2,49	7,35	7,93	10,08	1,17	1,11	22,32	23,66

OTHER DIMENSIONS VA: 1,53 WD: 2,05 WT: 1,40 HV¹²⁾: 1,08 HV¹³⁾: 0,99 RB: 0,79 SB: 1,82 TB¹⁴⁾: 2,45

- GVM in conformity with registration documents.
- GCM in conformity with registration documents.
- Axle load with standard tyre size.
- Chassis and cab weight calculated with: Standard specification items only with 340 litres of fuel, 45 litres of AdBlue® and driver of 90 kg, tolerance ± 3%. Changing of the specification can have major impact on vehicle weight.
- Other AE dimensions may be available for shown WB. Modify rear overhang to the calculated body length.
- CB is based on standard air intake and/or exhaust.
- Calculate customer specific body length with TOPEC. Body lengths shown based on evenly distributed load at max axle load.
- Unladen height at centre of driven axle(s).
- Laden height at centre of driven axle(s).
- TK = turning circle between kerbs.
- TW = turning circle between walls.
- Unladen height at centre of front axle(s).
- Laden height at centre of front axle(s).
- TB is overall width at rear. (At centre of front axle 255).

Depending on the vehicle configuration a specific option may not be possible. The availability and specification of this vehicle may differ per country. For further information please contact the DAF organisation. Pictures and technical illustrations are not binding in detail and can differ from the standard specification. Subject to modification without prior notice.