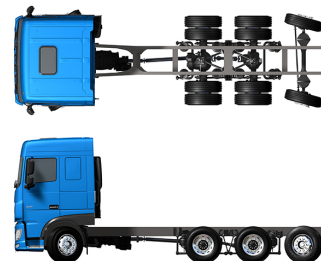


Specification sheet

# XF 430

FAW 8X4 Rigid



## ENGINES

- XF 430 MX-13 (315 kW / 428 hp)
- XF 480 MX-13 (355 kW / 483 hp)
- XF 530 MX-13 (390 kW / 530 hp)

## GVM<sup>1)</sup>

32000 kg

Max. front 9000 kg

Max. rear 23000 kg

## GCM<sup>2)</sup>

44000 kg

016F0759WAAA - 202345C - 18-08-2023

DAF Trucks Ltd, UK, Haddenham, HP17 8LJ, [www.daf.co.uk](http://www.daf.co.uk)

## CAB EXTERIOR

Space Cab with galvanised steel bumper, tinted glass and electric window openers. Main mirrors and wide angle mirrors electrically heated. Cab width 2490 mm.; Cab suspension mechanical; LED daytime running lights; Front view mirror; Central door lock system, 2 keys, 2 RC units.

### Optional

|   |  |
|---|--|
| <b>01760</b> Super Space Cab                      | <b>09982</b> No auxiliary lights in the bumper         |
| <b>01226</b> Cab suspension air                   | <b>09984</b> Fog lights and cornering lights           |
| <b>01174</b> External sun visor green translucent | <b>06593</b> Skylights                                 |
| <b>00847</b> Air horns, single set                | <b>06628</b> One hazard beacon light at co-driver side |
| <b>09006</b> Air horns, double set                | <b>06627</b> One hazard beacon light at driver side    |
| <b>08020</b> LED head lights                      | <b>06629</b> Two hazard beacon lights                  |

## AERODYNAMICS

### Optional

|  |  |
|--|--|
| <b>08823</b> Adj. roof air deflector Space Cab; over 4 m (!) | <b>06904</b> Fixed rf deflector; total height over 4 m |
| <b>08822</b> Adj. roof air deflector for Space Cab           | <b>04906</b> Side collars                              |
| <b>06160</b> Fixed roof air deflector for Super Space Cab    |  |

## COLOURS

Cab colour H3279 Brilliant White; Head lamp panel and bumper: Brilliant White; Chassis colour grey..

### Optional

|   |   |
|---|---|
| <b>07801</b> Cab steps and wing in cab colour | <b>07901</b> Air intake grid cab colour |
|---|---|

## CAB INTERIOR

Cab interior trim colour Dark Sand; Cab interior decoration Delta black; Driver seat: Comfort Air; Co-driver seat: basic; Lower bunk without drawer; Automatic Temperature Control and aircro; Auxiliary cab heater (water); Pollen filter.

### Optional

|  |   |
|--|---|
| <b>09271</b> Steering wheel, leather, colour black | <b>07743</b> Co-driver seat: Luxury Air       |
| <b>07240</b> Steering wheel, leather, Exclusive    | <b>07746</b> Co-driver seat: Super Air        |
| <b>07152</b> Cab interior trim colour Exclusive    | <b>07748</b> Co-driver seat: Xtra Leather Air |
| <b>07592</b> Cab interior decoration Argenta       | <b>00967</b> Seat belts red                   |
| <b>07591</b> Cab interior decoration Rustica       | <b>06539</b> Refrigerator                     |
| <b>07733</b> Driver seat: Luxury Air               | <b>09603</b> Lower bunk with drawer 65 litres |
| <b>07736</b> Driver seat: Super Air                | <b>06784</b> Lower bunk mattress Xtra Comfort |
| <b>07737</b> Driver seat: Xtra Leather Air         | <b>06676</b> PL light in cab ceiling          |
| <b>07741</b> Co-driver seat: Comfort Air           | <b>06970</b> Automatic Cab Climate Control    |

## COMMUNICATION AND DRIVING MANAGEMENT

Tachograph digital, Stoneridge 1C version G2V2; Speed limiter setting 85 km/h; Eco off 90 km/h; Antennas: radio, 2x cellular, GNSS; Cruise control.

### Optional

|   |  |
|---|--|
| <b>09681</b> Preparation for Maut           | <b>09909</b> Adaptive Cruise Control (ACC) with FCW      |
| <b>08305</b> Speaker system with 2 speakers | <b>08023</b> Adaptive Cruise Control with FCW and AEB3-3 |
| <b>07117</b> Radio/USB player, 2 speakers   | <b>06991</b> Predictive Cruise Control                   |

## SAFETY AND SECURITY

Lane Departure Warning System; Vehicle Stability Control (VSC); Basic engine immobiliser system.

### Optional

|  |                                 |
|--|---------------------------------|
| <b>08631</b> Air bag (driver) and 2 seat belt tensioners | <b>09827</b> Side camera system |
| <b>07011</b> DAF Night Lock                              | <b>01725</b> Reverse warning    |
| <b>09828</b> Front camera system                         |                                 |

## SUSPENSION AND AXLES

Front axle load 9.00 t; Rear: 2x 13.00 t, air suspension, SR1360T; Trailing axle load 8.0t.

### Optional

|                                      |                                   |
|--------------------------------------|-----------------------------------|
| <b>06095</b> Front axle load 10.00 t | <b>08191</b> Axle load monitoring |
|--------------------------------------|-----------------------------------|

## WHEELS AND TYRES

Front axle(s): 385/65R22.5; Driven rear axle(s): 315/70R22.5; Disc wheels steel, silvergrey; Wheel protection rings silvergrey.

### Optional

|                                   |
|-----------------------------------|
| <b>16152</b> Tyre makes and types |
|-----------------------------------|

## DRIVELINE

Engine MX-13, multi torque 6 cylinder diesel engine, 12.9 litres. Output 315 kW (428 hp) at 1600 rpm. Maximum torque 2300 Nm at 900-1125 rpm.; Exhaust emission Euro 6; Engine idle shutdown, 5 minutes; Automated gearbox, TraXon, 12 speeds; Gearbox ratio 16.69-1.00; Rear axle ratio 3.09.

### Optional

|   |                                |
|---|--------------------------------|
| <b>04523</b> Manual gearbox, 16 speeds            | <b>02314</b> Gearbox overdrive |
| <b>07103</b> Automated gearbox, TraXon, 16 speeds | <b>03720</b> No ASR            |

## BRAKE SYSTEM

MX Engine Brake; Ventilated disc brakes front and rear. Dual circuit air system with electronic control (EBS). Twin cylinder air compressor with heated dryer and economy mode..

### Optional

|                                 |                          |
|---------------------------------|--------------------------|
| <b>09920</b> No MX Engine Brake | <b>02715</b> ZF Intarder |
|---------------------------------|--------------------------|

## CHASSIS

Wheelbase 4.55 m / rear overhang 2.05 m; Side member height 310 mm; Standard component location; Exhaust pipe horizontal, low; Aluminium fuel tank 340 l, height 620 mm; Tank for AdBlue® 45 l, left-hand side chassis; Front underrun protection (FUP); Spray suppression.

### Optional

|                                   |
|-----------------------------------|
| <b>03323</b> Rear light with LEDs |
|-----------------------------------|

## DRAWBAR AND TRAILER EQUIPMENT

D-value cross member D=13.7; Pneumatic trailer connection C-type; Electric connection 24 V / 2x7 pins.

### Optional

- 07033** Trailer coupling Ringfeder D=13.7      **08027** Trailer coupling Rockinger D=20.0
- 07034** Trailer coupling Ringfeder D=20.0      **04659** Trailer cable EBS
- 08026** Trailer coupling Rockinger D=13.0

## BODIES AND PREPARATIONS FOR BODYING

Application connector on the cab front.

### Optional

- 09050** Application connectors for bb remote control      **06692** Application connector chassis

## POWER TAKE-OFF (PTO)

### Optional

- 16148** PTO types and positions

## 24V POWER SUPPLY

Alternator 120 A, batteries 2x 230 Ah..

### Optional

- 08775** Alternator 150 A      **07671** Batteries 2x210Ah AGM C-type

## GVM AND GCM

Chassis weight related technical GVM max 43000 kg; Driveline related max GCM 61000 kg class 2.

### Optional

- 06280** Driveline related max GCM 63000 kg class 2      **01313** Driveline related max GCM 70000 kg class 2

## APPLICATION CONDITIONS

Air intake high.

### Optional

- 03646** Air intake front      **03648** Cyclonic air intake high

## SERVICE AND MAINTENANCE

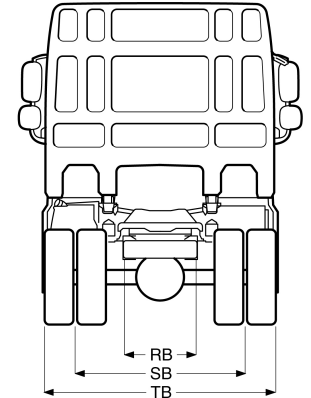
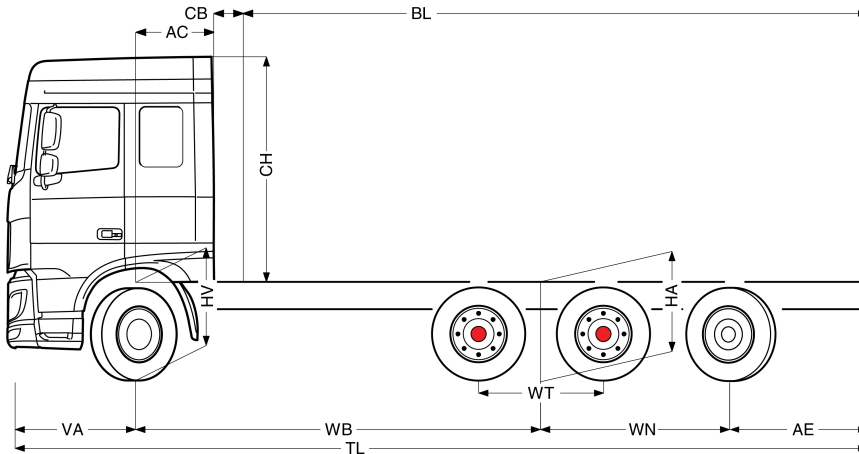
Standard Warranty takes care of 1 year complete vehicle as supplied by the OEM (excl. real wear parts), 2nd year driveline and 1st year breakdown.; ITS service.



Go to [DAF.com](https://www.daf.com) to configure your own perfect DAF.

# XF 430

FAW 8X4 Rigid



|                 | Wheelbase - AE |                  | Unladen weight <sup>1)</sup> |      |       | Gross Carrying Capacity |       |       | Variable dimensions |                  |      |                  |      |       |                  |                  |                   |                   |
|-----------------|----------------|------------------|------------------------------|------|-------|-------------------------|-------|-------|---------------------|------------------|------|------------------|------|-------|------------------|------------------|-------------------|-------------------|
|                 | WB             | AE <sup>5)</sup> | Front                        | Rear | Total | Front                   | Rear  | Total | AC                  | CB <sup>6)</sup> | CH   | BL <sup>7)</sup> | BL   | TL    | HA <sup>8)</sup> | HA <sup>9)</sup> | TK <sup>10)</sup> | TW <sup>11)</sup> |
| SPACE CAB       | 4,05           | 1,20             | 5287                         | 5168 | 10455 | 3713                    | 17832 | 21544 | 0,88                | 0,28             | 2,51 | 5,27             | 5,27 | 8,73  | 1,03             | 1,01             | 14,12             | 15,49             |
|                 | 4,30           | 2,05             | 5138                         | 5193 | 10331 | 3862                    | 17807 | 21668 | 0,88                | 0,28             | 2,51 | 5,60             | 5,60 | 9,83  | 1,03             | 1,01             | 14,77             | 16,15             |
|                 | 4,55           | 2,05             | 5203                         | 5238 | 10441 | 3797                    | 17762 | 21559 | 0,88                | 0,28             | 2,51 | 6,03             | 6,03 | 10,08 | 1,03             | 1,01             | 15,42             | 16,81             |
|                 | 4,90           | 2,05             | 5238                         | 5280 | 10517 | 3762                    | 17720 | 21482 | 0,88                | 0,28             | 2,51 | 6,60             | 6,60 | 10,43 | 1,03             | 1,01             | 16,33             | 17,73             |
|                 | 5,55           | 2,05             | 5423                         | 5557 | 10980 | 3577                    | 17443 | 21020 | 0,88                | 0,28             | 2,51 | 7,71             | 7,71 | 11,08 | 1,03             | 1,01             | 18,03             | 19,45             |
| SUPER SPACE CAB | 4,05           | 1,20             | 5356                         | 5241 | 10597 | 3644                    | 17759 | 21402 | 0,88                | 0,28             | 2,89 | 5,28             | 5,28 | 8,73  | 1,07             | 1,04             | 14,12             | 15,49             |
|                 | 4,30           | 2,05             | 5207                         | 5267 | 10473 | 3793                    | 17733 | 21526 | 0,88                | 0,28             | 2,89 | 5,63             | 5,63 | 9,83  | 1,07             | 1,04             | 14,77             | 16,15             |
|                 | 4,55           | 2,05             | 5278                         | 5311 | 10589 | 3722                    | 17689 | 21411 | 0,88                | 0,28             | 2,89 | 6,05             | 6,05 | 10,08 | 1,07             | 1,04             | 15,42             | 16,81             |
|                 | 4,90           | 2,05             | 5305                         | 5354 | 10659 | 3695                    | 17646 | 21340 | 0,88                | 0,28             | 2,89 | 6,63             | 6,63 | 10,43 | 1,07             | 1,04             | 16,33             | 17,73             |
|                 | 5,55           | 2,05             | 5490                         | 5632 | 11122 | 3510                    | 17368 | 20878 | 0,88                | 0,28             | 2,89 | 7,74             | 7,74 | 11,08 | 1,07             | 1,05             | 18,03             | 19,45             |

OTHER DIMENSIONS VA: 1,37 WT: 1,40 WN: 2,11 HV<sup>12)</sup>: 1,04 HV<sup>13)</sup>: 1,02 RB: 0,79 SB: 1,82 TB<sup>14)</sup>: 2,48

1) GVM in conformity with registration documents.  
 2) GCM in conformity with registration documents.  
 3) Axle load with standard tyre size.  
 5) Other AE dimensions may be available for shown WB. Modify rear overhang to the calculated body length.  
 6) CB is based on standard air intake and/or exhaust.  
 7) Calculate customer specific body length with TOPEC. Body lengths shown based on evenly distributed load at max axle load.

8) Unladen height at centre of driven axle(s).  
 9) Laden height at centre of driven axle(s).  
 10) TK = turning circle between kerbs.  
 11) TW = turning circle between walls.  
 12) Unladen height at centre of front axle(s).  
 13) Laden height at centre of front axle(s).  
 14) TB is overall width at rear. (At centre of front axle 255).

Depending on the vehicle configuration a specific option may not be possible. The availability and specification of this vehicle may differ per country. For further information please contact the DAF organisation. Pictures and technical illustrations are not binding in detail and can differ from the standard specification. Subject to modification without prior notice.

016F0759WAAA - 202345C - 18-08-2023