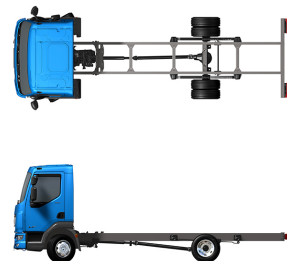


Specification sheet

LF 190

FA 4X2 Rigid, 08t



ENGINES

- LF 170 PX-5 (124 kW / 169 hp)
- LF 190 PX-5 (139 kW / 189 hp)
- LF 210 PX-5 (153 kW / 208 hp)
- LF 230 PX-7 (167 kW / 227 hp)

GVM¹⁾

- 7500 kg
- Max. front 3600 kg
- Max. rear 5000 kg

GCM²⁾

- 7500 kg

016F3602AAAA - 202345C - 18-08-2023

DAF Trucks Ltd, UK, Haddenham, HP17 8LJ, www.daf.co.uk

CAB EXTERIOR

Day Cab with steel bumper, tinted glass and electric window openers. Main mirrors and wide angle mirrors electrically heated. Cab width 2130 mm.; Green tinted glass; Electrically adjustable mirrors; Mirror brackets, body 2.50-2.60 m; Front view mirror.

Optional

02576 Extended Day Cab	07343 Kerb view window co-driver door
02106 Sleeper Cab	00915 Side no glass / rear single glass
01173 Cab suspension mechanical	09101 Green tinted glass, heated
01605 Cab suspension mechanical reinforced	03605 Mirror brackets, body 2.10-2.29 m
09983 Fog lights	09282 Mirror brackets, body 2.30-2.40 m
09984 Fog lights and cornering lights	09283 Mirror brackets, body 2.40-2.50 m

AERODYNAMICS

Optional

09287 Side collars prepared	07112 Side collars long (set)
------------------------------------	--------------------------------------

COLOURS

; Head lamp panel and bumper: Stone Grey; Chassis colour grey..

Optional

06485 Head lamp panel and bumper: cab colour	16153 Cab and chassis colours
---	--------------------------------------

CAB INTERIOR

Right-hand drive (RHD); Mechanically adjustable steering column; Driver seat: air suspended; Co-driver seat: fixed velour; Storage box on engine tunnel.

Optional

01846 Left-hand drive (LHD)	04346 Lower bunk, normal level
09271 Steering wheel, leather, colour black	02213 Air conditioning
03516 Pneumatically adjustable steering column	03703 Auxiliary cab heater Air Top 2000
00967 Seat belts red	04246 Roof hatch, manual control
16158 Seat types	04258 Roof hatch, electric control

COMMUNICATION AND DRIVING MANAGEMENT

FMS connector, prepared; Tachograph digital, Stoneridge 1C version G2V2; Adaptive Cruise Control with FCW and AEBS-3.

Optional

16155 Audio equipment, makes and types

SAFETY AND SECURITY

Lane Departure Warning System; Vehicle Stability Control (VSC); Basic engine immobiliser system.

Optional

08631 Air bag (driver) and 2 seat belt tensioners	06634 Immobiliser 5 minutes and alarm (SCM BV03-B2)
01725 Reverse warning	06635 Immobiliser 15 minutes and alarm (SCM BV03-B3)
07414 Reverse warning with self-adjusting volume	16156 EC-ADR packages
06633 Immobiliser 5 minutes (SCM BV03-B1)	

SUSPENSION AND AXLES

Front: 3.60 t, parabolic, F36; Rear: 5.00 t, parabolic, SR5.14.

Optional

01927 Front springs parabolic raised, Heavy Duty	00369 Rear springs parabolic, asymmetric
07368 Front springs parabolic, Heavy Duty	08031 Rear springs parabolic, Heavy Duty
01372 Rear springs air	01959 Rear springs parabolic, raised
01983 Rear springs parabolic raised, Heavy Duty	

WHEELS AND TYRES

Front axle(s): 215/75R17.5; Driven rear axle(s): 215/75R17.5; Wheel protection rings silvergrey.

Optional

06764 Wheel protection rings black	16152 Tyre makes and types
---	-----------------------------------

DRIVELINE

Engine PX-5, 4 cylinder diesel engine, 4.5 litres. Output 139 kW (189 hp) at 2300 rpm. Max. torque 745 Nm at 1200-1700 rpm.; Exhaust emission Euro 6; Engine idle shutdown, 5 minutes; Manual gearbox, 6 speeds; Gearbox ratio 6.58-0.78; Rear axle ratio 3.73.

Optional

07667 Automatic gearbox PowerLine, 8-speed

BRAKE SYSTEM

Exhaust brake.

CHASSIS

Wheelbase 4.30 m / rear overhang 2.18 m; Side member height 210 mm; EAS unit right, discharge right rearward; Plastic fuel tank 110 l; Tank for AdBlue® 30 l, right-hand side chassis; Spray suppression.

Optional

02011 Spare wheel carrier in rear overhang	03323 Rear light with LEDs
07071 Spare wheel carrier right-hand side	

DRAWBAR AND TRAILER EQUIPMENT

Closing member.

Optional

04661 D-value cross member D=8.5

BODIES AND PREPARATIONS FOR BODYING

No BodyBuilder Module (BBM); Application connector chassis; Standard body attachment hole pattern.

Optional

09952 BodyBuilder Module (BBM) full	01503 Side marker lights
02597 Application connector for tail lift control	07487 Body attachment BAM 1, loose consoles supply
02950 Application connector for hydraulic platform	07488 Body attachment BAM 3, loose consoles supply
09240 Application connector for refuse collector	

POWER TAKE-OFF (PTO)

Optional

06624 Indirect front engine PTO **16148** PTO types and positions

06785 Front engine PTO,
generator preparation
22.5 kW

24V POWER SUPPLY

Alternator 80 A, batteries 2x 125 Ah..

Optional

01897 Alternator 100 A **08797** Batteries 2x175Ah

GVM AND GCM

Chassis weight related technical GVM max 7500 kg; Driveline related technical GCM equal to GVM.

Optional

03428 Driveline related max GCM 16000 kg **03700** Driveline related technical GCM = GVM+3500 kg

00054 Driveline related max GCM 18000 kg

APPLICATION CONDITIONS

Moisture separator, unheated; Air intake low.

Optional

02270 Cold climate **09960** Air intake on the cab roof

04767 Moisture separator, heated **04987** Radiator flyscreen

04482 Air intake high behind cab

SERVICE AND MAINTENANCE

Warranty Plus - 1 Year Vehicle & 3 Year Driveline - takes care of all warrantable repairs on the vehicle for one year and on the driveline for second and third years together with associated breakdown coverage.; DAF 2 year Preventive Maintenance Package - 320k.

VEHICLE DELIVERY

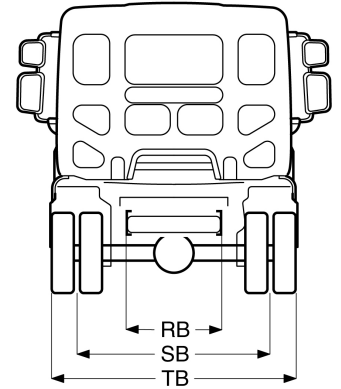
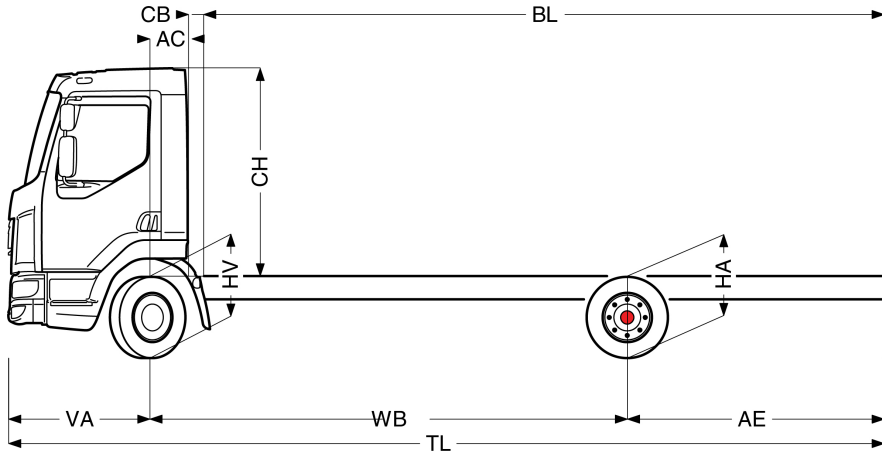
Standard toolkit.



Go to DAF.com to configure your own perfect DAF.

LF 190

FA 4X2 Rigid, 08t



	Wheelbase - AE ⁵⁾		Unladen weight ¹⁾			Gross Carrying Capacity			Variable dimensions									
	WB	AE ⁵⁾	Front	Rear	Total	Front	Rear	Total	AC	CB ⁶⁾	CH ⁷⁾	BL ⁸⁾	BL	TL	HA ⁹⁾	HA ¹⁰⁾	TK ¹¹⁾	TW ¹²⁾
DAY CAB	3,15	1,73	2441	822	3263	1159	4178	4237	0,33	0,12	1,84	3,68	5,30	6,16	1,02	0,89	11,40	12,68
	3,55	1,98	2443	838	3281	1157	4162	4219	0,33	0,12	1,84	4,26	6,10	6,81	1,02	0,89	12,43	13,73
	3,90	2,23	2446	851	3298	1154	4149	4203	0,33	0,12	1,84	4,76	6,80	7,41	1,01	0,89	13,34	14,66
	4,30	2,18	2464	859	3324	1136	4141	4176	0,33	0,12	1,84	5,37	7,62	7,76	1,01	0,90	14,38	15,71
	4,65	2,75	2464	893	3357	1136	4107	4144	0,33	0,12	1,84	5,86	8,31	8,68	1,01	0,89	15,29	16,64
	5,00	2,46	2482	882	3364	1118	4118	4136	0,33	0,12	1,84	6,40	9,05	8,74	1,01	0,90	16,20	17,56
	5,40	2,43	2493	886	3379	1107	4114	4121	0,33	0,12	1,84	7,00	9,87	9,11	1,01	0,90	17,25	18,62
SLEEPER CAB	WB	AE ⁵⁾	Front	Rear	Total	Front	Rear	Total	AC	CB ⁶⁾	CH ⁷⁾	BL ⁸⁾	BL	TL	HA ⁹⁾	HA ¹⁰⁾	TK ¹¹⁾	TW ¹²⁾
	3,55	1,98	2550	855	3405	1050	4145	4095	0,73	0,00	1,87	3,82	5,72	6,81	1,01	0,89	12,43	13,73
	3,90	2,23	2554	867	3421	1046	4133	4079	0,73	0,00	1,87	4,35	6,44	7,41	1,01	0,89	13,34	14,66
	4,30	2,18	2574	874	3447	1026	4126	4053	0,73	0,00	1,87	4,97	7,29	7,76	1,01	0,90	14,38	15,71
	4,65	2,75	2574	906	3480	1026	4094	4020	0,73	0,00	1,87	5,47	8,00	8,68	1,01	0,89	15,29	16,64
	5,00	2,46	2593	895	3488	1007	4105	4012	0,73	0,00	1,87	6,04	8,77	8,74	1,01	0,90	16,20	17,56
	5,40	2,43	2605	898	3503	995	4102	3997	0,73	0,00	1,87	6,65	9,61	9,11	1,01	0,90	17,25	18,62

OTHER DIMENSIONS VA: 1,28 HV¹³⁾: 0,90 HV¹⁴⁾: 0,85 RB: 0,86 SB: 1,74 TB¹⁵⁾: 2,28

- GVM in conformity with registration documents.
- GCM in conformity with registration documents.
- Axle load with standard tyre size.
- Chassis and cab weight calculated with: Standard specification items only with 110 litres of fuel, 30 litres of AdBlue® and driver of 90 kg, tolerance ± 3%. Changing of the specification can have major impact on vehicle weight.
- Other AE dimensions may be available for shown WB. Modify rear overhang to the calculated body length.
- CB is based on standard air intake and/or exhaust.
- Cab height is measured from frame member to closed cabin roof hatch.
- Calculate customer specific body length with TOPEC. Body lengths shown based on evenly distributed load at max axle load.
- Unladen height at centre of driven axle(s).
- Laden height at centre of driven axle(s).
- TK = turning circle between kerbs.
- TW = turning circle between walls.
- Unladen height at centre of front axle(s).
- Laden height at centre of front axle(s).
- TB is overall width at rear. (At centre of front axle 255).

Depending on the vehicle configuration a specific option may not be possible. The availability and specification of this vehicle may differ per country. For further information please contact the DAF organisation. Pictures and technical illustrations are not binding in detail and can differ from the standard specification. Subject to modification without prior notice.