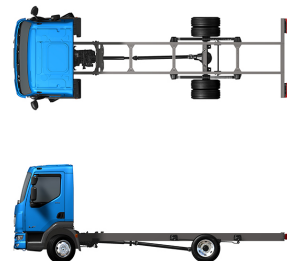


Specification sheet

LF 190

FA 4X2 Rigid, 12t Chassis/Body



ENGINES

- LF 190 PX-5 (139 kW / 189 hp)
- LF 210 PX-5 (153 kW / 208 hp)
- LF 230 PX-7 (167 kW / 227 hp)
- LF 260 PX-7 (189 kW / 257 hp)

GVM¹⁾

- 12000 kg
- Max. front 4480 kg
- Max. rear 8480 kg

GCM²⁾

- 12000 kg

016F3602DBAA - 202345C - 18-08-2023

DAF Trucks Ltd, UK, Haddenham, HP17 8LJ, www.daf.co.uk

CAB EXTERIOR

Day Cab with steel bumper, tinted glass and electric window openers. Main mirrors and wide angle mirrors electrically heated. Cab width 2130 mm.; Green tinted glass; Electrically adjustable mirrors; Mirror brackets, body 2.50-2.60 m; Front view mirror.

Optional

02576 Extended Day Cab	09984 Fog lights and cornering lights
02106 Sleeper Cab	07343 Kerb view window co-driver door
01173 Cab suspension mechanical	00915 Side no glass / rear single glass
01605 Cab suspension mechanical reinforced	09101 Green tinted glass, heated
09983 Fog lights	09283 Mirror brackets, body 2.40-2.50 m

AERODYNAMICS

Optional

09287 Side collars prepared	07112 Side collars long (set)
------------------------------------	--------------------------------------

COLOURS

; Head lamp panel and bumper: Stone Grey; Chassis colour grey..

Optional

06485 Head lamp panel and bumper: cab colour	01303 Curtain colour 557 blue, panels white
04674 Body panels standard white	01340 Curtain colour 602 green, panels white
01238 Curtain colour 907 white, panels white	01344 Curtain colour 763 grey, panels white
01241 Curtain colour 148 yellow, panels white	01350 Curtain colour 905 black, panels white
01298 Curtain colour 356 red, panels white	16153 Cab and chassis colours

CAB INTERIOR

Right-hand drive (RHD); Mechanically adjustable steering column; Driver seat: air suspended; Co-driver seat: fixed velour; Storage box on engine tunnel.

Optional

09271 Steering wheel, leather, colour black	02213 Air conditioning
03516 Pneumatically adjustable steering column	03703 Auxiliary cab heater Air Top 2000
00967 Seat belts red	04246 Roof hatch, manual control
16158 Seat types	04258 Roof hatch, electric control
04346 Lower bunk, normal level	

COMMUNICATION AND DRIVING MANAGEMENT

FMS connector, prepared; Tachograph digital, Stoneridge 1C version G2V2; Adaptive Cruise Control with FCW and AEBS-3.

Optional

16155 Audio equipment, makes and types

SAFETY AND SECURITY

Lane Departure Warning System; Vehicle Stability Control (VSC); Basic engine immobiliser system.

Optional

08631 Air bag (driver) and 2 seat belt tensioners	06634 Immobiliser 5 minutes and alarm (SCM BV03-B2)
01725 Reverse warning	06635 Immobiliser 15 minutes and alarm (SCM BV03-B3)
07414 Reverse warning with self-adjusting volume	
06633 Immobiliser 5 minutes (SCM BV03-B1)	16156 EC-ADR packages

SUSPENSION AND AXLES

Front: 4.50 t, parabolic, F48; Rear: 8.50 t, parabolic, SR8.22.

Optional

01372 Rear springs air

WHEELS AND TYRES

Front axle(s): 245/70R17.5; Driven rear axle(s): 245/70R17.5; Wheel protection rings silvergrey.

Optional

06764 Wheel protection rings black	16152 Tyre makes and types
---	-----------------------------------

DRIVELINE

Engine PX-5, 4 cylinder diesel engine, 4.5 litres. Output 139 kW (189 hp) at 2300 rpm. Max. torque 745 Nm at 1200-1700 rpm.; Exhaust emission Euro 6; Engine idle shutdown, 5 minutes; Manual gearbox, 6 speeds; Gearbox ratio 6.58-0.78; Rear axle ratio 3.31.

Optional

07667 Automatic gearbox PowerLine, 8-speed

BRAKE SYSTEM

Exhaust brake.

CHASSIS

Wheelbase 4.30 m / rear overhang 2.43 m; Side member height 210 mm; EAS unit right, discharge right rearward; Plastic fuel tank 110 l; Tank for AdBlue® 30 l, right-hand side chassis; Spray suppression.

Optional

03323 Rear light with LEDs

DRAWBAR AND TRAILER EQUIPMENT

Closing member.

Optional

04661 D-value cross member D=8.5

BODIES AND PREPARATIONS FOR BODYING

No BodyBuilder Module (BBM); Application connector on the cab front; Standard body attachment hole pattern.

Optional

09952 BodyBuilder Module (BBM) full	02698 Body floor with 3 mm aluminium tread plate
00126 Body attachment BAM 1, consoles type B	02717 Aluminium kick strips, front and sides 228 mm
02357 Box body	02712 Aluminium kick strips, front 228 mm
01890 Curtain sider body	02727 Galvanised kick strips, front and sides 200 mm
03562 Aerobody	02727 Galvanised kick strips, front and sides 200 mm
02615 External body length 5150 mm	02728 Plywood kick strips, front and sides 300 mm
02622 External body length 6100 mm	02738 Plywood kick strips, front 1200 mm, sides 300 mm
02650 External body length 6810 mm	04650 Rear wide lath shutter door
04619 External body width 2480 mm	04662 Rear double doors
01403 GRP faced plywood panels	02726 Single, hinged side door at front left-hand side
00067 Contour markings	02718 Side roller shutter door
02702 Standard body floor	04637 Column tail lift
	04640 Tuck-under tail lift

POWER TAKE-OFF (PTO)

Optional

16148 PTO types and positions

24V POWER SUPPLY

Alternator 80 A, batteries 2x 125 Ah..

Optional

01897 Alternator 100 A **08797** Batteries 2x175Ah

GVM AND GCM

Chassis weight related technical GVM max 12000 kg; Driveline related technical GCM equal to GVM.

Optional

00054 Driveline related max GCM 18000 kg	08629 Driveline related max GCM 22000 kg
00728 Driveline related max GCM 20000 kg	03700 Driveline related technical GCM = GVM+3500 kg

APPLICATION CONDITIONS

Moisture separator, unheated; Air intake low.

Optional

02270 Cold climate	04482 Air intake high behind cab
04767 Moisture separator, heated	04987 Radiator flyscreen

SERVICE AND MAINTENANCE

Warranty Plus - 1 Year Vehicle & 3 Year Driveline - takes care of all warrantable repairs on the vehicle for one year and on the driveline for second and third years together with associated breakdown coverage.; DAF 2 year Preventive Maintenance Package - 320k.

VEHICLE DELIVERY

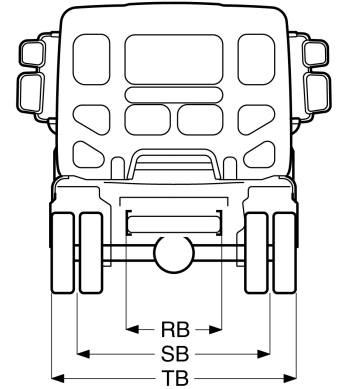
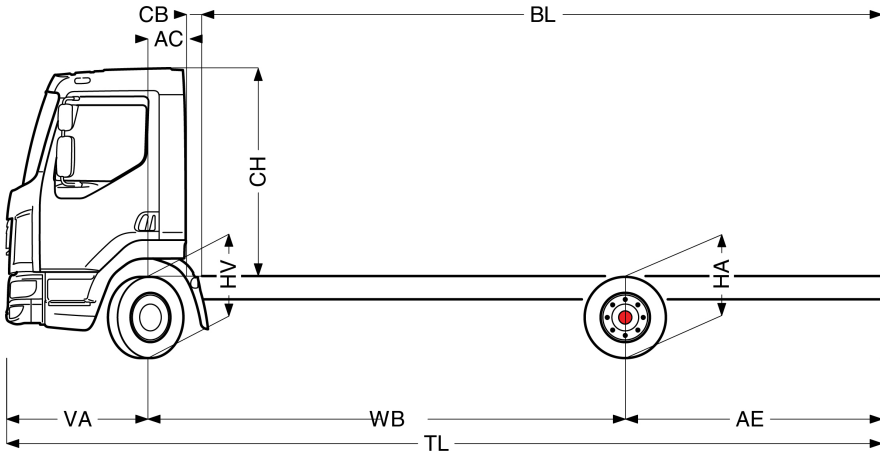
Standard toolkit.



Go to [DAF.com](https://www.daf.com) to configure your own perfect DAF.

LF 190

FA 4X2 Rigid, 12t Chassis/Body



	Wheelbase - AE		Unladen weight ¹⁾			Gross Carrying Capacity			Variable dimensions									
	WB	AE ⁵⁾	Front	Rear	Total	Front	Rear	Total	AC	CB ⁶⁾	CH ⁷⁾	BL ⁸⁾	BL	TL	HA ⁹⁾	HA ¹⁰⁾	TK ¹¹⁾	TW ¹²⁾
DAY CAB	3,55	1,98	2489	1085	3574	1991	7395	8426	0,33	0,22	1,84	4,31	5,05	6,81	0,98	0,88	12,44	13,72
	3,90	2,23	2489	1098	3587	1991	7382	8413	0,33	0,22	1,84	4,84	5,66	7,41	0,98	0,88	13,35	14,64
	4,30	2,43	2505	1124	3630	1975	7356	8371	0,33	0,22	1,84	5,46	6,37	8,01	0,98	0,89	14,39	15,70
	4,65	2,75	2508	1146	3654	1972	7334	8346	0,33	0,22	1,84	5,99	6,98	8,68	0,98	0,88	15,30	16,62
SLEEPER CAB	3,55	1,98	2625	1065	3690	1855	7415	8310	0,73	0,20	1,87	3,65	4,40	6,81	0,98	0,86	12,44	13,72
	3,90	2,23	2635	1090	3725	1845	7390	8275	0,73	0,20	1,87	4,18	5,03	7,41	0,98	0,87	13,35	14,64
	4,30	2,43	2638	1106	3743	1842	7374	8257	0,73	0,20	1,87	4,81	5,74	8,01	0,98	0,87	14,39	15,70
	4,65	2,75	2647	1136	3783	1833	7344	8217	0,73	0,20	1,87	5,35	6,36	8,68	0,98	0,87	15,30	16,62

OTHER DIMENSIONS

VA: 1,28 HV¹³⁾: 0,93 HV¹⁴⁾: 0,86 RB: 0,86 SB: 1,74 TB¹⁵⁾: 2,32

- GVM in conformity with registration documents.
- GCM in conformity with registration documents.
- Axle load with standard tyre size.
- Chassis and cab weight calculated with: Standard specification items only with 110 litres of fuel, 30 litres of AdBlue® and driver of 90 kg, tolerance ± 3%. Changing of the specification can have major impact on vehicle weight.
- Other AE dimensions may be available for shown WB. Modify rear overhang to the calculated body length.
- CB is based on standard air intake and/or exhaust.
- Cab height is measured from frame member to closed cabin roof hatch.

- Calculate customer specific body length with TOPEC. Body lengths shown based on evenly distributed load at max axle load.
- Unladen height at centre of driven axle(s).
- Laden height at centre of driven axle(s).
- TK = turning circle between kerbs.
- TW = turning circle between walls.
- Unladen height at centre of front axle(s).
- Laden height at centre of front axle(s).
- TB is overall width at rear. (At centre of front axle 255).

Depending on the vehicle configuration a specific option may not be possible. The availability and specification of this vehicle may differ per country. For further information please contact the DAF organisation. Pictures and technical illustrations are not binding in detail and can differ from the standard specification. Subject to modification without prior notice.