

Specification sheet

# XD 300

FT 4X2 Tractor



**XD**

## ENGINES

XD NewGen 300 MX-11 (220 kW / 299 hp)
XD NewGen 340 MX-11 (251 kW / 341 hp)
XD NewGen 370 MX-11 (270 kW / 367 hp)
XD NewGen 410 MX-11 (300 kW / 408 hp)
XD NewGen 450 MX-11 (330 kW / 449 hp)

## GVM<sup>1)</sup>

18000 kg
Max. front 8000 kg
Max. rear 11500 kg

## GCM<sup>2)</sup>

40000 kg

016GG0101AAAA - 202345C - 18-08-2023

DAF Trucks Ltd, UK, Haddenham, HP17 8LJ, [www.daf.co.uk](http://www.daf.co.uk)

## OPTION PACKAGES

### Optional

- 17448** Safety pack **17627** Aero Pack XD/XF  
**17595** Executive Pack XD/XF

## CAB EXTERIOR

Luxurious Sleeper Cab with unrivalled aerodynamics for fuel efficient driving and low CO2 emissions. The huge and deep frontscreen, curved at the sides combined with large side windows offer an unsurpassed direct view for the driver, to enhance road safety. The cab interior is extremely comfortable for driving, living and sleeping with unprecedented spaciousness and practical layout. Cab length: 2360 mm; cab width: 2500 mm. Number of cab steps: 2.; Cab suspension mechanical; LED head lights; DAF Corner View.

### Optional

- 07017** Day Cab **00936** Auxiliary LED lights on cab roof, prepared  
**06244** Sleeper High Cab **01836** LED Skylights  
**02889** Chassis front execution: no bottom plate **00949** LED Skylights; aux. LED lights on cab rf, prepared  
**02952** Chassis front execution: bottom plate aero **01925** Two LED work lamps for cab rear wall  
**03353** Chassis front execution: protruding **01891** Hazard beacons on cab front, prepared  
**07586** Chassis front execution: robust **06629** Two hazard beacon lights  
**01226** Cab suspension air **03232** Front windscreen with solar control foil  
**03358** External sun visor **03317** Rear window: double glass  
**06790** Aluminium ladder 1-piece **07343** Kerb view window co-driver door  
**06791** Aluminium ladder 2-piece **01362** DAF Digital Vision System  
**03922** Fog lights front

## AERODYNAMICS

### Optional

- 00010** Adj. roof air deflector short Sleeper High Cab **04906** Side collars  
**00138** Adj. rf air defl.long mid >4m(!) Sleeper High Cab **03419** Side collars, extended  
**01552** Adj. roof air defl. long high >4m(!) Sleeper High **04146** Side skirts  
**00094** Adj. roof air deflector for Day Cab **01122** Side skirts  
**00118** Adj. roof air deflector for Sleeper Cab **01126** Side skirts with bottom extensions  
**00021** Adj. roof air deflector long low Sleeper High Cab **01127** Side skirts with top extensions  
**02665** Adj. roof air deflector long mid Sleeper High Cab **01135** Side skirts with extensions at top and bottom

## COLOURS

Cab colour E1980 Crystal White; Chassis colour grey.; Colour of bumper: Crystal White.

## CAB INTERIOR

Cab interior trim colour: Luxury; Dashboard finish: Vision; Cab interior decoration: Hexagon; Driver seat: Comfort Air; Co-driver seat: cinema with fabric cover; Dashboard table; Storage compartment in centre; Automatic Temperature Control and airc; Auxiliary cab heater (water).

### Optional

- 02353** Cab interior decoration: Argenta **03948** Single drawer  
**02350** Cab interior decoration: Natura **03954** Refrigerator  
**07733** Driver seat: Luxury Air **31364** Without feature: Lower bunk mattress  
**07736** Driver seat: Super Air **02854** Xtra Comfort mattress for lower bunk  
**07737** Driver seat: Xtra Leather Air **01775** Xtra Comfort mattress with topper for lower bunk  
**09541** Arm rest driver seat **01177** Luggage carrier  
**01740** Arm rest at both sides of the driver seat **01066** Upper bunk  
**02117** Third seat **06970** Automatic Cab Climate Control  
**02834** No dashboard table

## COMMUNICATION AND DRIVING MANAGEMENT

DAF Connect; Tachograph digital, Stoneridge 1C version G2V2; Speed limiter setting 85 km/h; Eco off 90 km/h; DAF Infotainment Luxury with Luxury speakers; Adaptive Cruise Control with FCW and AEBS-3.

### Optional

- 09681** Preparation for Maut **01915** DAF Infotainment System: Luxury Plus  
**06211** DAF Infotainment System with FM/DAB/DAB+ radio **16155** Audio equipment, makes and types  
**03470** DAF Infotainment System: Exclusive, prepared **06991** Predictive Cruise Control

## SAFETY AND SECURITY

Lane Departure Warning System; Vehicle Stability Control (VSC); Basic engine immobiliser system; DAF Side & Turn Assist.

### Optional

- 08631** Air bag (driver) and 2 seat belt tensioners **06410** Safe Load Pass preparation  
**02178** Main switch with second control in the cab **00795** Safety regulations EC ADP

## SUSPENSION AND AXLES

Front: 8.00 t, parabolic, 163N; Rear axle load 13.00 t; Rear: air suspension, SR1344; No lifting device.

### Optional

- 01769** Front axle load 7.50 t **04057** Rear axle HR1356  
**06257** Front axle load 9.00 t **04588** Rear axle SR1347  
**04647** Front springs air **08191** Axle load monitoring

## WHEELS AND TYRES

Driven rear axle(s): 315/70R22.5; F1,315/70R22.5GO FMXSE 156/150 L Steering BBA 3P; R1,315/70R22.5GO FMXDE 154/150 L Traction BBA 3P.

### Optional

- 16152** Tyre makes and types

## DRIVELINE

Engine MX-11, multi torque 6 cylinder diesel engine, 10.8 litres. Output 220 kW (299 hp) at 1600 rpm. Max. torque 1450 Nm at 900-1400 rpm.; Exhaust emission Euro 6; Eco fuel; 12-speed TraXon 12TX1810 OD, 12.92-0.77; Gearbox ratio 12.92-0.77; Rear axle ratio 3.08; ASR.

## Optional

<b>07110</b> Eco performance	<b>08371</b> Long Combination Vehicle (LCV)
<b>02313</b> Gearbox direct drive	<b>09638</b> Off-road applications
<b>01514</b> Urge-to-move	<b>01498</b> Off-road applications with Rock-free function
<b>07101</b> Standard transport, Lite version	<b>02843</b> Mechanical differential lock
<b>09637</b> Liquid transport	

## BRAKE SYSTEM

MX Engine Brake; Ventilated disc brakes front and rear. Dual circuit air system with electronic control (EBS)..

### Optional

<b>09920</b> No MX Engine Brake	<b>01497</b> Park brake control pneumatic with spoken warning
<b>02715</b> ZF Intarder	
<b>01572</b> Park brake control electro-pneumatic	<b>04901</b> Spring brake cylinders on the first front axle

## CHASSIS

Wheelbase 3.80 m / rear overhang 0.99 m; Side member height 260 mm; Standard component location; 430 l alu fuel tank LH, height 620 mm; Tank for AdBlue® 40 l, on left-hand mudguard; Front underrun protection (FUP); Catwalk with step; Rear mudguards; Spray suppression; Work lamp LED.

### Optional

<b>06641</b> Free space left+right behind SCR/DPF	<b>02883</b> Component-free right-hand side, 1900 mm
<b>08740</b> Free space between front and rear axle	<b>16157</b> Fuel tanks, material and sizes
<b>07007</b> Component-free right hand side, 1500 mm	<b>07071</b> Spare wheel carrier right-hand side
<b>03598</b> Component-free right hand side, 1700 mm	<b>03323</b> Rear light with LEDs

## DRAWBAR AND TRAILER EQUIPMENT

JOST JSK36DV pressed steel 205+40mm; Pneumatic trailer connection C-type; Electric connection 24 V / 2x7 pins.

### Optional

<b>03178</b> Towing hook D= 4.3	<b>16151</b> 5th wheel makes and heights
<b>04359</b> Lead-up ramps	

## BODIES AND PREPARATIONS FOR BODYING

### Optional

<b>02811</b> Tail lift connection Anderson	<b>02812</b> Tail lift connection REMA
--	--

## POWER TAKE-OFF (PTO)

### Optional

<b>16148</b> PTO types and positions
--------------------------------------

## 24V POWER SUPPLY

Alternator 110 A, batteries 2x 175 Ah..

### Optional

<b>04492</b> Alternator 130 A	<b>07671</b> Batteries 2x210Ah AGM C-type
<b>08775</b> Alternator 150 A	
<b>01257</b> Batteries 2x140Ah	<b>06440</b> Batteries 2x230Ah

## GVM AND GCM

Chassis weight related technical GVM max 19500 kg; Driveline related max GCM 40000 kg class 3.

## APPLICATION CONDITIONS

Air intake front.

### Optional

<b>08400</b> Silent mode	<b>03648</b> Cyclonic air intake high
<b>02260</b> Extra cab insulation	<b>06614</b> Anti-dust blow-up shield

## SERVICE AND MAINTENANCE

Standard Warranty takes care of 1 year complete vehicle as supplied by the OEM (excl. real wear parts), 2nd year driveline and 1st year breakdown.; ITS service.

### Optional

<b>08311</b> Service interval extended
--

## VEHICLE DELIVERY

Minimum toolkit.

### Optional

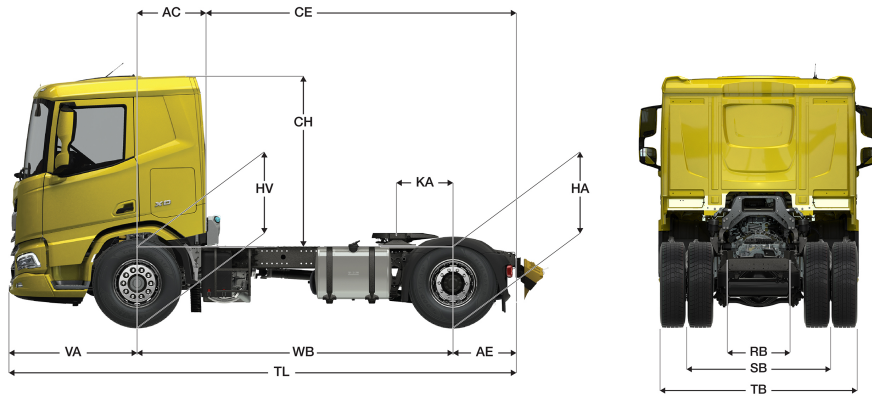
<b>07569</b> Lifting jack
---------------------------



Go to [DAF.com](https://www.daf.com) to configure your own perfect DAF.

# XD 300

FT 4X2 Tractor



	Wheelbase - AE		Unladen weight <sup>1)</sup>			Gross Carrying Capacity			Variable dimensions								
	WB	AE <sup>5)</sup>	Front	Rear	Total	Front	Rear	Total	AC	CE	CH	KA <sup>6)</sup>	TL	HA <sup>7)</sup>	HA <sup>8)</sup>	TK <sup>9)</sup>	TW <sup>10)</sup>
DAY CAB	3,25	0,75	4814	1962	6776	3186	9538	11224	0,50	3,50	2,06	0,47	5,53	0,97	0,95	12,08	13,43
	3,60	0,99	4769	2145	6914	3231	9355	11086	0,50	4,09	2,06	0,47	6,12	0,97	0,95	12,98	14,35
	3,80	0,99	4778	2032	6810	3222	9468	11190	0,50	4,29	2,06	0,77	6,32	0,97	0,95	13,50	14,88
	4,00	0,99	4834	2104	6938	3166	9396	11062	0,50	4,49	2,06	0,77	6,52	0,97	0,95	14,01	15,41
SLEEPER CAB	3,60	0,99	4819	2057	6876	3181	9443	11124	0,83	3,76	2,06	0,47	6,12	0,97	0,94	12,98	14,35
	3,80	0,99	4882	1991	6873	3118	9509	11127	0,83	3,96	2,06	0,77	6,32	0,97	0,94	13,50	14,88
	4,00	0,99	4941	2060	7001	3059	9440	10999	0,83	4,16	2,06	0,77	6,52	0,97	0,95	14,01	15,41
SLEEPER HIGH CAB	3,60	0,99	4850	2056	6905	3150	9444	11095	0,83	3,76	2,54	0,47	6,12	0,97	0,94	12,98	14,35
	3,80	0,99	4912	1990	6902	3088	9510	11098	0,83	3,96	2,54	0,77	6,32	0,97	0,94	13,50	14,88
	4,00	0,99	4971	2060	7031	3029	9440	10969	0,83	4,16	2,54	0,77	6,52	0,97	0,95	14,01	15,41

OTHER DIMENSIONS VA: 1,53 HV<sup>11)</sup>: 0,97 HV<sup>12)</sup>: 0,88 RB: 0,79 SB: 1,82 TB<sup>13)</sup>: 2,48

- 1) GVM in conformity with registration documents.
- 2) GCM in conformity with registration documents.
- 3) Axle load with standard tyre size.
- 4) Chassis and cab weight calculated with: Standard specification items only with 430 litres of fuel, 40 litres of AdBlue® and driver of 90 kg, tolerance ± 3%. Changing of the specification can have major impact on vehicle weight.
- 5) Other AE dimensions may be available for shown WB.
- 6) Calculate customer specific KA with TOPEC.

- 7) Unladen height at centre of driven axle(s).
- 8) Laden height at centre of driven axle(s).
- 9) TK = turning circle between kerbs.
- 10) TW = turning circle between walls.
- 11) Unladen height at centre of front axle(s).
- 12) Laden height at centre of front axle(s).
- 13) TB is overall width at rear. (At centre of front axle 255).

Depending on the vehicle configuration a specific option may not be possible. The availability and specification of this vehicle may differ per country. For further information please contact the DAF organisation. Pictures and technical illustrations are not binding in detail and can differ from the standard specification. Subject to modification without prior notice.