

Specification sheet

XF 450

FT 4X2 Tractor



ENGINES

- XF 450 MX-11 (330 kW / 449 hp)
- XF 430 MX-13 (315 kW / 428 hp)
- XF 480 MX-13 (355 kW / 483 hp)
- XF 530 MX-13 (390 kW / 530 hp)

GVM¹⁾

- 18000 kg
- Max. front 8000 kg
- Max. rear 11500 kg

GCM²⁾

- 44000 kg

016GG0709AAAA - 202345C - 18-08-2023

DAF Trucks Ltd, UK, Haddenham, HP17 8LJ, www.daf.co.uk

CAB EXTERIOR

Space Cab with galvanised steel bumper, tinted glass and electric window openers. Main mirrors and wide angle mirrors electrically heated. Cab width 2490 mm.; Cab suspension mechanical; LED daytime running lights; Front view mirror; Central door lock system, 2 keys, 2 RC units.

Optional

01760 Super Space Cab	08020 LED head lights
01226 Cab suspension air	09982 No auxiliary lights in the bumper
01174 External sun visor green translucent	09984 Fog lights and cornering lights
06790 Aluminium ladder 1-piece	06593 Skylights
06791 Aluminium ladder 2-piece	06628 One hazard beacon light at co-driver side
00847 Air horns, single set	06627 One hazard beacon light at driver side
09006 Air horns, double set	06629 Two hazard beacon lights

AERODYNAMICS

Optional

08823 Adj. roof air deflector Space Cab; over 4 m (!)	06904 Fixed rf deflector; total height over 4 m
06776 Adjustable roof air deflector	07401 Winding handle for roof air deflector
08822 Adj. roof air deflector for Space Cab	04906 Side collars
06160 Fixed roof air deflector for Super Space Cab	04146 Side skirts

COLOURS

Cab colour H3279 Brilliant White; Head lamp panel and bumper: Brilliant White; Chassis colour grey..

CAB INTERIOR

Cab interior trim colour Dark Sand; Cab interior decoration Delta black; Driver seat: Comfort Air; Co-driver seat: basic; Lower bunk without drawer; Luggage carrier; Automatic Temperature Control and airco; Auxiliary cab heater (water); Pollen filter.

Optional

07152 Cab interior trim colour Exclusive	07748 Co-driver seat: Xtra Leather Air
07592 Cab interior decoration Argenta	00967 Seat belts red
07591 Cab interior decoration Rustica	06539 Refrigerator
07733 Driver seat: Luxury Air	09603 Lower bunk with drawer 65 litres
07736 Driver seat: Super Air	06784 Lower bunk mattress Xtra Comfort
07737 Driver seat: Xtra Leather Air	01065 No upper bunk / no luggage carrier
07741 Co-driver seat: Comfort Air	01066 Upper bunk
07743 Co-driver seat: Luxury Air	06676 PL light in cab ceiling
07746 Co-driver seat: Super Air	06970 Automatic Cab Climate Control

COMMUNICATION AND DRIVING MANAGEMENT

Tachograph digital, Stoneridge 1C version G2V2; Speed limiter setting 85 km/h; Eco off 90 km/h; Antennas: radio, 2x cellular, GNSS; Adaptive Cruise Control with FCW and AEBS-3; Driver Performance Assistant.

Optional

09681 Preparation for Maut	06991 Predictive Cruise Control
07117 Radio/USB player, 2 speakers	

SAFETY AND SECURITY

Lane Departure Warning System; Vehicle Stability Control (VSC); Basic engine immobiliser system.

Optional

08631 Air bag (driver) and 2 seat belt tensioners	09828 Front camera system
07011 DAF Night Lock	09827 Side camera system
02178 Main switch with second control in the cab	01725 Reverse warning

SUSPENSION AND AXLES

Front axle load 8.00 t; Rear: 13.00 t, air suspension, SR1344.

Optional

01769 Front axle load 7.50 t	04588 Rear axle SR1347
06257 Front axle load 9.00 t	08191 Axle load monitoring
04647 Front springs air	

WHEELS AND TYRES

Front axle(s): 315/70R22.5; Driven rear axle(s): 315/70R22.5; Disc wheels steel, silvergrey; Wheel protection rings silvergrey.

Optional

16152 Tyre makes and types

DRIVELINE

Engine MX-11, multi torque 6 cylinder diesel engine, 10.8 litres. Output 330 kW (449 hp) at 1600 rpm. Maximum torque 2300 Nm at 900-1125 rpm.; Exhaust emission Euro 6; Engine idle shutdown, 5 minutes; Automated gearbox, TraXon, 12 speeds; Gearbox ratio 16.69-1.00; Rear axle ratio 2.38; ASR.

Optional

04523 Manual gearbox, 16 speeds	02314 Gearbox overdrive
07103 Automated gearbox, TraXon, 16 speeds	

BRAKE SYSTEM

MX Engine Brake; Park brake control with test position; Ventilated disc brakes front and rear. Dual circuit air system with electronic control (EBS). Twin cylinder air compressor with heated dryer and economy mode..

Optional

09920 No MX Engine Brake	04901 Spring brake cylinders on the first front axle
02715 ZF Intarder	

CHASSIS

Wheelbase 3.80 m / rear overhang 0.75 m; Side member height 260 mm; Standard component location; Exhaust pipe horizontal, low; Hor battery box right, no spare wheel carrier; Alu fuel tank 845 l with step, height 620 mm; Tank for AdBlue® 90 l, on left-hand mudguard; Front underrun protection (FUP); Catwalk with step; Rear mudguards; Spray suppression; Work lamp LED.

Optional

08740 Free space between front and rear axle	03135 Vert battery box left, no spare wheel carrier
08915 Component-free right hand side, 1400 mm	03094 Batteries in rear overhang, no spare wheel carrier
08916 Component-free right hand side, 1600 mm	03098 Batteries in re overhang, spare wheel carrier left
08917 Component-free right hand side, 1800 mm	16157 Fuel tanks, material and sizes
06406 Component-free right hand side, 2500 mm	03624 One wheel chock
06611 Exhaust pipe vertical, high	06306 Two wheel chocks
03052 Hor battery box and spare wheel carrier right	03323 Rear light with LEDs

DRAWBAR AND TRAILER EQUIPMENT

Fifth wheel JOST type JSK36DV, pressed steel, height 205 mm with 40 mm mounting plate. King pin diameter 2 inches.; Fifth wheel KA dimension 670 mm; Pneumatic trailer connection C-type; Electric connection 24 V / 2x7 pins; Trailer connection storage box.

Optional

03178 Towing hook D= 4.3	06731 Chassis protection beam
09472 No lead-up ramps	16151 5th wheel makes and heights

POWER TAKE-OFF (PTO)

Optional

16148 PTO types and positions

24V POWER SUPPLY

Alternator 80 A, batteries 2x 230 Ah..

Optional

06460 Alternator 120 A	07671 Batteries 2x210Ah AGM C-type
08775 Alternator 150 A	

GVM AND GCM

Chassis weight related technical GVM max 20500 kg; Driveline related max GCM 50000 kg class 3.

Optional

03673 Driveline related max GCM 44000 kg class 2

APPLICATION CONDITIONS

Air intake high.

Optional

08400 Silent mode	03648 Cyclonic air intake high
03646 Air intake front	

SERVICE AND MAINTENANCE

Standard Warranty takes care of 1 year complete vehicle as supplied by the OEM (excl. real wear parts), 2nd year driveline and 1st year breakdown.; ITS service.

Optional

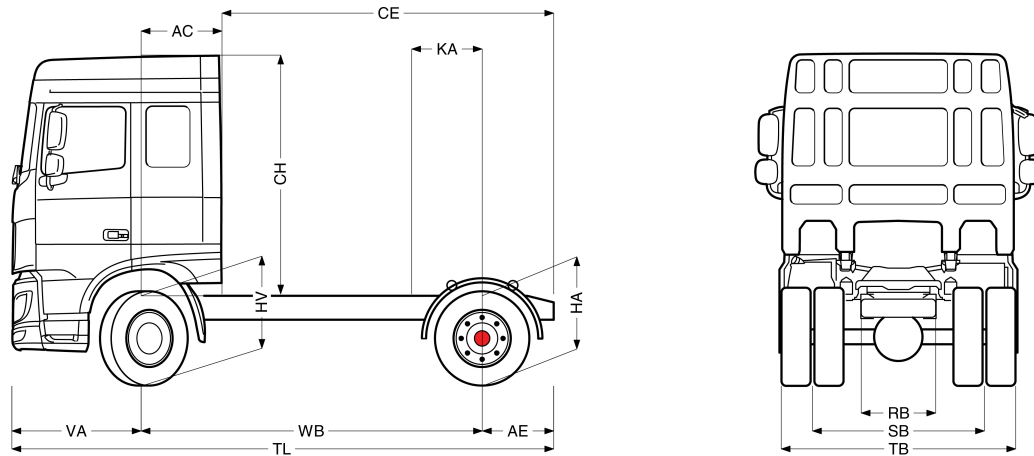
08311 Service interval extended
--



Go to [DAF.com](https://www.daf.com) to configure your own perfect DAF.

XF 450

FT 4X2 Tractor



	Wheelbase - AE		Unladen weight ¹⁾			Gross Carrying Capacity			Variable dimensions								
	WB	AE ⁵⁾	Front	Rear	Total	Front	Rear	Total	AC	CE	CH	KA ⁶⁾	TL	HA ⁷⁾	HA ⁸⁾	TK ⁹⁾	TW ¹⁰⁾
SPACE CAB	3,60	0,75	5273	2369	7642	2727	9131	10358	0,88	3,47	2,56	0,47	5,72	0,97	0,94	12,98	14,33
	3,80	0,75	5329	2399	7728	2671	9101	10272	0,88	3,67	2,56	0,67	5,92	0,97	0,94	13,50	14,86
	4,00	0,75	5369	2457	7826	2631	9043	10174	0,88	3,87	2,56	0,67	6,12	0,97	0,94	14,01	15,38
SUPER SPACE CAB	3,60	0,75	5352	2372	7724	2648	9128	10276	0,88	3,47	2,94	0,47	5,72	0,97	0,94	12,98	14,33
	3,80	0,75	5407	2402	7809	2593	9098	10191	0,88	3,67	2,94	0,67	5,92	0,97	0,94	13,50	14,86
	4,00	0,75	5447	2461	7908	2553	9039	10092	0,88	3,87	2,94	0,67	6,12	0,97	0,94	14,01	15,38

OTHER DIMENSIONS VA: 1,37 HV¹¹⁾: 0,96 HV¹²⁾: 0,87 RB: 0,79 SB: 1,82 TB¹³⁾: 2,48

1) GVM in conformity with registration documents.
 2) GCM in conformity with registration documents.
 3) Axle load with standard tyre size.
 5) Other AE dimensions may be available for shown WB.
 6) Calculate customer specific KA with TOPEC.

7) Unladen height at centre of driven axle(s).
 8) Laden height at centre of driven axle(s).
 9) TK = turning circle between kerbs.
 10) TW = turning circle between walls.
 11) Unladen height at centre of front axle(s).
 12) Laden height at centre of front axle(s).
 13) TB is overall width at rear. (At centre of front axle 255).

Depending on the vehicle configuration a specific option may not be possible. The availability and specification of this vehicle may differ per country. For further information please contact the DAF organisation. Pictures and technical illustrations are not binding in detail and can differ from the standard specification. Subject to modification without prior notice.