

Specification sheet

XD 300

FT 4X2 Tractor, Low Deck



ENGINES

- XD NewGen 300 MX-11 (220 kW / 299 hp)
- XD NewGen 340 MX-11 (251 kW / 341 hp)
- XD NewGen 370 MX-11 (270 kW / 367 hp)
- XD NewGen 410 MX-11 (300 kW / 408 hp)
- XD NewGen 450 MX-11 (330 kW / 449 hp)

GVM¹⁾

- 18000 kg
- Max. front 7500 kg
- Max. rear 11500 kg

GCM²⁾

- 38000 kg

016GG0101BAAA - 202545A - 15-07-2025

DAF Trucks Ltd, UK, Haddenham, HP17 8LJ, www.daf.co.uk

CAB EXTERIOR

; Cab suspension mechanical; LED head lights; DAF Corner View.

Optional

06244 Sleeper High Cab	00949 LED Skylights; aux. LED lights on cab rf, prepared
01226 Cab suspension air	01925 Two LED work lamps for cab rear wall
03358 External sun visor	01891 Hazard beacons on cab front, prepared
06790 Aluminium ladder 1-piece	06629 Two hazard beacon lights
06791 Aluminium ladder 2-piece	03232 Front windscreen with solar control foil
03922 Fog lights front	03317 Rear window: double glass
00936 Auxiliary LED lights on cab roof, prepared	07343 Kerb view window co-driver door
01836 LED Skylights	01358 No DAF Digital Vision System

AERODYNAMICS

Optional

00010 Adj. roof air deflector short Sleeper High Cab	00021 Adj. roof air deflector long low Sleeper High Cab
00138 Adj. rf air defl.long mid >4m(!) Sleeper High Cab	04905 No side collars
01552 Adj. roof air defl. long high >4m(!) Sleeper High	03074 Side collars, both sides hinged
02665 Adj. roof air defl. long mid XD Sleeper High Cab	

COLOURS

Cab colour E1980 Crystal White; Chassis colour grey.; Colour of bumper: Crystal White.

CAB INTERIOR

Cab interior trim colour: Luxury; Dashboard finish: Vision; Cab interior decoration: Hexagon; Driver seat: Comfort Air; Co-driver seat: cinema with fabric cover; No dashboard table; Storage compartment in centre; Automatic Temperature Control and aircoc; Auxiliary cab heater (water).

Optional

02353 Cab interior decoration: Argenta	03948 Single drawer
02350 Cab interior decoration: Natura	03954 Refrigerator
07733 Driver seat: Luxury Air	02854 Xtra Comfort mattress for lower bunk
07736 Driver seat: Super Air	01775 Xtra Comfort mattress with topper for lower bunk
07737 Driver seat: Xtra Leather Air	01177 Luggage carrier
09541 Arm rest driver seat	01066 Upper bunk
01740 Arm rest at both sides of the driver seat	06970 Automatic Cab Climate Control
02837 Dashboard table	

COMMUNICATION AND DRIVING MANAGEMENT

PACCAR Connect; Tachograph digital, Stoneridge version G2V2A; Speed limiter setting 85/90 km/h; Adaptive Cruise Control with FCW and AEBS-3.

Optional

09681 Preparation for Maut	03684 Infotainment including DAF Truck Navigation
03470 Infotainment incl. DAF Truck Nav. and tablet prep.	16161 No audio equipment, makes and types

SAFETY AND SECURITY

Lane Departure Warning System; Vehicle Stability Control (VSC); Basic engine immobiliser system; DAF Side & Turn Assist.

Optional

08631 Air bag (driver) and 2 seat belt tensioners	00795 Safety regulations EC ADP
02178 Main switch with second control in the cab	

SUSPENSION AND AXLES

Front: 8.00 t, parabolic, 163N; Rear axle load 11.50 t; Rear: air suspension, SR1344; No lifting device.

Optional

04647 Front springs air	08191 Axle load monitoring
04588 Rear axle SR1347	

WHEELS AND TYRES

Driven rear axle(s): 315/60R22.5; F1,315/60R22.5GO FMXSE 154/148 L Steering BBB 3P; R1,315/60R22.5GO GFDND 152/148 L Traction BBB 3P.

Optional

16152 Tyre makes and types

DRIVELINE

Engine MX-11, multi torque 6 cylinder diesel engine, 10.8 litres. Output 220 kW (299 hp) at 1600 rpm. Max. torque 1450 Nm at 900-1400 rpm.; Exhaust emission Euro 6; Eco fuel; 12-speed TraXon 12TX1810 OD, 12.92-0.77; Gearbox ratio 12.92-0.77; Rear axle ratio 2.71; ASR.

Optional

07110 Eco performance	08371 Long Combination Vehicle (LCV)
02313 Gearbox direct drive	09638 Off-road applications
01514 Urge-to-move	01498 Off-road applications with Rock-free function
07101 Standard transport, Lite version	02843 Mechanical differential lock
09637 Liquid transport	

BRAKE SYSTEM

Exhaust brake; Ventilated disc brakes front and rear. Dual circuit air system with electronic control (EBS).Engine driven, water cooled air compressor with automatic air heated dryer..

Optional

09921 MX Engine Brake	01497 Park brake control pneumatic with spoken warning
02715 ZF Intarder	04901 Spring brake cylinders on the first front axle
01572 Park brake control electro -pneumatic	

CHASSIS

Wheelbase 3.80 m / rear overhang 0.87 m; Side member height 260 mm; Standard component location; 400 l alu fuel tank LH, height 580 mm; Tank for AdBlue® 40 l, on left-hand mudguard; Front underrun protection (FUP); Catwalk with step; Rear mudguards; Spray suppression; Work lamp LED.

Optional

16157 Fuel tanks, material and sizes	03323 Rear light with LEDs
07071 Spare wheel carrier right-hand side	

DRAWBAR AND TRAILER EQUIPMENT

JOST JSK37C cast iron 150+40mm; Pneumatic trailer connection palm type; Electric connection 24 V / 2x7 pins.

Optional

03178 Towing hook D= 4.3 **16151** 5th wheel makes and heights

BODIES AND PREPARATIONS FOR BODYING

Optional

02811 Tail lift connection Anderson **02812** Tail lift connection REMA

POWER TAKE-OFF (PTO)

Optional

16148 PTO types and positions

24V POWER SUPPLY

Alternator 110 A, batteries 2x 175 Ah..

Optional

04492 Alternator 130 A **07671** Batteries 2x210Ah AGM C-type
08775 Alternator 150 A **06440** Batteries 2x230Ah

GVM AND GCM

Chassis weight related technical GVM max 19500 kg; Driveline related max GCM 38000 kg class 2.

APPLICATION CONDITIONS

Air intake front.

Optional

08400 Silent mode **06614** Anti-dust blow-up shield
02260 Extra cab insulation **06620** Anti-dust blow-up shield + bugscreen
03648 Cyclonic air intake high

SERVICE AND MAINTENANCE

Standard Warranty takes care of 1 year complete vehicle as supplied by the OEM (excl. real wear parts), 2nd year driveline and 1st year breakdown.; ITS service.

Optional

08311 Service interval extended

VEHICLE DELIVERY

Minimum toolkit.

Optional

07569 Lifting jack

OPTION PACKAGES

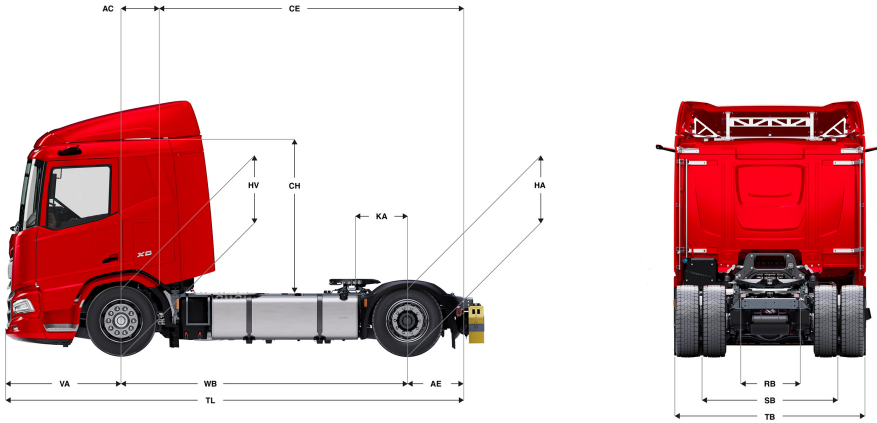
Optional

17448 Safety pack **17595** Executive Pack XD/XF

Go to [DAF.com](https://www.daf.com) to configure your own perfect DAF.

XD 300

FT 4X2 Tractor, Low Deck



	Wheelbase - AE		Unladen weight ¹⁾			Gross Carrying Capacity			Variable dimensions								
	WB	AE ³⁾	Front	Rear	Total	Front	Rear	Total	AC	CE	CH	KA ⁶⁾	TL	HA ⁷⁾	HA ⁸⁾	TK ⁹⁾	TW ¹⁰⁾
SLEEPER CAB	3,60	0,87	5087	2168	7255	2413	9332	10745	0,83	3,64	2,85	0,57	6,00	0,80	0,80	12,97	14,35
	3,80	0,87	5090	2177	7267	2410	9323	10733	0,83	3,84	2,85	0,77	6,20	0,80	0,80	13,49	14,87
SLEEPER HIGH CAB	3,60	0,87	5051	2164	7215	2449	9336	10785	0,83	3,64	2,69	0,57	6,00	0,80	0,80	12,97	14,35
	3,80	0,87	5055	2172	7227	2445	9328	10773	0,83	3,84	2,69	0,77	6,20	0,80	0,80	13,49	14,87

OTHER DIMENSIONS VA: 1,53 HV¹¹⁾: 0,88 HV¹²⁾: 0,83 RB: 0,79 SB: 1,82 TB¹³⁾: 2,48

- 1) GVM in conformity with registration documents.
- 2) GCM in conformity with registration documents.
- 3) Axle load with standard tyre size.
- 4) Chassis and cab weight calculated with: Standard specification items only with 400 litres of fuel, 40 litres of AdBlue® and driver of 90 kg, tolerance ± 3%. Changing of the specification can have major impact on vehicle weight.
- 5) Other AE dimensions may be available for shown WB.
- 6) Calculate customer specific KA with TOPEC.

- 7) Unladen height at centre of driven axle(s).
- 8) Laden height at centre of driven axle(s).
- 9) TK = turning circle between kerbs.
- 10) TW = turning circle between walls.
- 11) Unladen height at centre of front axle(s).
- 12) Laden height at centre of front axle(s).
- 13) TB is overall width at rear. (At centre of front axle 255).

Depending on the vehicle configuration a specific option may not be possible. The availability and specification of this vehicle may differ per country. For further information please contact the DAF organisation. Pictures and technical illustrations are not binding in detail and can differ from the standard specification. Subject to modification without prior notice.