

Specification sheet

XD 310

FT 4X2 Tractor, Electric



ENGINES

XD Electric 270 PACCAR EX-D2 (270 kW /	315 kWh 420 kWh 525 kWh)
XD Electric 310 PACCAR EX-D2 (310kW /	420 kWh 525 kWh)
XD Electric 350 PACCAR EX-D2 (350kW /	420 kWh 525 kWh)

GVM¹⁾

18000 kg

Max. front 8000 kg

Max. rear 11500 kg

GCM²⁾

42000 kg

CAB EXTERIOR

Luxurious Sleeper Cab with unrivalled aerodynamics for fuel efficient driving and low CO2 emissions. The huge and deep frontscreen, curved at the sides combined with large side windows offer an unsurpassed direct view for the driver, to enhance road safety. The cab interior is extremely comfortable for driving, living and sleeping with unprecedented spaciousness and practical layout. Cab length: 2360 mm; cab width: 2500 mm.; Cab suspension mechanical; LED head lights; DAF Corner View.

Optional

07017 Day Cab	00936 Auxiliary LED lights on cab roof, prepared
06244 Sleeper High Cab	01836 LED Skylights
02889 Chassis front execution: no bottom plate	00949 LED Skylights; aux. LED lights on cab rf, prepared
02952 Chassis front execution: bottom plate aero	01925 Two LED work lamps for cab rear wall
07586 Chassis front execution: robust	01891 Hazard beacons on cab front, prepared
01226 Cab suspension air	06629 Two hazard beacon lights
03358 External sun visor	03232 Front windscreen with solar control foil
06790 Aluminium ladder 1-piece	03317 Rear window: double glass
06791 Aluminium ladder 2-piece	07343 Kerb view window co-driver door
03922 Fog lights front	01362 DAF Digital Vision System

AERODYNAMICS

Optional

00010 Adj. roof air deflector short Sleeper High Cab	00118 Adj. roof air deflector for Sleeper Cab
00138 Adj. rf air defl.long mid >4m(!) Sleeper High Cab	00021 Adj. roof air deflector long low Sleeper High Cab
01552 Adj. roof air defl. long high >4m(!) Sleeper High	04906 Side collars, one side hinged
02665 Adj. roof air defl. long mid XD Sleeper High Cab	03074 Side collars, both sides hinged
00094 Adj. roof air deflector for Day Cab	

COLOURS

Cab colour E1980 Crystal White; Chassis colour grey.; Colour of bumper: Crystal White.

CAB INTERIOR

Cab interior trim colour: Luxury; Dashboard finish: Vision; Cab interior decoration: Hexagon; Driver seat: Comfort Air; Co-driver seat: cinema with fabric cover; Dashboard table; Storage compartment in centre; Automatic Temperature Control and airco; Auxiliary cab heater (water).

Optional

02353 Cab interior decoration: Argenta	03948 Single drawer
02350 Cab interior decoration: Natura	03954 Refrigerator
07733 Driver seat: Luxury Air	31364 Without feature: Lower bunk mattress
07736 Driver seat: Super Air	02854 Xtra Comfort mattress for lower bunk
07737 Driver seat: Xtra Leather Air	01775 Xtra Comfort mattress with topper for lower bunk
09541 Arm rest driver seat	01177 Luggage carrier
01740 Arm rest at both sides of the driver seat	01066 Upper bunk
02117 Third seat	06970 Automatic Cab Climate Control
02834 No dashboard table	

COMMUNICATION AND DRIVING MANAGEMENT

PACCAR Connect; Tachograph digital, Stoneridge 1C version G2V2; Speed limiter setting 85/90 km/h; DAF Infotainment Luxury with Luxury speakers; Adaptive Cruise Control with FCW and AEBS-3.

Optional

09681 Preparation for Maut	01915 DAF Infotainment System: Luxury Plus
06211 DAF Infotainment System with FM/DAB/DAB+ radio	16161 No audio equipment, makes and types
03470 DAF Infotainment System: Exclusive, prepared	

SAFETY AND SECURITY

Lane Departure Warning System; Vehicle Stability Control (VSC); Basic engine immobiliser system; DAF Side & Turn Assist.

Optional

08631 Air bag (driver) and 2 seat belt tensioners	02178 Main switch with second control in the cab
--	---

SUSPENSION AND AXLES

Front: 8.00 t, parabolic, 165N; Rear axle load 13.00 t; Rear: air suspension, SR1344; No lifting device.

Optional

01769 Front axle load 7.50 t	04647 Front springs air
06257 Front axle load 9.00 t	08191 Axle load monitoring

WHEELS AND TYRES

Driven rear axle(s): 315/70R22.5; F1,315/70R22.5GO FMXSE 156/150 L Steering BBA 3P; R1,315/70R22.5GO FMXDE 154/150 L Traction BBA 3P.

Optional

16152 Tyre makes and types

DRIVELINE

Electric motor type EX-D2; 310 kW; 150 kW DC charging; Battery Electric Vehicle; Rear axle ratio 2.38; ASR.

Optional

01686 270 kW	01756 325 kW DC charging
01692 350 kW	01514 Urge-to-move
01749 Charging: 150 kW DC + 22 kW AC	02843 Mechanical differential lock

BRAKE SYSTEM

Ventilated disc brakes front and rear. Dual circuit air system with electronic control (EBS). Electric driven, water cooled air compressor with automatic air heated dryer..

Optional

04901 Spring brake cylinders on the first front axle

CHASSIS

Wheelbase 3.90 m / rear overhang 0.99 m; Side member height 260 mm; Standard component location; 4 HV battery packs; HV battery packs left, positions 1 and 2; HV battery pack right, position 1; Front underrun protection (FUP); Catwalk with step; Rear mudguards; Spray suppression; Work lamp LED.

Optional

- | | |
|---|--|
| 01697 3 HV battery packs | 01785 HV battery pack right, position 2 |
| 01701 5 HV battery packs | |
| 01634 HV battery pack left, position 1 | 01791 HV battery packs right, positions 1 and 2 |
| 01635 HV battery pack left, position 2 | 16157 Fuel tanks, material and sizes |

DRAWBAR AND TRAILER EQUIPMENT

JOST JSK42 cast iron 150+40mm; Pneumatic trailer connection palm type; Electric connection 24 V / 2x7 pins.

Optional

- | | |
|---------------------------------|--|
| 03178 Towing hook D= 4.3 | 16151 5th wheel makes and heights |
| 04359 Lead-up ramps | |

BODIES AND PREPARATIONS FOR BODYING

Optional

- | | |
|--|--|
| 02811 Tail lift connection Anderson | 02812 Tail lift connection REMA |
|--|--|

POWER TAKE-OFF (PTO)

Optional

- | | |
|---|---|
| 01809 E-PTO socket 650V DC < 25 kW | 01815 E-PTO socket 650V DC < 60 kW |
|---|---|

24V POWER SUPPLY

Batteries 2x 175 Ah..

Optional

- | | |
|---|--------------------------------|
| 07671 Batteries 2x210Ah AGM C-type | 06440 Batteries 2x230Ah |
|---|--------------------------------|

GVM AND GCM

Chassis weight related technical GVM max 20500 kg; Driveline related max GCM 42000 kg.

APPLICATION CONDITIONS

Optional

- | | |
|-----------------------------------|---------------------------------------|
| 02260 Extra cab insulation | 06614 Anti-dust blow-up shield |
|-----------------------------------|---------------------------------------|

SERVICE AND MAINTENANCE

Standard Warranty takes care of 1 year complete vehicle as supplied by the OEM (excl. real wear parts), 2nd year driveline and 1st year breakdown.; ITS service.

VEHICLE DELIVERY

Minimum toolkit.

Optional

- | |
|---------------------------|
| 07569 Lifting jack |
|---------------------------|

OPTION PACKAGES

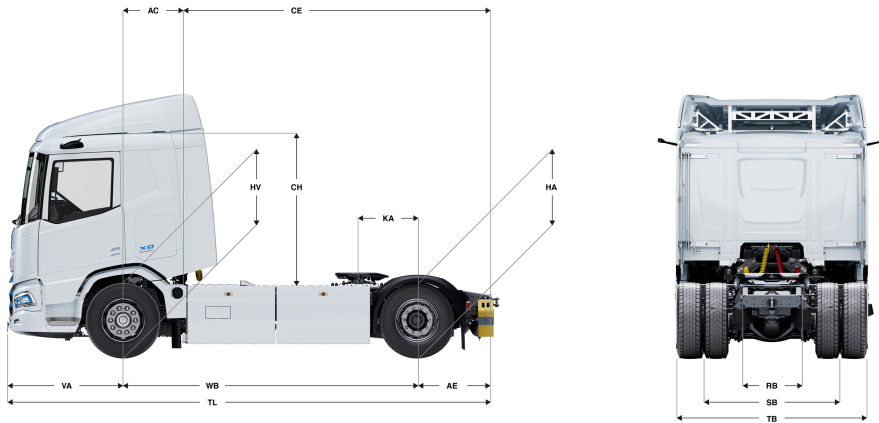
Optional

- | | |
|--------------------------|-----------------------------------|
| 17448 Safety pack | 17595 Executive Pack XD/XF |
|--------------------------|-----------------------------------|

Go to [DAF.com](https://www.daf.com) to configure your own perfect DAF.

XD 310

FT 4X2 Tractor, Electric



	Wheelbase - AE		Unladen weight ¹⁾			Gross Carrying Capacity			Variable dimensions								
	WB	AE ⁵⁾	Front	Rear	Total	Front	Rear	Total	AC	CE	CH	KA ⁶⁾	TL	HA ⁷⁾	HA ⁸⁾	TK ⁹⁾	TW ¹⁰⁾
DAY CAB	3,90	0,99	6481	3284	9765	1519	8216	8235	0,50	4,39	2,06	0,77	6,42	0,97	0,95	13,75	15,14
SLEEPER CAB	3,90	0,99	6577	3286	9862	1423	8214	8138	0,83	4,06	2,06	0,77	6,42	0,97	0,95	13,75	15,14
SLEEPER HIGH CAB	3,90	0,99	6606	3286	9892	1394	8214	8108	0,83	4,06	2,54	0,77	6,42	0,97	0,95	13,75	15,14

OTHER DIMENSIONS VA: 1,53 HV¹¹⁾: 0,97 HV¹²⁾: 0,90 RB: 0,79 SB: 1,82 TB¹³⁾: 2,48

1) GVM in conformity with registration documents.
 2) GCM in conformity with registration documents.
 3) Axle load with standard tyre size.
 4) Chassis and cab weight calculated with: Standard specification items only with driver of (0) kg, tolerance ± 3%. Changing of the specification can have major impact on vehicle weight
 5) Other AE dimensions may be available for shown WB.
 6) Calculate customer specific KA with TOPEC.

7) Unladen height at centre of driven axle(s).
 8) Laden height at centre of driven axle(s).
 9) TK = turning circle between kerbs.
 10) TW = turning circle between walls.
 11) Unladen height at centre of front axle(s).
 12) Laden height at centre of front axle(s).
 13) TB is overall width at rear. (At centre of front axle 255).

Depending on the vehicle configuration a specific option may not be possible. The availability and specification of this vehicle may differ per country. For further information please contact the DAF organisation. Pictures and technical illustrations are not binding in detail and can differ from the standard specification. Subject to modification without prior notice.