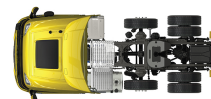


Specification sheet

XF 450

FTG 6X2 Tractor, Non-steered



XF XG XG+

ENGINES

- New Generation XF 370 MX-11 (270 kW / 367 hp)
- New Generation XF 410 MX-11 (300 kW / 408 hp)
- New Generation XF 450 MX-11 (330 kW / 449 hp)
- New Generation XF 430 MX-13 (315 kW / 428 hp)
- New Generation XF 480 MX-13 (355 kW / 483 hp)
- New Generation XF 530 MX-13 (390 kW / 530 hp)

GVM¹⁾

- 25998 kg
- Max. front 8000 kg
- Max. rear 17998 kg

GCM²⁾

- 44000 kg

016G0269GAAA - 202217B - 14-01-2022

DAF Trucks Ltd, UK, Haddenham, HP17 8LJ, www.daf.co.uk

CAB EXTERIOR

Luxurious cab for XF series, with unrivalled aerodynamics for fuel efficient driving and low CO₂ emissions. The huge and deep frontscreen, curved at the sides combined with large side windows offer an unsurpassed direct view for the driver, to enhance road safety. The cab interior is extremely comfortable for driving, living and sleeping with unprecedented spaciousness and practical layout. Cab length: 2360 mm; cab width: 2500 mm.; Cab suspension mechanical; Front view mirror; Central door lock system, 2 keys, 2 RC units.

Optional

01226 Cab suspension air	01836 LED Skylights
03358 External sun visor	00949 LED Skylights; aux. LED
06790 Aluminium ladder 1-piece	lights on cab rf, prepared
06791 Aluminium ladder 2-piece	01891 Hazard beacons on cab
04355 Air horns, prepared	front, prepared
00847 Air horns, single set	06629 Two hazard beacon
09006 Air horns, double set	lights
01043 LED head and cornering	03232 Front windscreen with
lights	solar control foil
03922 Fog lights front	03317 Rear window: double
00936 Auxiliary LED lights on	glass
cab roof, prepared	07343 Kerb view window co-
	driver door
	01886 Laminated glass with
	solar control foil
	01362 DAF Digital Vision
	System
	01913 DAF Corner View

AERODYNAMICS

Optional

01895 Adj. roof air defl. long low	04906 Side collars
over 4m(!) for XF cab	02889 Chassis bottom
01698 Adj. roof air deflector	execution front: high
long high over 4m (!)	02952 Chassis bottom
01818 Adjustable roof air	execution front: bottom
deflector long low	plate aero
01805 Adjustable roof air	
deflector short	

COLOURS

Cab colour E1980 Crystal White; Chassis colour grey..

CAB INTERIOR

Cab interior trim colour: Luxury; Cab interior decoration: Hexagon; Driver seat: Comfort Air; Co-driver seat: cinema with fabric cover; No upper bunk / no luggage carrier; Automatic Temperature Control and airco; Auxiliary cab heater (water).

Optional

02355 Steering wheel, leather	07748 Co-driver seat: Xtra
02353 Cab interior decoration:	Leather Air
Argenta	00967 Seat belts red
02350 Cab interior decoration:	02823 Television, prepared
Natura	03948 Single drawer
07733 Driver seat: Luxury Air	04070 Two drawers
07736 Driver seat: Super Air	03954 Refrigerator
07737 Driver seat: Xtra Leather	04050 Refrigerator and drawer
Air	04069 Two refrigerators
03461 Co-driver seat: cinema +	02854 Xtra Comfort mattress for
table; fabric cover	lower bunk
07741 Co-driver seat: Comfort	01775 Xtra Comfort mattress
Air	with topper for lower
03781 Co-driver seat: cinema	bunk
with alcantara cover	01177 Luggage carrier
07743 Co-driver seat: Luxury Air	01066 Upper bunk
03849 Co-driver seat: cinema +	06970 Automatic Cab Climate
table; alcantara cover	Control
03848 Co-driver seat: cinema	
with leather cover	
07746 Co-driver seat: Super Air	
03862 Co-driver seat: cinema +	
table; leather cover	

COMMUNICATION AND DRIVING MANAGEMENT

Tachograph digital, Stoneridge 1C; Speed limiter setting 85 km/h; Eco off 90 km/h; Antennas: radio, 2x cellular, GNSS; Adaptive Cruise Control with FCW and AEBS-3.

Optional

09681 Preparation for Maut	01915 DAF Infotainment
02828 DAF Infotainment	System: Luxury Plus
System: Exclusive	06991 Predictive Cruise Control
02825 DAF Infotainment	
System: Luxury	

SAFETY AND SECURITY

Lane Departure Warning System; Vehicle Stability Control (VSC); Basic engine immobiliser system.

Optional

08631 Air bag (driver) and 2	06410 Safe Load Pass
seat belt tensioners	preparation
02178 Main switch with second	00795 Safety regulations EC
control in the cab	ADR
01725 Reverse warning	01963 City turn assist

SUSPENSION AND AXLES

Front axle load 8.00 t; Rear axle SR1344; Lifting device.

Optional

01769 Front axle load 7.50 t	04057 Rear axle HR1356
06257 Front axle load 9.00 t	04588 Rear axle SR1347
04647 Front springs air	08191 Axle load monitoring

WHEELS AND TYRES

Front axle(s): 315/70R22.5; Second front or leading axle: 315/70R22.5; Driven rear axle(s): 315/70R22.5; Disc wheels steel, silvergrey; Wheel protection rings silvergrey.

Optional

06877 Disc wheels steel, black	02434 Wheels aluminium Alcoa
06879 Wheels aluminium Alcoa	Dura-Bright 32 mm
Brushed 32 mm	16152 Tyre makes and types

DRIVELINE

Engine MX-11, multi torque 6 cylinder diesel engine, 10.8 litres. Output 330 kW (449 hp) at 1600 rpm. Maximum torque 2350 Nm at 900-1125 rpm.; Exhaust emission Euro 6; Engine idle shutdown, 5 minutes; Automated gearbox, TraXon, 12 speeds; Gearbox ratio 16.69-1.00; Rear axle ratio 2.21; ASR.

Optional

07103 Automated gearbox, TraXon, 16 speeds 02314 Gearbox overdrive

BRAKE SYSTEM

MX Engine Brake; Park brake control pneumatic; Ventilated disc brakes front and rear. Dual circuit air system with electronic control (EBS)..

Optional

02715 ZF Intarder 04901 Spring brake cylinders on the first front axle

CHASSIS

Wheelbase 3.95 m / rear overhang 0.99 m; Side member height 260 mm; Exhaust pipe horizontal, low; Tank for AdBlue® 80 l, on left-hand mudguard; Front underrun protection (FUP); Catwalk with step; Rear mudguards; Spray suppression; Work lamp LED.

Optional

03624 One wheel chock 03323 Rear light with LEDs
06306 Two wheel chocks

DRAWBAR AND TRAILER EQUIPMENT

JOST JSK36DV pressed steel 205+40mm; Fifth wheel KA dimension 920 mm; Lead-up ramps; Pneumatic trailer connection C-type; Electric connection 24 V / 2x7 pins.

BODIES AND PREPARATIONS FOR BODYING

Optional

03225 Application connector flexible 02191 Front support for a DIN mounting plate, prepared

POWER TAKE-OFF (PTO)

Optional

16148 PTO types and positions

ELECTRICAL POWER SUPPLY

Alternator 110 A, batteries 2x 230 Ah..

Optional

04492 Alternator 130 A 08797 Batteries 2x175Ah
08775 Alternator 150 A 07671 Batteries 2x210Ah AGM C-type

GVM AND GCM

Chassis weight related technical GVM max 26600 kg; Driveline related max GCM 50000 kg class 3.

Optional

00200 Driveline related max GCM 38000 kg class 2 00939 Driveline related max GCM 56000 kg class 2
00209 Driveline related max GCM 40000 kg class 3 00818 Driveline related max GCM 60000 kg class 3
03673 Driveline related max GCM 44000 kg class 2

APPLICATION CONDITIONS

Air intake front.

Optional

02260 Extra cab insulation 06614 Anti-dust blow-up shield

SERVICE AND MAINTENANCE

Standard Warranty takes care of 1 year complete vehicle, 2nd year driveline and 1st year breakdown.; ITS service.

Optional

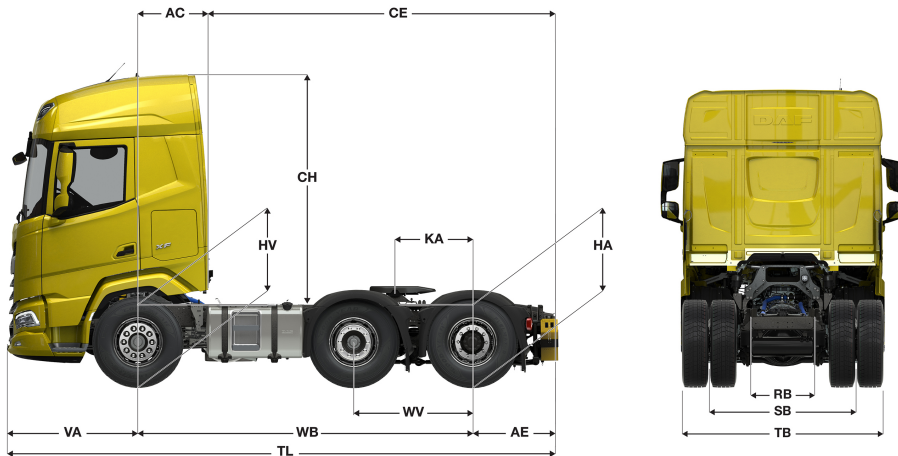
08311 Service interval extended



Go to DAF.com to configure your own perfect DAF.

XF 450

FTG 6X2 Tractor, Non-steered



XF CAB	Wheelbase - AE		Unladen weight ¹⁾			Gross Carrying Capacity			Variable dimensions								
	WB	AE ⁵⁾	Front	Rear	Total	Front	Rear	Total	AC	CE	CH	KA ⁶⁾	TL	HA ⁷⁾	TK ⁹⁾	TW ¹⁰⁾	
	3,95	0,99	4876	3352	8228	3124	14646	17770	0,83	4,11	2,71	0,92	6,47	0,97	0,95	12,66	14,02
OTHER DIMENSIONS VA: 1,53 WV: 1,32 HV ¹¹⁾ : 0,97 HV ¹²⁾ : 0,90 RB: 0,79 SB: 1,82 TB ¹³⁾ : 2,48																	

- 1) GVM in conformity with registration documents.
- 2) GCM in conformity with registration documents.
- 3) Axle load with standard tyre size.
- 4) Chassis and cab weight calculated with: Standard specification items only with 400 litres of fuel, 80 litres of AdBlue® and driver of 90 kg, tolerance ± 3%. Changing of the specification can have major impact on vehicle weight.
- 5) Other AE dimensions may be available for shown WB.
- 6) Calculate customer specific KA with TOPEC.

- 7) Unladen height at centre of driven axle(s).
- 8) Laden height at centre of driven axle(s).
- 9) TK = turning circle between kerbs.
- 10) TW = turning circle between walls.
- 11) Unladen height at centre of front axle(s).
- 12) Laden height at centre of front axle(s).
- 13) TB is overall width at rear. (At centre of front axle 255).

Depending on the vehicle configuration a specific option may not be possible. The availability and specification of this vehicle may differ per country. For further information please contact the DAF organisation. Pictures and technical illustrations are not binding in detail and can differ from the standard specification. Subject to modification without prior notice.