

Specification sheet

XD 220

FAN 6X2 Rigid, Electric



ENGINES

XD Electric 170 PACCAR EX-D1 (170 kW / 210 kWh 315 kWh 420 kWh 525 kWh)
XD Electric 220 PACCAR EX-D1 (220 kW / 315 kWh 420 kWh 525 kWh)
XD Electric 270 PACCAR EX-D1 (270 kW / 315 kWh 420 kWh 525 kWh)
XD Electric 270 PACCAR EX-D2 (270 kW / 315 kWh 420 kWh 525 kWh)
XD Electric 310 PACCAR EX-D2 (310kW / 420 kWh 525 kWh)
XD Electric 350 PACCAR EX-D2 (350kW / 420 kWh 525 kWh)

GVM¹⁾

26000 kg

Max. front 8000 kg

Max. rear 19000 kg

GCM²⁾

29000 kg

CAB EXTERIOR

Luxurious Day Cab with unrivalled aerodynamics for fuel efficient driving and low CO2 emissions. The huge and deep frontscreen, curved at the sides combined with large side windows offer an unsurpassed direct view for the driver, to enhance road safety. Cab length: 2030 mm; cab width: 2500 mm.; Cab suspension mechanical; LED head lights; No DAF Digital Vision System; DAF Corner View; Rear view camera.

Optional

07018 Sleeper Cab	01925 Two LED work lamps for cab rear wall
06244 Sleeper High Cab	01891 Hazard beacons on cab front, prepared
02889 Chassis front execution: no bottom plate	06629 Two hazard beacon lights
02952 Chassis front execution: bottom plate aero	07201 Skylights
03353 Chassis front execution: protruding	03232 Front windscreen with solar control foil
07586 Chassis front execution: robust	03317 Rear window: double glass
01226 Cab suspension air	07343 Kerb view window co-driver door
04355 Air horns, prepared	01886 Laminated glass with solar control foil
00847 Air horns, single set	01354 No main mirrors
09006 Air horns, double set	01362 DAF Digital Vision System
00330 LED head and fog lights	01912 No DAF Corner View
00346 LED head and cornering lights	06497 No rear view camera
00354 LED head, cornering and fog lights	03151 Rear view camera with prep for 2nd camera
02591 High Beam Assist	

AERODYNAMICS

No roof air deflector; No roof air deflector; No side collars.

Optional

02482 Adj. rf air defl. long mid for XD Sleeper High Cab	01818 Adj. roof air deflector long low Sleeper High Cab
01698 Adj rf air defl. long high >4m(!) Sleeper High Cab	01805 Adj. roof air defl. short for Sleeper High Cab
07332 Adj. roof air deflector for Day Cab	04906 Side collars, one side hinged
07340 Adj. roof air deflector for Sleeper Cab	03074 Side collars, both sides hinged
07347 Adj. rf air defl. long mid >4m(!) Sleeper High Cab	16150 No roof air deflectors, types and settings

COLOURS

Cab colour E1980 Crystal White; Lower cab step Stone Grey; Chassis colour grey.; Colour of bumper: Crystal White.

Optional

07481 Lower cab step Brilliant White	03003 Colour of bumper: grey
04868 Lower cab step Crystal White	02989 Colour of bumper: Brilliant White
07480 Lower cab step in cab colour	02990 Colour of bumper: cab colour
16159 No cab and chassis colours	

CAB INTERIOR

Steering wheel, black; Cab interior trim colour: Luxury; Cab interior decoration: Hexagon; Driver seat: Comfort Air; Co-driver seat: cinema with fabric cover; No dashboard table; Automatic Temperature Control and airco; Park air conditioning, integrated.

Optional

02354 Steering wheel with silver accents	03848 Co-driver seat: cinema with leather cover
02355 Steering wheel, leather	07746 Co-driver seat: Super Air
02353 Cab interior decoration: Argenta	03862 Co-driver seat: cinema + table; leather cover
02350 Cab interior decoration: Natura	07748 Co-driver seat: Xtra Leather Air
07733 Driver seat: Luxury Air	02117 Third seat
07736 Driver seat: Super Air	02837 Dashboard table
07737 Driver seat: Xtra Leather Air	03948 Single drawer
03461 Co-driver seat: cinema + table; fabric cover	03954 Refrigerator
07741 Co-driver seat: Comfort Air	02838 Foam mattress for lower bunk
03781 Co-driver seat: cinema with alcantara cover	02854 Xtra Comfort mattress for lower bunk
07743 Co-driver seat: Luxury Air	01775 Xtra Comfort mattress with topper for lower bunk
03849 Co-driver seat: cinema + table; alcantara cover	04258 Roof hatch, electric control

COMMUNICATION AND DRIVING MANAGEMENT

PACCAR Connect; Tachograph digital, Stoneridge version G2V2A; Speed limiter setting 85/90 km/h; Infotainment basic; Adaptive Cruise Control with FCW and AEBS-3; No Predictive Cruise Control.

Optional

07020 PACCAR Connect with navigation	01219 Speakers: Exclusive
07021 PACCAR Connect with navigation and tablet software	06991 Predictive Cruise Control
03470 Infotainment incl. DAF Truck Nav. and tablet prep.	06992 Predictive Cruise Control lite
03684 Infotainment including DAF Truck Navigation	

SAFETY AND SECURITY

Speed limit recognition; DAF drowsiness detection; Lane Departure Warning System; Drive-off Assist; DAF Side & Turn Assist.

Optional

08631 Air bag (driver) and 2 seat belt tensioners	03628 DAF drowsiness & distraction detection
02567 No Traffic Sign Assist	01929 No Drive-off Assist
02569 No Driver State Monitoring	01952 No DAF Side/Turn Assist

SUSPENSION AND AXLES

Front: 8.00 t, parabolic, 163N; Front springs parabolic; Rear axle SR1344; Rear springs air; Rear axle load 13.00 t; Rear: 20.00 t, air suspension, SR1344; Trailing axle load 8.0t; Lifting device.

Optional

04813 Front: 8.00 t, parabolic, 165N	07114 Front: 10.00 t, parabolic, 203L
02509 Front: 8.00 t, parabolic, 167N	02460 Front: 8.00 t, air suspension, 161N
02426 Front: 9.00 t, parabolic, 183N	04647 Front springs air
00300 Front: 9.00 t, parabolic, 187N	08191 Axle load monitoring

WHEELS AND TYRES

Front axle(s): 315/70R22.5; Driven rear axle(s): 315/70R22.5;
Second driven rear or trailing axle: 315/70R22.5; Goodyear; Tyre
pressure monitoring.

Optional

- 08101** No tyre pressure monitoring
16152 Tyre makes and types

DRIVELINE

; 220 kW; 150 kW DC charging; Rear axle ratio 2.38; No differential
lock.

Optional

- 01656** Electric motor type EX-D2
01664 170 kW
01686 270 kW
01691 310 kW
01692 350 kW
01749 Charging: 150 kW DC +
22 kW AC
01756 325 kW DC charging
03677 Charging: 325 kW DC +
22 kW AC
02843 Mechanical differential
lock

BRAKE SYSTEM

Park brake control electro-pneumatic; No brake resistor; Park brake
electro-pneumatic; Driven rear axle with disc brakes.

Optional

- 04901** Spring brake cylinders on the first front axle
03969 Park brake assist
01857 Brake resistor

CHASSIS

Wheelbase 4.60 m / rear overhang 2.55 m; Side member 260/7.0
mm, full length reinforcement; Side member height 260 mm; No HV
battery pack at position L1; HV battery pack at position L2; No HV
battery pack at position L3; No HV battery pack at position R1; HV
battery pack at position R2; No HV battery pack at position R3.

Optional

- 02601** Side member height 310 mm
01699 4 HV battery packs
01701 5 HV battery packs
16157 Fuel tanks, material and
sizes

DRAWBAR AND TRAILER EQUIPMENT

Closing member D-value = 0kN.

BODIES AND PREPARATIONS FOR BODYING

Optional

- 09421** Additional spare wiring
02950 Application connector for hydraulic platform
09240 Application connector for refuse coll. (EN1501-1)

POWER TAKE-OFF (PTO)

Optional

- 01809** E-PTO socket 650V DC < 25 kW
04320 E-PTO socket 650V DC < 90 kW
07853 ePTO control at ignition OFF
07852 ePTO control at ignition ON

24V POWER SUPPLY

Batteries 2x 175 Ah..

GVM AND GCM

Chassis weight related technical GVM max 27000 kg; Driveline
related max GCM 29000 kg.

Optional

- 01933** Driveline related max GCM 42000 kg
01937 Driveline related max GCM 46000 kg
02200 Driveline related max GCM 46000 kg class 2
03675 Driveline related max GCM 50000 kg class 3

APPLICATION CONDITIONS

Regular cab insulation.

Optional

- 02260** Extra cab insulation

SERVICE AND MAINTENANCE

Standard Warranty takes care of 1 year complete vehicle as supplied
by the OEM (excl. real wear parts), 2nd year driveline and 1st year
breakdown.; ITS service.

VEHICLE DELIVERY

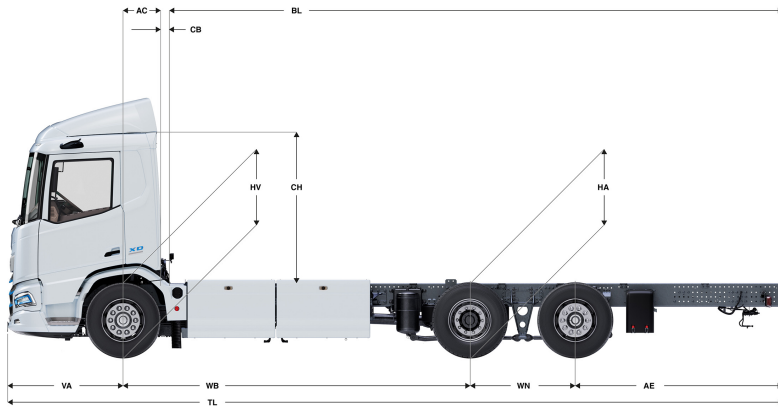
Optional

- 02008** No toolkit
02019 Standard toolkit
06491 Toolkit Eastern Europe

Go to [DAF.com](https://www.daf.com) to configure your own perfect DAF.

XD 220

FAN 6X2 Rigid, Electric



	Wheelbase - AE		Unladen weight ⁹⁾			Gross Carrying Capacity			Variable dimensions									
	WB	AE ⁵⁾	Front	Rear	Total	Front	Rear	Total	AC	CB ⁶⁾	CH ⁷⁾	BL ⁸⁾	BL	TL	HA ⁹⁾	HA ¹⁰⁾	TK ¹¹⁾	TW ¹²⁾
DAY CAB	3,80	2,05	6076	3692	9768	1924	15308	16232	0,50	0,07	2,06	6,58	6,58	8,78	0,97	0,94	13,50	14,88
	3,90	2,50	5669	4405	10074	2331	14595	15926	0,50	0,07	2,01	6,51	6,51	9,33	1,02	0,99	13,75	15,14
	4,00	2,40	6123	3785	9908	1877	15215	16092	0,50	0,07	2,01	6,95	6,95	9,33	1,02	0,99	14,01	15,41
	4,20	2,40	5724	4215	9938	2276	14785	16062	0,50	0,07	2,06	7,07	7,07	9,53	0,97	0,94	14,53	15,94
	4,40	2,55	5798	4265	10063	2202	14735	15937	0,50	0,07	2,06	7,45	7,45	9,88	0,97	0,94	15,05	16,46
	4,60	2,55	5860	4212	10072	2140	14788	15928	0,50	0,07	2,06	7,84	7,84	10,08	0,97	0,94	15,57	16,99
	4,80	2,70	5912	4218	10130	2088	14782	15870	0,50	0,07	2,06	8,22	8,22	10,43	0,97	0,94	16,09	17,52
	5,05	2,90	5957	4186	10143	2043	14814	15857	0,50	0,07	2,06	8,68	8,68	10,88	0,97	0,94	16,74	18,18
	5,30	3,15	5991	4167	10158	2009	14833	15842	0,50	0,07	2,06	9,14	9,14	11,38	0,97	0,94	17,39	18,84
5,60	3,15	6389	3827	10216	1611	15173	15784	0,50	0,07	2,01	9,95	9,95	11,68	1,02	1,00	18,18	19,63	
6,10	2,90	6493	3797	10290	1507	15203	15710	0,50	0,07	2,01	10,94	10,94	11,93	1,02	1,00	19,49	20,96	
SLEEPER CAB	WB	AE ⁵⁾	Front	Rear	Total	Front	Rear	Total	AC	CB ⁶⁾	CH ⁷⁾	BL ⁸⁾	BL	TL	HA ⁹⁾	HA ¹⁰⁾	TK ¹¹⁾	TW ¹²⁾
	4,20	2,40	5831	4218	10049	2169	14782	15951	0,83	0,07	2,06	6,47	6,47	9,53	0,97	0,94	14,53	15,94
	4,40	2,55	5906	4268	10174	2094	14732	15826	0,83	0,07	2,06	6,85	6,85	9,88	0,97	0,94	15,05	16,46
	4,60	2,55	5968	4215	10183	2032	14785	15817	0,83	0,07	2,06	7,23	7,23	10,08	0,97	0,94	15,57	16,99
	4,80	2,70	6020	4221	10241	1980	14779	15759	0,83	0,07	2,06	7,62	7,62	10,43	0,97	0,94	16,09	17,52
	5,05	2,90	6065	4189	10254	1935	14811	15746	0,83	0,07	2,06	8,09	8,09	10,88	0,97	0,94	16,74	18,18
	5,30	3,15	6100	4169	10269	1900	14831	15731	0,83	0,07	2,06	8,55	8,55	11,38	0,97	0,94	17,39	18,84
5,60	3,15	6494	3829	10324	1506	15171	15676	0,83	0,07	2,01	9,37	9,37	11,68	1,02	1,00	18,18	19,63	
6,10	2,90	6599	3799	10398	1401	15201	15602	0,83	0,07	2,01	10,37	10,37	11,93	1,02	1,00	19,49	20,96	
SLEEPER HIGH CAB	WB	AE ⁵⁾	Front	Rear	Total	Front	Rear	Total	AC	CB ⁶⁾	CH ⁷⁾	BL ⁸⁾	BL	TL	HA ⁹⁾	HA ¹⁰⁾	TK ¹¹⁾	TW ¹²⁾
	4,20	2,40	5862	4217	10080	2138	14783	15920	0,83	0,07	2,54	6,48	6,48	9,53	0,97	0,94	14,53	15,94
	4,40	2,55	5937	4267	10204	2063	14733	15796	0,83	0,07	2,54	6,86	6,86	9,88	0,97	0,94	15,05	16,46
	4,60	2,55	5999	4214	10213	2001	14786	15787	0,83	0,07	2,54	7,26	7,26	10,08	0,97	0,94	15,57	16,99
	4,80	2,70	6051	4220	10271	1949	14780	15729	0,83	0,07	2,54	7,64	7,64	10,43	0,97	0,94	16,09	17,52
	5,05	2,90	6096	4188	10285	1904	14812	15715	0,83	0,07	2,54	8,10	8,10	10,88	0,97	0,94	16,74	18,18
	5,30	3,15	6130	4169	10299	1870	14831	15701	0,83	0,07	2,54	8,56	8,56	11,38	0,97	0,94	17,39	18,84
5,60	3,15	6525	3829	10354	1475	15171	15646	0,83	0,07	2,49	9,39	9,39	11,68	1,02	1,00	18,18	19,63	
6,10	2,90	6629	3799	10428	1371	15201	15572	0,83	0,07	2,49	10,38	10,38	11,93	1,02	1,00	19,49	20,96	

OTHER DIMENSIONS VA: 1,53 WN: 1,40 HV¹³⁾: 0,95 HV¹⁴⁾: 0,90 RB: 0,79 SB: 1,82 TB¹⁵⁾: 2,48

1) GVM in conformity with registration documents.
 2) GCM in conformity with registration documents.
 3) Axle load with standard tyre size.
 4) Chassis and cab weight calculated with: Standard specification items only with driver of (0) kg, tolerance ± 3%. Changing of the specification can have major impact on vehicle weight
 5) Other AE dimensions may be available for shown WB. Modify rear overhang to the calculated body length.
 6) CB is based on standard air intake and/or exhaust.
 7) Cab height is measured from frame member to closed cabin roof hatch.

8) Calculate customer specific body length with TOPEC. Body lengths shown based on evenly distributed load at max axle load.
 9) Unladen height at centre of driven axle (trailing axle down).
 10) Laden height at centre of driven axle(s).
 11) TK = turning circle between kerbs.
 12) TW = turning circle between walls.
 13) Unladen height at centre of front axle(s).
 14) Laden height at centre of front axle(s).
 15) TB is overall width at rear. (At centre of front axle 255).

Depending on the vehicle configuration a specific option may not be possible. The availability and specification of this vehicle may differ per country. For further information please contact the DAF organisation. Pictures and technical illustrations are not binding in detail and can differ from the standard specification. Subject to modification without prior notice.