

# Specification sheet

## XD 300

FA 4X2 Rigid



### ENGINES

XD NewGen 300 MX-11 (220 kW / 299 hp)
XD NewGen 340 MX-11 (251 kW / 341 hp)
XD NewGen 370 MX-11 (270 kW / 367 hp)
XD NewGen 410 MX-11 (300 kW / 408 hp)
XD NewGen 450 MX-11 (330 kW / 449 hp)

### GVM<sup>1)</sup>

18000 kg
Max. front 8000 kg
Max. rear 11500 kg

### GCM<sup>2)</sup>

38000 kg

## CAB EXTERIOR

Luxurious Day Cab with unrivalled aerodynamics for fuel efficient driving and low CO2 emissions. The huge and deep frontscreen, curved at the sides combined with large side windows offer an unsurpassed direct view for the driver, to enhance road safety. Cab length: 2030 mm; cab width: 2500 mm. Number of cab entrance steps: 2.; Cab suspension mechanical; LED head lights; DAF Digital Vision System; DAF Corner View; Rear view camera.

### Optional

<b>07018</b> Sleeper Cab	<b>01925</b> Two LED work lamps for cab rear wall
<b>06244</b> Sleeper High Cab	<b>01891</b> Hazard beacons on cab front, prepared
<b>02889</b> Chassis front execution: no bottom plate	<b>06629</b> Two hazard beacon lights
<b>02952</b> Chassis front execution: bottom plate aero	<b>07201</b> Skylights
<b>03353</b> Chassis front execution: protruding	<b>03232</b> Front windscreen with solar control foil
<b>07586</b> Chassis front execution: robust	<b>03317</b> Rear window: double glass
<b>01226</b> Cab suspension air	<b>07343</b> Kerb view window co-driver door
<b>04355</b> Air horns, prepared	<b>01886</b> Laminated glass with solar control foil
<b>00847</b> Air horns, single set	<b>01355</b> Main mirrors
<b>09006</b> Air horns, double set	<b>01358</b> No DAF Digital Vision System
<b>00330</b> LED head and fog lights	<b>01912</b> No DAF Corner View
<b>00346</b> LED head and cornering lights	<b>06497</b> No rear view camera
<b>00354</b> LED head, cornering and fog lights	<b>03151</b> Rear view camera with prep for 2nd camera
<b>02591</b> High Beam Assist	

## AERODYNAMICS

Adj. roof air deflector for Day Cab; Adj. roof air deflector for Day Cab; No side collars; No side skirts.

### Optional

<b>02482</b> Adj. rf air defl. long mid for XD Sleeper High Cab	<b>01805</b> Adj. roof air defl. short for Sleeper High Cab
<b>01698</b> Adj rf air defl. long high >4m(!) Sleeper High Cab	<b>04898</b> No roof air deflector
<b>07340</b> Adj. roof air deflector for Sleeper Cab	<b>04906</b> Side collars, one side hinged
<b>07347</b> Adj. rf air defl. long mid >4m(!) Sleeper High Cab	<b>03074</b> Side collars, both sides hinged
<b>01818</b> Adj. roof air deflector long low Sleeper High Cab	<b>16154</b> Roof air deflectors, types and settings

## COLOURS

Cab colour E1980 Crystal White; Lower cab step Stone Grey; Chassis colour grey.; Colour of bumper: Crystal White.

### Optional

<b>07481</b> Lower cab step Brilliant White	<b>03003</b> Colour of bumper: grey
<b>04868</b> Lower cab step Crystal White	<b>02989</b> Colour of bumper: Brilliant White
<b>07480</b> Lower cab step in cab colour	<b>02990</b> Colour of bumper: cab colour
<b>16153</b> Cab and chassis colours	

## CAB INTERIOR

Steering wheel, black; Cab interior trim colour: Luxury; Cab interior decoration: Hexagon; Driver seat: Comfort Air; Co-driver seat: cinema with fabric cover; No dashboard table; Automatic Temperature Control and airco; No park air conditioning.

### Optional

<b>02354</b> Steering wheel with silver accents	<b>07746</b> Co-driver seat: Super Air
<b>02355</b> Steering wheel, leather	<b>03862</b> Co-driver seat: cinema + table; leather cover
<b>02353</b> Cab interior decoration: Argenta	<b>07748</b> Co-driver seat: Xtra Leather Air
<b>02350</b> Cab interior decoration: Natura	<b>02117</b> Third seat
<b>07733</b> Driver seat: Luxury Air	<b>02837</b> Dashboard table
<b>07736</b> Driver seat: Super Air	<b>03948</b> Single drawer
<b>07737</b> Driver seat: Xtra Leather Air	<b>03954</b> Refrigerator
<b>03461</b> Co-driver seat: cinema + table; fabric cover	<b>02838</b> Foam mattress for lower bunk
<b>07741</b> Co-driver seat: Comfort Air	<b>02854</b> Xtra Comfort mattress for lower bunk
<b>03781</b> Co-driver seat: cinema with alcantara cover	<b>01775</b> Xtra Comfort mattress with topper for lower bunk
<b>07743</b> Co-driver seat: Luxury Air	<b>04840</b> Disposable roof hatch prepared for parking cooler
<b>03849</b> Co-driver seat: cinema + table; alcantara cover	<b>04258</b> Roof hatch, electric control
<b>03848</b> Co-driver seat: cinema with leather cover	

## COMMUNICATION AND DRIVING MANAGEMENT

PACCAR Connect; Tachograph digital, Stoneridge version G2V2A; Speed limiter setting 85/90 km/h; Infotainment basic; Adaptive Cruise Control with FCW and AEBS-3; Predictive Cruise Control.

### Optional

<b>07020</b> PACCAR Connect with navigation	<b>03684</b> Infotainment including DAF Truck Navigation
<b>07021</b> PACCAR Connect with navigation and tablet software	<b>01219</b> Speakers: Exclusive
<b>03470</b> Infotainment incl. DAF Truck Nav. and tablet prep.	<b>06990</b> No Predictive Cruise Control

## SAFETY AND SECURITY

Speed limit recognition; DAF drowsiness detection; Lane Departure Warning System; Drive-off Assist; DAF Side & Turn Assist.

### Optional

<b>08631</b> Air bag (driver) and 2 seat belt tensioners	<b>00795</b> Safety regulations EC ADR
<b>02567</b> No Traffic Sign Assist	<b>16156</b> EC-ADR packages
<b>02569</b> No Driver State Monitoring	<b>01929</b> No Drive-off Assist
<b>03628</b> DAF drowsiness & distraction detection	<b>01952</b> No DAF Side/Turn Assist

## SUSPENSION AND AXLES

Front: 8.00 t, parabolic, 163N; Front springs parabolic; Rear axle SR1344; Rear springs air; Rear axle load 13.00 t; Rear: air suspension, SR1344; No lifting device.

### Optional

<b>04813</b> Front: 8.00 t, parabolic, 165N	<b>04647</b> Front springs air
<b>02509</b> Front: 8.00 t, parabolic, 167N	<b>04057</b> Rear axle HR1356
<b>02426</b> Front: 9.00 t, parabolic, 183N	<b>04588</b> Rear axle SR1347
<b>00300</b> Front: 9.00 t, parabolic, 187N	<b>01603</b> Rear springs parabolic
<b>02460</b> Front: 8.00 t, air suspension, 161N	<b>08191</b> Axle load monitoring

## WHEELS AND TYRES

Front axle(s): 315/70R22.5; Driven rear axle(s): 315/70R22.5;  
Goodyear; Tyre pressure monitoring.

### Optional

- 08101** No tyre pressure monitoring  
**16152** Tyre makes and types

## DRIVELINE

Engine MX-11, multi torque 6 cylinder diesel engine, 10.8 litres.  
Output 220 kW (299 hp) at 1600 rpm. Max. torque 1450 Nm at 900-1400 rpm.; Automated gearbox, TraXon, 12 speeds.; Automated gearbox type TraXon 12TX1810, ratio 12.92-0.77, 12 speeds.; Rear axle ratio 3.08; No differential lock.

### Optional

- 09889** Automatic gearbox, 6 speeds  
**02843** Mechanical differential lock

## BRAKE SYSTEM

Park brake control pneumatic; Park brake pneumatic; Driven rear axle with disc brakes.

### Optional

- 02366** MX Engine Brake  
**02281** ZF Intarder  
**02304** MX Engine Brake and ZF Intarder  
**02715** ZF Intarder  
**01572** Park brake control electro-pneumatic  
**01497** Park brake control pneumatic with spoken warning  
**04901** Spring brake cylinders on the first front axle  
**04375** Park brake electro-pneumatic  
**03969** Park brake assist  
**00929** Driven rear axle with drum brakes

## CHASSIS

Wheelbase 4.00 m / rear overhang 1.70 m; Side member 260/7.0 mm, no reinforcement; Side member height 260 mm; 340 l alu fuel tank LH, height 620 mm; Tank for AdBlue® 45 l, left-hand side chassis.

### Optional

- 02601** Side member height 310 mm  
**16157** Fuel tanks, material and sizes

## DRAWBAR AND TRAILER EQUIPMENT

Closing member D-value = 0kN.

## BODIES AND PREPARATIONS FOR BODYING

### Optional

- 02729** Application connector Plug & Play  
**09421** Additional spare wiring  
**09240** Application connector for refuse coll. (EN1501-1)

## POWER TAKE-OFF (PTO)

### Optional

- 16148** PTO types and positions

## 24V POWER SUPPLY

Alternator 110 A, batteries 2x 140 Ah..

## GVM AND GCM

Chassis weight related technical GVM max 20500 kg; Driveline related max GCM 38000 kg class 2.

### Optional

- 04330** Driveline related max GCM 27000 kg class 2  
**00209** Driveline related max GCM 40000 kg class 3  
**03673** Driveline related max GCM 44000 kg class 2  
**03675** Driveline related max GCM 50000 kg class 3  
**00939** Driveline related max GCM 56000 kg class 2  
**00818** Driveline related max GCM 60000 kg class 3

## APPLICATION CONDITIONS

Regular cab insulation; Air intake front.

### Optional

- 08400** Silent mode  
**02260** Extra cab insulation  
**03648** Cyclonic air intake high

## SERVICE AND MAINTENANCE

Standard Warranty takes care of 1 year complete vehicle as supplied by the OEM (excl. real wear parts), 2nd year driveline and 1st year breakdown.; ITS service.

### Optional

- 08311** Service interval extended

## VEHICLE DELIVERY

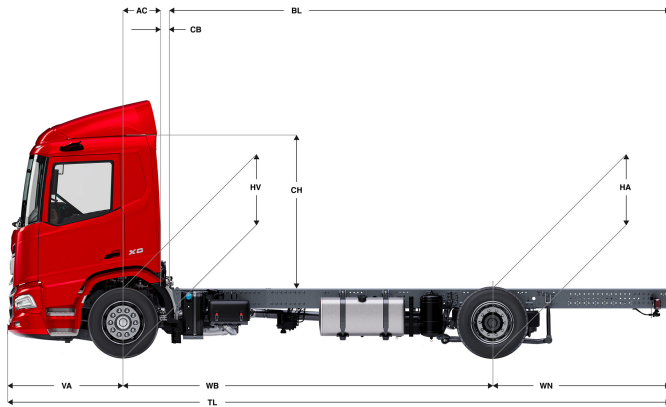
### Optional

- 02008** No toolkit  
**02019** Standard toolkit  
**06492** Toolkit Türkiye  
**06491** Toolkit Eastern Europe

Go to [DAF.com](https://www.daf.com) to configure your own perfect DAF.

# XD 300

## FA 4X2 Rigid



	Wheelbase - AE		Unladen weight <sup>1)</sup>			Gross Carrying Capacity			Variable dimensions									
	WB	AE <sup>2)</sup>	Front	Rear	Total	Front	Rear	Total	AC	CB <sup>6)</sup>	CH <sup>7)</sup>	BL <sup>8)</sup>	BL	TL	HA <sup>9)</sup>	HA <sup>10)</sup>	TK <sup>11)</sup>	TW <sup>12)</sup>
DAY CAB	3,80	1,30	4769	1902	6671	3231	9598	11329	0,50	0,07	2,82	4,69	4,95	6,63	0,97	0,94	13,50	14,88
	4,00	1,70	4736	1945	6681	3264	9555	11319	0,50	0,07	2,82	4,97	5,26	7,23	0,97	0,94	14,01	15,41
	4,20	1,80	4741	1978	6719	3259	9522	11281	0,50	0,07	2,82	5,28	5,58	7,53	0,97	0,94	14,53	15,94
	4,50	1,95	4737	2024	6761	3263	9476	11239	0,50	0,07	2,82	5,73	6,04	7,98	0,97	0,94	15,31	16,73
	4,70	2,05	4732	2045	6777	3268	9455	11223	0,50	0,07	2,82	6,03	6,36	8,28	0,97	0,94	15,83	17,26
	4,90	2,35	4720	2080	6801	3280	9420	11199	0,50	0,07	2,82	6,33	6,66	8,78	0,97	0,94	16,35	17,79
	5,10	2,75	4769	2226	6995	3231	9274	11005	0,50	0,07	2,82	6,63	7,00	9,38	0,97	0,94	16,87	18,31
	5,40	2,65	4778	2235	7013	3222	9265	10987	0,50	0,07	2,82	7,08	7,47	9,58	0,97	0,94	17,66	19,11
	5,70	2,65	4788	2258	7046	3212	9242	10954	0,50	0,07	2,82	7,54	7,96	9,88	0,97	0,94	18,44	19,90
	6,10	2,80	4800	2315	7115	3200	9185	10885	0,50	0,07	2,82	8,15	8,59	10,43	0,97	0,94	19,49	20,96
6,60	3,45	4742	2318	7060	3258	9182	10940	0,50	0,07	2,77	8,86	9,34	11,58	1,02	0,99	20,80	22,28	
6,90	3,50	4746	2336	7082	3254	9164	10918	0,50	0,07	2,77	9,33	9,82	11,93	1,02	0,99	21,59	23,07	
SLEEPER CAB	WB	AE <sup>2)</sup>	Front	Rear	Total	Front	Rear	Total	AC	CB <sup>6)</sup>	CH <sup>7)</sup>	BL <sup>8)</sup>	BL	TL	HA <sup>9)</sup>	HA <sup>10)</sup>	TK <sup>11)</sup>	TW <sup>12)</sup>
	3,80	1,30	4906	1896	6803	3094	9604	11197	0,83	0,07	2,82	4,09	4,36	6,63	0,97	0,94	13,50	14,88
	4,00	1,70	4872	1940	6812	3128	9560	11188	0,83	0,07	2,82	4,37	4,66	7,23	0,97	0,94	14,01	15,41
	4,20	1,80	4877	1973	6851	3123	9527	11149	0,83	0,07	2,82	4,69	4,98	7,53	0,97	0,94	14,53	15,94
	4,50	1,95	4873	2019	6892	3127	9481	11108	0,83	0,07	2,82	5,13	5,46	7,98	0,97	0,94	15,31	16,73
	4,70	2,05	4867	2041	6908	3133	9459	11092	0,83	0,07	2,82	5,43	5,77	8,28	0,97	0,94	15,83	17,26
	4,90	2,35	4856	2077	6932	3144	9423	11068	0,83	0,07	2,82	5,73	6,09	8,78	0,97	0,94	16,35	17,79
	5,10	2,75	4905	2222	7127	3095	9278	10873	0,83	0,07	2,82	6,05	6,41	9,38	0,97	0,94	16,87	18,31
	5,40	2,65	4913	2232	7144	3087	9268	10856	0,83	0,07	2,82	6,51	6,90	9,58	0,97	0,94	17,66	19,11
	5,70	2,65	4923	2255	7178	3077	9245	10822	0,83	0,07	2,82	6,98	7,38	9,88	0,97	0,94	18,44	19,90
6,10	2,80	4934	2312	7247	3066	9188	10753	0,83	0,07	2,82	7,59	8,02	10,43	0,97	0,94	19,49	20,96	
6,60	3,45	4878	2316	7194	3122	9184	10806	0,83	0,07	2,77	8,32	8,79	11,58	1,02	0,99	20,80	22,28	
6,90	3,50	4882	2333	7216	3118	9167	10784	0,83	0,07	2,77	8,77	9,26	11,93	1,02	0,99	21,59	23,07	
SLEEPER HIGH CAB	WB	AE <sup>2)</sup>	Front	Rear	Total	Front	Rear	Total	AC	CB <sup>6)</sup>	CH <sup>7)</sup>	BL <sup>8)</sup>	BL	TL	HA <sup>9)</sup>	HA <sup>10)</sup>	TK <sup>11)</sup>	TW <sup>12)</sup>
	3,80	1,30	4878	1891	6769	3122	9609	11231	0,83	0,07	2,68	4,08	4,35	6,63	0,97	0,94	13,50	14,88
	4,00	1,70	4844	1935	6779	3156	9565	11221	0,83	0,07	2,68	4,36	4,65	7,23	0,97	0,94	14,01	15,41
	4,20	1,80	4849	1968	6817	3151	9532	11183	0,83	0,07	2,68	4,67	4,96	7,53	0,97	0,94	14,53	15,94
	4,50	1,95	4845	2014	6859	3155	9486	11141	0,83	0,07	2,68	5,12	5,44	7,98	0,97	0,94	15,31	16,73
	4,70	2,05	4839	2036	6875	3161	9464	11125	0,83	0,07	2,68	5,42	5,76	8,28	0,97	0,94	15,83	17,26
	4,90	2,35	4827	2072	6899	3173	9428	11101	0,83	0,07	2,68	5,72	6,06	8,78	0,97	0,94	16,35	17,79
	5,10	2,75	4876	2217	7093	3124	9283	10907	0,83	0,07	2,68	6,02	6,40	9,38	0,97	0,94	16,87	18,31
	5,40	2,65	4884	2227	7111	3116	9273	10889	0,83	0,07	2,68	6,50	6,89	9,58	0,97	0,94	17,66	19,11
	5,70	2,65	4894	2250	7144	3106	9250	10856	0,83	0,07	2,68	6,95	7,37	9,88	0,97	0,94	18,44	19,90
6,10	2,80	4906	2307	7213	3094	9193	10787	0,83	0,07	2,68	7,56	8,01	10,43	0,97	0,94	19,49	20,96	
6,60	3,45	4850	2311	7161	3150	9189	10839	0,83	0,07	2,63	8,30	8,77	11,58	1,02	0,99	20,80	22,28	
6,90	3,50	4854	2328	7182	3146	9172	10818	0,83	0,07	2,63	8,75	9,24	11,93	1,02	0,99	21,59	23,07	

OTHER DIMENSIONS VA: 1,53 HV<sup>13)</sup>: 0,98 HV<sup>14)</sup>: 0,90 RB: 0,79 SB: 1,82 TB<sup>15)</sup>: 2,48

- GVM in conformity with registration documents.
- GCM in conformity with registration documents.
- Axle load with standard tyre size.
- Chassis and cab weight calculated with: Standard specification items only with 340 litres of fuel, 45 litres of AdBlue® and driver of 90 kg, tolerance ± 3%. Changing of the specification can have major impact on vehicle weight.
- Other AE dimensions may be available for shown WB. Modify rear overhang to the calculated body length.
- CB is based on standard air intake and/or exhaust.
- Cab height is measured from frame member to closed cabin roof hatch.
- Calculate customer specific body length with TOPEC. Body lengths shown based on evenly distributed load at max axle load.
- Unladen height at centre of driven axle(s).
- Laden height at centre of driven axle(s).
- TK = turning circle between kerbs.
- TW = turning circle between walls.
- Unladen height at centre of front axle(s).
- Laden height at centre of front axle(s).
- TB is overall width at rear. (At centre of front axle 255).

Depending on the vehicle configuration a specific option may not be possible. The availability and specification of this vehicle may differ per country. For further information please contact the DAF organisation. Pictures and technical illustrations are not binding in detail and can differ from the standard specification. Subject to modification without prior notice.