

Specification sheet

XD 300

FAS 6X2 Rigid, double mounted trailing axle



XD

ENGINES

- XD NewGen 300 MX-11 (220 kW / 299 hp)
- XD NewGen 340 MX-11 (251 kW / 341 hp)
- XD NewGen 370 MX-11 (270 kW / 367 hp)
- XD NewGen 410 MX-11 (300 kW / 408 hp)
- XD NewGen 450 MX-11 (330 kW / 449 hp)

GVM¹⁾

- 26000 kg
- Max. front 8000 kg
- Max. rear 19000 kg

GCM²⁾

- 38000 kg

016F0121AAAA - 202345C - 18-08-2023

DAF Trucks Ltd, UK, Haddenham, HP17 8LJ, www.daf.co.uk

OPTION PACKAGES

Optional

17448 Safety pack **17595** Executive Pack XD/XF

CAB EXTERIOR

Luxurious Day Cab with unrivalled aerodynamics for fuel efficient driving and low CO2 emissions. The huge and deep frontscreen, curved at the sides combined with large side windows offer an unsurpassed direct view for the driver, to enhance road safety. Cab length: 2030 mm; cab width: 2500 mm. Number of cab entrance steps: 2.; Cab suspension mechanical; LED head lights; DAF Corner View.

Optional

07018 Sleeper Cab **01836** LED Skylights
06244 Sleeper High Cab **00949** LED Skylights; aux. LED lights on cab rf, prepared
02889 Chassis front execution: no bottom plate **01925** Two LED work lamps for cab rear wall
02952 Chassis front execution: bottom plate aero **01891** Hazard beacons on cab front, prepared
03353 Chassis front execution: protruding **06629** Two hazard beacon lights
07586 Chassis front execution: robust **03232** Front windscreen with solar control foil
01226 Cab suspension air **03317** Rear window: double glass
03358 External sun visor **07343** Kerb view window co-driver door
03922 Fog lights front **01362** DAF Digital Vision System
00936 Auxiliary LED lights on cab roof, prepared

AERODYNAMICS

Optional

00008 Adj. roof air deflector short Sleeper High Cab **00097** Adj. roof air deflector for Sleeper Cab
00124 Adj. rf air defl.long mid >4m(!) Sleeper High Cab **00020** Adj. roof air deflector long low Sleeper High Cab
01538 Adj. roof air defl. long high >4m(!) Sleeper High **02662** Adj. roof air deflector long mid Sleeper High Cab
00082 Adj. roof air deflector for Day Cab

COLOURS

Cab colour E1980 Crystal White; Chassis colour grey.; Colour of bumper: Crystal White.

CAB INTERIOR

Cab interior trim colour: Luxury; Dashboard finish: Vision; Cab interior decoration: Hexagon; Driver seat: Comfort Air; Co-driver seat: cinema with fabric cover; No dashboard table; Storage compartment in centre; Automatic Temperature Control and airco; No auxiliary cab heater.

Optional

02354 Steering wheel with silver accents **02117** Third seat
02355 Steering wheel, leather **02837** Dashboard table
02353 Cab interior decoration: Argenta **03948** Single drawer
02350 Cab interior decoration: Natura **03954** Refrigerator
07733 Driver seat: Luxury Air **02838** Foam mattress for lower bunk
07736 Driver seat: Super Air **02854** Xtra Comfort mattress for lower bunk
07737 Driver seat: Xtra Leather Air **01775** Xtra Comfort mattress with topper for lower bunk
09541 Arm rest driver seat **06970** Automatic Cab Climate Control
01740 Arm rest at both sides of the driver seat

COMMUNICATION AND DRIVING MANAGEMENT

DAF Connect; Tachograph digital, Stoneridge 1C version G2V2; Speed limiter setting 85 km/h; Eco off 90 km/h; DAF Infotainment Luxury with Luxury speakers; Adaptive Cruise Control with FCW and AEBS-3.

Optional

09681 Preparation for Maut **01915** DAF Infotainment System: Luxury Plus
06211 DAF Infotainment System with FM/DAB/DAB+ radio **06991** Predictive Cruise Control
03470 DAF Infotainment System: Exclusive, prepared

SAFETY AND SECURITY

Lane Departure Warning System; Vehicle Stability Control (VSC); Basic engine immobiliser system; No EC-ADR packages; DAF Side & Turn Assist.

Optional

08631 Air bag (driver) and 2 seat belt tensioners **00795** Safety regulations EC ADR
06410 Safe Load Pass preparation

SUSPENSION AND AXLES

Front: 8.00 t, parabolic, 163N; Rear axle load 13.00 t; Rear: 20.00 t, air suspension, SR1344; Trailing axle load 10.0t; Lifting device.

Optional

06257 Front axle load 9.00 t **04588** Rear axle SR1347
04647 Front springs air **08191** Axle load monitoring
04057 Rear axle HR1356

WHEELS AND TYRES

Driven rear axle(s): 315/70R22.5; F1,315/70R22.5GO FMXSE 156/150 L Steering BBA 3P; R1,315/70R22.5GO FMXDE 154/150 L Traction BBA 3P; R2,315/70R22.5GO FMXSE 156/150 L Steering BBA 3P.

Optional

16152 Tyre makes and types

DRIVELINE

Engine MX-11, multi torque 6 cylinder diesel engine, 10.8 litres. Output 220 kW (299 hp) at 1600 rpm. Max. torque 1450 Nm at 900-1400 rpm.; Exhaust emission Euro 6; Eco fuel; 12-speed TraXon 12TX1810 OD, 12.92-0.77; Gearbox ratio 12.92-0.77; Rear axle ratio 3.08.

Optional

07110 Eco performance **08371** Long Combination Vehicle (LCV)
02313 Gearbox direct drive **09638** Off-road applications
01514 Urge-to-move **01498** Off-road applications with Rock-free function
07101 Standard transport, Lite version **02843** Mechanical differential lock
09637 Liquid transport

BRAKE SYSTEM

Exhaust brake; Ventilated disc brakes front and rear. Dual circuit air system with electronic control (EBS)..

Optional

09921	MX Engine Brake	01497	Park brake control pneumatic with spoken warning
02715	ZF Intarder	04901	Spring brake cylinders on the first front axle
01572	Park brake control electro-pneumatic	00929	Driven rear axle with drum brakes

CHASSIS

Wheelbase 4.60 m / rear overhang 2.75 m; Side member height 260 mm; Standard component location; 340 l alu fuel tank LH, height 620 mm; Tank for AdBlue® 45 l, left-hand side chassis; Front underrun protection (FUP); Spray suppression.

Optional

02601	Side member height 310 mm	07071	Spare wheel carrier right-hand side
16157	Fuel tanks, material and sizes	03323	Rear light with LEDs

DRAWBAR AND TRAILER EQUIPMENT

Closing member.

Optional

07033	Trailer coupling Ringfeder D=13.7	08027	Trailer coupling Rockinger D=20.0
07034	Trailer coupling Ringfeder D=20.0	04659	Trailer cable EBS
08026	Trailer coupling Rockinger D=13.0		

BODIES AND PREPARATIONS FOR BODYING

Application connector chassis.

Optional

09421	Additional spare wiring	08121	Tail lift application
-------	-------------------------	-------	-----------------------

POWER TAKE-OFF (PTO)

Optional

16148	PTO types and positions
-------	-------------------------

24V POWER SUPPLY

Alternator 110 A, batteries 2x 140 Ah..

Optional

04492	Alternator 130 A	07671	Batteries 2x210Ah AGM C-type
08775	Alternator 150 A	06440	Batteries 2x230Ah
08797	Batteries 2x175Ah		

GVM AND GCM

Chassis weight related technical GVM max 27000 kg; Driveline related max GCM 38000 kg class 2.

APPLICATION CONDITIONS

Air intake front.

Optional

02260	Extra cab insulation	06614	Anti-dust blow-up shield
03648	Cyclonic air intake high		

SERVICE AND MAINTENANCE

Standard Warranty takes care of 1 year complete vehicle as supplied by the OEM (excl. real wear parts), 2nd year driveline and 1st year breakdown.; ITS service.

Optional

08311	Service interval extended
-------	---------------------------

VEHICLE DELIVERY

Minimum toolkit.

Optional

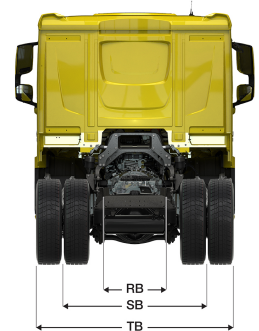
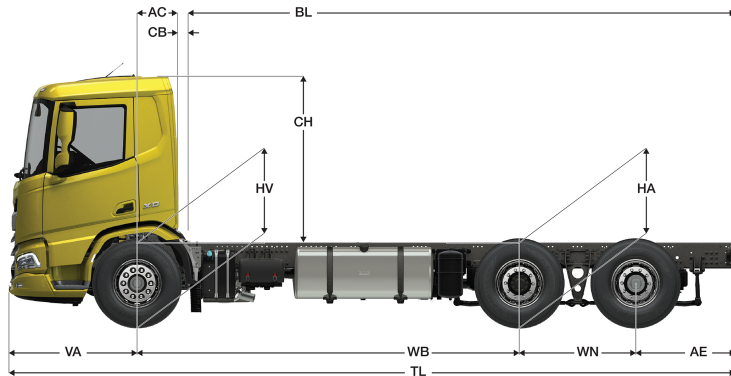
07569	Lifting jack
-------	--------------



Go to [DAF.com](https://www.daf.com) to configure your own perfect DAF.

XD 300

FAS 6X2 Rigid, double mounted trailing axle



	Wheelbase - AE		Unladen weight ¹⁾			Gross Carrying Capacity			Variable dimensions									
	WB	AE ⁵⁾	Front	Rear	Total	Front	Rear	Total	AC	CB ⁶⁾	CH	BL ⁷⁾	BL	TL	HA ⁸⁾	HA ⁹⁾	TK ¹⁰⁾	TW ¹¹⁾
DAY CAB	3,80	2,05	4877	3081	7958	3123	15919	18042	0,50	0,07	2,01	6,11	6,11	8,78	1,02	0,99	14,93	16,34
	4,20	2,40	4869	3179	8048	3131	15821	17952	0,50	0,07	2,01	6,77	6,77	9,53	1,02	0,99	15,97	17,40
	4,40	2,55	4873	3244	8117	3127	15756	17883	0,50	0,07	2,01	7,09	7,09	9,88	1,02	0,99	16,49	17,92
	4,60	2,75	4851	3239	8090	3149	15761	17910	0,50	0,07	2,06	7,42	7,42	10,28	0,97	0,94	17,01	18,45
	4,80	2,90	4832	3267	8099	3168	15733	17901	0,50	0,07	2,06	7,74	7,74	10,63	0,97	0,94	17,53	18,98
	5,05	2,90	4836	3282	8118	3164	15718	17882	0,50	0,07	2,06	8,16	8,16	10,88	0,97	0,94	18,19	19,64
	5,30	2,90	4844	3299	8143	3156	15701	17857	0,50	0,07	2,06	8,57	8,57	11,13	0,97	0,94	18,84	20,30
5,60	2,85	4891	3391	8282	3109	15609	17718	0,50	0,07	2,01	9,08	9,08	11,38	1,02	0,99	19,63	21,10	
5,90	2,80	4904	3403	8307	3096	15597	17693	0,50	0,07	2,01	9,60	9,60	11,63	1,02	1,00	20,41	21,89	
SLEEPER CAB	4,20	2,40	4970	3182	8152	3030	15818	17848	0,83	0,07	2,01	6,15	6,15	9,53	1,02	0,99	15,97	17,40
	4,40	2,55	4974	3247	8221	3026	15753	17779	0,83	0,07	2,01	6,47	6,47	9,88	1,02	0,99	16,49	17,92
	4,60	2,75	4952	3242	8194	3048	15758	17806	0,83	0,07	2,06	6,80	6,80	10,28	0,97	0,94	17,01	18,45
	4,80	2,90	4933	3269	8202	3067	15731	17798	0,83	0,07	2,06	7,12	7,12	10,63	0,97	0,94	17,53	18,98
	5,05	2,90	4937	3285	8222	3063	15715	17778	0,83	0,07	2,06	7,54	7,54	10,88	0,97	0,94	18,19	19,64
	5,30	2,90	4945	3302	8247	3055	15698	17753	0,83	0,07	2,06	7,96	7,96	11,13	0,97	0,94	18,84	20,30
	5,60	2,85	4993	3393	8386	3007	15607	17614	0,83	0,07	2,01	8,48	8,48	11,38	1,02	0,99	19,63	21,10
5,90	2,80	5006	3405	8411	2994	15595	17589	0,83	0,07	2,01	8,99	8,99	11,63	1,02	0,99	20,41	21,89	
SLEEPER HIGH CAB	4,20	2,40	5000	3182	8182	3000	15818	17818	0,83	0,07	2,49	6,17	6,17	9,53	1,02	0,99	15,97	17,40
	4,40	2,55	5005	3246	8251	2995	15754	17749	0,83	0,07	2,49	6,49	6,49	9,88	1,02	0,99	16,49	17,92
	4,60	2,75	4982	3241	8224	3018	15759	17776	0,83	0,07	2,54	6,82	6,82	10,28	0,97	0,94	17,01	18,45
	4,80	2,90	4963	3269	8232	3037	15731	17768	0,83	0,07	2,54	7,14	7,14	10,63	0,97	0,94	17,53	18,98
	5,05	2,90	4968	3284	8252	3032	15716	17748	0,83	0,07	2,54	7,56	7,56	10,88	0,97	0,94	18,19	19,64
	5,30	2,90	4975	3301	8276	3025	15699	17724	0,83	0,07	2,54	7,98	7,98	11,13	0,97	0,94	18,84	20,30
	5,60	2,85	5023	3393	8415	2977	15607	17585	0,83	0,07	2,49	8,49	8,49	11,38	1,02	0,99	19,63	21,10
5,90	2,80	5036	3404	8441	2964	15596	17559	0,83	0,07	2,49	9,01	9,01	11,63	1,02	0,99	20,41	21,89	

OTHER DIMENSIONS VA: 1,53 WN: 1,40 HV¹²⁾: 0,97 HV¹³⁾: 0,93 RB: 0,79 SB: 1,82 TB¹⁴⁾: 2,48

- GVM in conformity with registration documents.
- GCM in conformity with registration documents.
- Axle load with standard tyre size.
- Chassis and cab weight calculated with: Standard specification items only with 340 litres of fuel, 45 litres of AdBlue® and driver of 90 kg, tolerance ± 3%. Changing of the specification can have major impact on vehicle weight.
- Other AE dimensions may be available for shown WB. Modify rear overhang to the calculated body length.
- CB is based on standard air intake and/or exhaust.
- Calculate customer specific body length with TOPEC. Body lengths shown based on evenly distributed load at max axle load.
- Unladen height at centre of driven axle (trailing axle down).
- Laden height at centre of driven axle(s).
- TK = turning circle between kerbs.
- TW = turning circle between walls.
- Unladen height at centre of front axle(s).
- Laden height at centre of front axle(s).
- TB is overall width at rear. (At centre of front axle 255).

Depending on the vehicle configuration a specific option may not be possible. The availability and specification of this vehicle may differ per country. For further information please contact the DAF organisation. Pictures and technical illustrations are not binding in detail and can differ from the standard specification. Subject to modification without prior notice.