

Specification sheet

XD 370

FAS 6X2 Rigid, Low Deck, double mounted trailing axle



ENGINES

- XD NewGen 370 MX-11 (270 kW / 367 hp)
- XD NewGen 410 MX-11 (300 kW / 408 hp)
- XD NewGen 450 MX-11 (330 kW / 449 hp)

GVM¹⁾

- 24900 kg
- Max. front 6700 kg
- Max. rear 18200 kg

GCM²⁾

- 38000 kg

016F0121BAAA - 202345C - 18-08-2023

DAF Trucks Ltd, UK, Haddenham, HP17 8LJ, www.daf.co.uk

OPTION PACKAGES

Optional

17448 Safety pack **17595** Executive Pack XD/XF

CAB EXTERIOR

Luxurious Day Cab with unrivalled aerodynamics for fuel efficient driving and low CO2 emissions. The huge and deep frontscreen, curved at the sides combined with large side windows offer an unsurpassed direct view for the driver, to enhance road safety. Cab length: 2030 mm; cab width: 2500 mm. Number of cab entrance steps: 2.; Cab suspension mechanical; LED head lights; DAF Corner View.

Optional

07018 Sleeper Cab **01836** LED Skylights
06244 Sleeper High Cab **00949** LED Skylights; aux. LED lights on cab rf, prepared
02952 Chassis front execution: bottom plate aero **01925** Two LED work lamps for cab rear wall
03353 Chassis front execution: protruding **01891** Hazard beacons on cab front, prepared
07586 Chassis front execution: robust **06629** Two hazard beacon lights
01226 Cab suspension air **03232** Front windscreen with solar control foil
03358 External sun visor **03317** Rear window: double glass
03922 Fog lights front **07343** Kerb view window co-driver door
00936 Auxiliary LED lights on cab roof, prepared **01362** DAF Digital Vision System

AERODYNAMICS

Optional

00008 Adj. roof air deflector short Sleeper High Cab **00097** Adj. roof air deflector for Sleeper Cab
00124 Adj. rf air defl.long mid >4m(!) Sleeper High Cab **00020** Adj. roof air deflector long low Sleeper High Cab
01538 Adj. roof air defl. long high >4m(!) Sleeper High **02662** Adj. roof air deflector long mid Sleeper High Cab
00082 Adj. roof air deflector for Day Cab

COLOURS

Cab colour E1980 Crystal White; Chassis colour grey.; Colour of bumper: Crystal White.

CAB INTERIOR

Cab interior trim colour: Luxury; Dashboard finish: Vision; Cab interior decoration: Hexagon; Driver seat: Comfort Air; Co-driver seat: cinema with fabric cover; No dashboard table; Storage compartment in centre; Automatic Temperature Control and airco; No auxiliary cab heater.

Optional

02354 Steering wheel with silver accents **02117** Third seat
02355 Steering wheel, leather **02837** Dashboard table
02353 Cab interior decoration: Argenta **03948** Single drawer
02350 Cab interior decoration: Natura **03954** Refrigerator
07733 Driver seat: Luxury Air **02838** Foam mattress for lower bunk
07736 Driver seat: Super Air **02854** Xtra Comfort mattress for lower bunk
07737 Driver seat: Xtra Leather Air **01775** Xtra Comfort mattress with topper for lower bunk
09541 Arm rest driver seat **06970** Automatic Cab Climate Control
01740 Arm rest at both sides of the driver seat

COMMUNICATION AND DRIVING MANAGEMENT

DAF Connect; Tachograph digital, Stoneridge 1C version G2V2; Speed limiter setting 85 km/h; Eco off 90 km/h; DAF Infotainment Luxury with Luxury speakers; Adaptive Cruise Control with FCW and AEBS-3.

Optional

09681 Preparation for Maut **01915** DAF Infotainment System: Luxury Plus
06211 DAF Infotainment System with FM/DAB/DAB+ radio **06991** Predictive Cruise Control
03470 DAF Infotainment System: Exclusive, prepared

SAFETY AND SECURITY

Lane Departure Warning System; Vehicle Stability Control (VSC); Basic engine immobiliser system; No EC-ADR packages; DAF Side & Turn Assist.

Optional

08631 Air bag (driver) and 2 seat belt tensioners **00795** Safety regulations EC ADR

SUSPENSION AND AXLES

Front: 8.00 t, air suspension, 161N; Rear axle load 11.50 t; Rear: 20.00 t, air suspension, SR1344; Trailing axle load 10.0t; No lifting device.

Optional

08191 Axle load monitoring

WHEELS AND TYRES

Driven rear axle(s): 295/60R22.5; F1,295/60R22.5GO FMAXS2 150/147 K Steering BCA; R1,295/60R22.5GO FMXDA 150/147 K Traction CBA 3P; R2,295/60R22.5GO FMXDA 150/147 K Traction CBA 3P.

Optional

16152 Tyre makes and types

DRIVELINE

Engine MX-11, multi torque 6 cylinder diesel engine, 10.8 litres. Output 270 kW (367 hp) at 1600 rpm. Maximum torque 1950 Nm at 900-1125 rpm.; Exhaust emission Euro 6; Eco fuel; 12-speed TraXon 12TX2010 DD, 16.69-1.00; Gearbox ratio 16.69-1.00; Rear axle ratio 2.21.

Optional

07110 Eco performance **08371** Long Combination Vehicle (LCV)
01514 Urge-to-move **09638** Off-road applications
07101 Standard transport, Lite version **01498** Off-road applications with Rock-free function
09637 Liquid transport **02843** Mechanical differential lock

BRAKE SYSTEM

Exhaust brake; Ventilated disc brakes front and rear. Dual circuit air system with electronic control (EBS)..

Optional

09921 MX Engine Brake **01572** Park brake control electro-pneumatic
02715 ZF Intarder **01497** Park brake control pneumatic with spoken warning

CHASSIS

Wheelbase 4.60 m / rear overhang 2.75 m; Side member height 260 mm; Standard component location; 450 l alu fuel tank LH, height 505 mm; Tank for AdBlue® 45 l, left-hand side chassis; Front underrun protection (FUP); Spray suppression.

Optional

- 16157** Fuel tanks, material and sizes
03323 Rear light with LEDs
07071 Spare wheel carrier right-hand side

DRAWBAR AND TRAILER EQUIPMENT

Closing member.

Optional

- 07033** Trailer coupling Ringfeder D=13.7
08027 Trailer coupling Rockinger D=20.0
07034 Trailer coupling Ringfeder D=20.0
04659 Trailer cable EBS
08026 Trailer coupling Rockinger D=13.0

BODIES AND PREPARATIONS FOR BODYING

Application connector chassis.

Optional

- 09421** Additional spare wiring
08121 Tail lift application

POWER TAKE-OFF (PTO)

Optional

- 16148** PTO types and positions

24V POWER SUPPLY

Alternator 110 A, batteries 2x 140 Ah..

Optional

- 04492** Alternator 130 A
08775 Alternator 150 A
08797 Batteries 2x175Ah
07671 Batteries 2x210Ah AGM C-type
06440 Batteries 2x230Ah

GVM AND GCM

Chassis weight related technical GVM max 27000 kg; Driveline related max GCM 38000 kg class 2.

APPLICATION CONDITIONS

Air intake front.

Optional

- 02260** Extra cab insulation
03648 Cyclonic air intake high
06614 Anti-dust blow-up shield

SERVICE AND MAINTENANCE

Standard Warranty takes care of 1 year complete vehicle as supplied by the OEM (excl. real wear parts), 2nd year driveline and 1st year breakdown.; ITS service.

Optional

- 08311** Service interval extended

VEHICLE DELIVERY

Minimum toolkit.

Optional

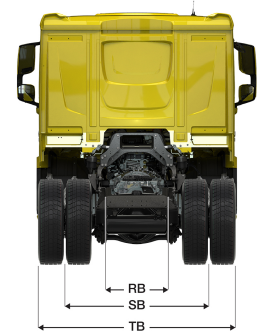
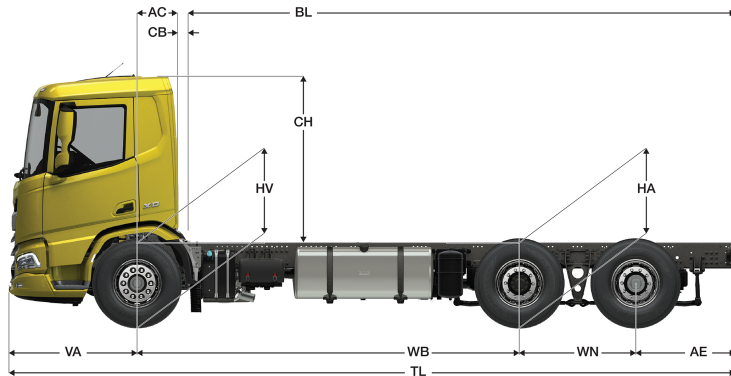
- 07569** Lifting jack



Go to [DAF.com](https://www.daf.com) to configure your own perfect DAF.

XD 370

FAS 6X2 Rigid, Low Deck, double mounted trailing axle



	Wheelbase - AE		Unladen weight ¹⁾			Gross Carrying Capacity			Variable dimensions									
	WB	AE ⁵⁾	Front	Rear	Total	Front	Rear	Total	AC	CB ⁶⁾	CH	BL ⁷⁾	BL	TL	HA ⁸⁾	HA ⁹⁾	TK ¹⁰⁾	TW ¹¹⁾
DAY CAB	4,60	2,75	5007	3495	8502	1693	14705	16398	0,50	0,07	2,06	7,84	7,84	10,28	0,88	0,88	16,90	18,34
	4,80	2,90	4997	3533	8530	1703	14667	16370	0,50	0,07	2,06	8,18	8,18	10,63	0,88	0,88	17,42	18,87
	5,05	2,90	5001	3552	8553	1699	14648	16347	0,50	0,07	2,06	8,61	8,61	10,88	0,88	0,88	18,08	19,53
	5,30	2,90	5005	3572	8577	1695	14628	16323	0,50	0,07	2,06	9,06	9,06	11,13	0,88	0,88	18,73	20,20
SLEEPER CAB	4,60	2,75	5107	3497	8603	1593	14703	16297	0,83	0,07	2,06	7,24	7,24	10,28	0,88	0,88	16,90	18,34
	4,80	2,90	5097	3534	8631	1603	14666	16269	0,83	0,07	2,06	7,58	7,58	10,63	0,88	0,88	17,42	18,87
	5,05	2,90	5101	3554	8655	1599	14646	16245	0,83	0,07	2,06	8,04	8,04	10,88	0,88	0,88	18,08	19,53
	5,30	2,90	5106	3573	8678	1594	14627	16222	0,83	0,07	2,06	8,48	8,48	11,13	0,88	0,88	18,73	20,20
SLEEPER HIGH CAB	4,60	2,75	5137	3496	8633	1563	14704	16267	0,83	0,07	2,54	7,26	7,26	10,28	0,88	0,88	16,90	18,34
	4,80	2,90	5127	3534	8661	1573	14666	16239	0,83	0,07	2,54	7,62	7,62	10,63	0,88	0,88	17,42	18,87
	5,05	2,90	5131	3553	8684	1569	14647	16216	0,83	0,07	2,54	8,05	8,05	10,88	0,88	0,88	18,08	19,53
	5,30	2,90	5136	3572	8708	1564	14628	16192	0,83	0,07	2,54	8,50	8,50	11,13	0,88	0,88	18,73	20,20

OTHER DIMENSIONS VA: 1,53 WN: 1,40 HV¹²⁾: 0,88 HV¹³⁾: 0,87 RB: 0,79 SB: 1,82 TB¹⁴⁾: 2,46

1) GVM in conformity with registration documents.
 2) GCM in conformity with registration documents.
 3) Axle load with standard tyre size.
 4) Chassis and cab weight calculated with: Standard specification items only with 450 litres of fuel, 45 litres of AdBlue® and driver of 90 kg, tolerance ± 3%. Changing of the specification can have major impact on vehicle weight.
 5) Other AE dimensions may be available for shown WB. Modify rear overhang to the calculated body length.
 6) CB is based on standard air intake and/or exhaust.
 7) Calculate customer specific body length with TOPEC. Body lengths shown based on evenly distributed load at max axle load.

8) Unladen height at centre of driven axle (trailing axle down).
 9) Laden height at centre of driven axle(s).
 10) TK = turning circle between kerbs.
 11) TW = turning circle between walls.
 12) Unladen height at centre of front axle(s).
 13) Laden height at centre of front axle(s).
 14) TB is overall width at rear. (At centre of front axle 255).

Depending on the vehicle configuration a specific option may not be possible. The availability and specification of this vehicle may differ per country. For further information please contact the DAF organisation. Pictures and technical illustrations are not binding in detail and can differ from the standard specification. Subject to modification without prior notice.