

Specification sheet

XD 370

FAD 8X4 Rigid, Mixer



XD

ENGINES

- XD NewGen 370 MX-11 (270 kW / 367 hp)
- XD NewGen 410 MX-11 (300 kW / 408 hp)
- XD NewGen 450 MX-11 (330 kW / 449 hp)

GVM¹⁾

32000 kg

Max. front 14200 kg

Max. rear 19000 kg

GCM²⁾

35500 kg

OPTION PACKAGES

Optional

17448 Safety pack 17595 Executive Pack XD/XF

CAB EXTERIOR

Luxurious Day Cab with unrivalled aerodynamics for fuel efficient driving and low CO2 emissions. The huge and deep frontscreen, curved at the sides combined with large side windows offer an unsurpassed direct view for the driver, to enhance road safety. Cab length: 2030 mm; cab width: 2500 mm. Number of cab entrance steps: 3.; Cab suspension mechanical; LED head lights; DAF Corner View.

Optional

07018 Sleeper Cab 00949 LED Skylights; aux. LED lights on cab rf, prepared
06244 Sleeper High Cab
07586 Chassis front execution: robust 01925 Two LED work lamps for cab rear wall
01226 Cab suspension air 01891 Hazard beacons on cab front, prepared
03358 External sun visor 06629 Two hazard beacon lights
03922 Fog lights front 03232 Front windscreen with solar control foil
00936 Auxiliary LED lights on cab roof, prepared 03317 Rear window: double glass
01836 LED Skylights 07343 Kerb view window co-driver door
01362 DAF Digital Vision System

AERODYNAMICS

Optional

00008 Adj. roof air deflector short Sleeper High Cab 00082 Adj. roof air deflector for Day Cab
00124 Adj. rf air defl.long mid >4m(!) Sleeper High Cab 00097 Adj. roof air deflector for Sleeper Cab
01538 Adj. roof air defl. long high >4m(!) Sleeper High 00020 Adj. roof air deflector long low Sleeper High Cab

COLOURS

Cab colour E1980 Crystal White; Chassis colour grey.; Colour of bumper: Crystal White.

CAB INTERIOR

Cab interior trim colour: Luxury; Dashboard finish: Vision; Cab interior decoration: Hexagon; Driver seat: Comfort Air; Co-driver seat: cinema with fabric cover; No dashboard table; Storage compartment in centre; Automatic Temperature Control and airco; No auxiliary cab heater.

Optional

02354 Steering wheel with silver accents 02117 Third seat
02355 Steering wheel, leather 02837 Dashboard table
02353 Cab interior decoration: Argenta 03948 Single drawer
02350 Cab interior decoration: Natura 03954 Refrigerator
02838 Foam mattress for lower bunk
07733 Driver seat: Luxury Air 02854 Xtra Comfort mattress for lower bunk
07736 Driver seat: Super Air 01775 Xtra Comfort mattress with topper for lower bunk
07737 Driver seat: Xtra Leather Air 06970 Automatic Cab Climate Control
09541 Arm rest driver seat
01740 Arm rest at both sides of the driver seat

COMMUNICATION AND DRIVING MANAGEMENT

DAF Connect; Tachograph digital, Stoneridge 1C version G2V2; Speed limiter setting 85 km/h; Eco off 90 km/h; DAF Infotainment Luxury with Luxury speakers; Adaptive Cruise Control (ACC) with FCW.

Optional

09681 Preparation for Maut 09908 Cruise control
06211 DAF Infotainment System with FM/DAB/DAB+ radio 08023 Adaptive Cruise Control with FCW and AEBS-3
03470 DAF Infotainment System: Exclusive, prepared 06991 Predictive Cruise Control
01915 DAF Infotainment System: Luxury Plus

SAFETY AND SECURITY

Lane Departure Warning System; No vehicle stability control; Basic engine immobiliser system; No EC-ADR packages; DAF Side & Turn Assist.

Optional

08631 Air bag (driver) and 2 seat belt tensioners 00795 Safety regulations EC ADR

SUSPENSION AND AXLES

Front: 2x 7.10 t, parabolic, 163N; Rear axle load 9.50+ 9.50 t; Rear: 19.00 t, trapezium, SR1132T; No lifting device.

WHEELS AND TYRES

Driven rear axle(s): 295/80R22.5; F1,295/80R22.5GO FMAXS2 154/149 M Steering BCA; R1,295/80R22.5GO FMAXD2 152/148 M Traction CBA.

Optional

16152 Tyre makes and types

DRIVELINE

Engine MX-11, multi torque 6 cylinder diesel engine, 10.8 litres. Output 270 kW (367 hp) at 1600 rpm. Maximum torque 1950 Nm at 900-1125 rpm.; Exhaust emission Euro 6; Eco fuel; 12-speed TraXon 12TX2610 OD, 12.92-0.77; Gearbox ratio 12.92-0.77; Rear axle ratio 3.73.

Optional

07110 Eco performance 09638 Off-road applications
01514 Urge-to-move 01498 Off-road applications with Rock-free function
09637 Liquid transport 03720 No ASR

BRAKE SYSTEM

MX Engine Brake; Ventilated disc brakes front and rear. Dual circuit air system with electronic control (EBS)..

Optional

09920 No MX Engine Brake 01497 Park brake control pneumatic with spoken warning
02715 ZF Intarder 00929 Driven rear axle with drum brakes
01572 Park brake control electro-pneumatic

CHASSIS

Wheelbase 5.70 m / rear overhang 1.65 m; Side member height 310 mm; Standard component location; 340 l alu fuel tank LH, height 620 mm; Tank for AdBlue® 45 l, left below battery box; Front underrun protection (FUP); Spray suppression.

Optional

16157 Fuel tanks, material and sizes **03323** Rear light with LEDs

DRAWBAR AND TRAILER EQUIPMENT

Closing member.

Optional

07033 Trailer coupling Ringfeder D=13.7 **08027** Trailer coupling Rockinger D=20,0
07034 Trailer coupling Ringfeder D=20.0 **04659** Trailer cable EBS
08026 Trailer coupling Rockinger D=13.0

BODIES AND PREPARATIONS FOR BODYING

Application connector chassis.

Optional

09421 Additional spare wiring **09209** Chassis preparation for mixer application

POWER TAKE-OFF (PTO)

Optional

16148 PTO types and positions

24V POWER SUPPLY

Alternator 110 A, batteries 2x 140 Ah..

Optional

04492 Alternator 130 A **07671** Batteries 2x210Ah AGM C-type
08775 Alternator 150 A
08797 Batteries 2x175Ah **06440** Batteries 2x230Ah

GVM AND GCM

Chassis weight related technical GVM max 32000 kg; Driveline related max GCM 35500 kg class 2.

APPLICATION CONDITIONS

Air intake front.

Optional

02260 Extra cab insulation **06614** Anti-dust blow-up shield
03648 Cyclonic air intake high

SERVICE AND MAINTENANCE

Standard Warranty takes care of 1 year complete vehicle as supplied by the OEM (excl. real wear parts), 2nd year driveline and 1st year breakdown.; ITS service.

Optional

08311 Service interval extended

VEHICLE DELIVERY

Minimum toolkit.

Optional

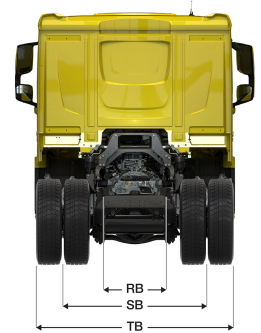
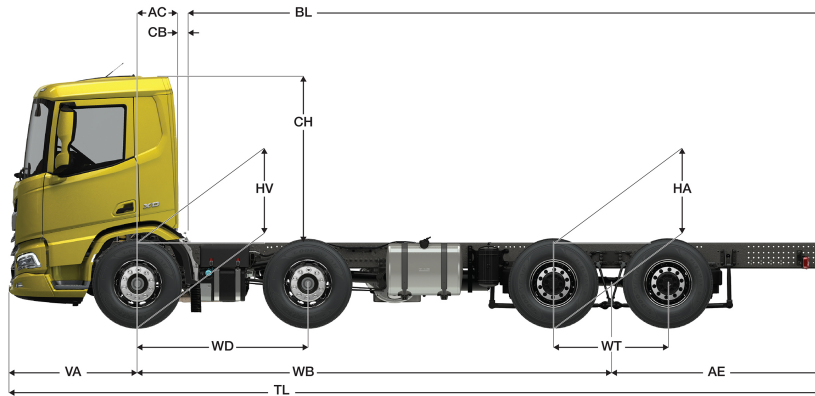
07569 Lifting jack



Go to [DAF.com](https://www.daf.com) to configure your own perfect DAF.

XD 370

FAD 8X4 Rigid, Mixer



	Wheelbase - AE		Unladen weight ¹⁾			Gross Carrying Capacity			Variable dimensions									
	WB	AE ⁵⁾	Front	Rear	Total	Front	Rear	Total	AC	CB ⁶⁾	CH	BL ⁷⁾	BL	TL	HA ⁸⁾	HA ⁹⁾	TK ¹⁰⁾	TW ¹¹⁾
DAY CAB	5,05	1,65	6706	2566	9272	7494	16434	22728	0,50	0,07	2,01	6,31	6,73	8,23	1,17	1,11	18,39	19,70
	5,30	1,65	6728	2720	9447	7472	16280	22553	0,50	0,07	2,01	6,63	7,08	8,48	1,17	1,11	19,12	20,43
	5,70	1,65	6663	2822	9484	7537	16178	22516	0,50	0,07	2,01	7,14	7,63	8,88	1,17	1,11	20,28	21,61
SLEEPER CAB	5,05	1,65	6840	2543	9383	7360	16457	22617	0,83	0,07	2,01	5,69	6,10	8,23	1,17	1,11	18,39	19,70
	5,30	1,65	6860	2698	9558	7340	16302	22442	0,83	0,07	2,01	6,01	6,46	8,48	1,17	1,11	19,12	20,43
	5,70	1,65	6794	2802	9595	7406	16198	22405	0,83	0,07	2,01	6,52	7,00	8,88	1,17	1,11	20,28	21,61
SLEEPER HIGH CAB	5,05	1,65	6878	2534	9413	7322	16466	22587	0,83	0,07	2,49	5,70	6,11	8,23	1,17	1,11	18,39	19,70
	5,30	1,65	6898	2690	9588	7302	16310	22412	0,83	0,07	2,49	6,02	6,47	8,48	1,17	1,11	19,12	20,43
	5,70	1,65	6831	2794	9625	7369	16206	22375	0,83	0,07	2,49	6,52	7,01	8,88	1,17	1,11	20,28	21,61

OTHER DIMENSIONS VA: 1,53 WD: 2,05 WT: 1,40 HV¹²⁾: 1,08 HV¹³⁾: 0,99 RB: 0,79 SB: 1,82 TB¹⁴⁾: 2,45

1) GVM in conformity with registration documents.
 2) GCM in conformity with registration documents.
 3) Axle load with standard tyre size.
 4) Chassis and cab weight calculated with: Standard specification items only with 340 litres of fuel, 45 litres of AdBlue® and driver of 90 kg, tolerance ± 3%. Changing of the specification can have major impact on vehicle weight.
 5) Other AE dimensions may be available for shown WB. Modify rear overhang to the calculated body length.
 6) CB is based on standard air intake and/or exhaust.
 7) Calculate customer specific body length with TOPEC. Body lengths shown based on evenly distributed load at max axle load.

8) Unladen height at centre of driven axle(s).
 9) Laden height at centre of driven axle(s).
 10) TK = turning circle between kerbs.
 11) TW = turning circle between walls.
 12) Unladen height at centre of front axle(s).
 13) Laden height at centre of front axle(s).
 14) TB is overall width at rear. (At centre of front axle 255).

Depending on the vehicle configuration a specific option may not be possible. The availability and specification of this vehicle may differ per country. For further information please contact the DAF organisation. Pictures and technical illustrations are not binding in detail and can differ from the standard specification. Subject to modification without prior notice.