

# Specification sheet

# XD 370

FAX 8X2 Rigid



**XD**

## ENGINES

- XD NewGen 370 MX-11 (270 kW / 367 hp)
- XD NewGen 410 MX-11 (300 kW / 408 hp)
- XD NewGen 450 MX-11 (330 kW / 449 hp)

## GVM<sup>1)</sup>

32000 kg

Max. front 15000 kg

Max. rear 19000 kg

## GCM<sup>2)</sup>

38000 kg

## OPTION PACKAGES

### Optional

**17448** Safety pack **17595** Executive Pack XD/XF

## CAB EXTERIOR

Luxurious Day Cab with unrivalled aerodynamics for fuel efficient driving and low CO2 emissions. The huge and deep frontscreen, curved at the sides combined with large side windows offer an unsurpassed direct view for the driver, to enhance road safety. Cab length: 2030 mm; cab width: 2500 mm. Number of cab entrance steps: 3.; Cab suspension mechanical; LED head lights; DAF Corner View.

### Optional

**07018** Sleeper Cab **01836** LED Skylights  
**06244** Sleeper High Cab **00949** LED Skylights; aux. LED lights on cab rf, prepared  
**02889** Chassis front execution: no bottom plate **01925** Two LED work lamps for cab rear wall  
**03353** Chassis front execution: protruding **01891** Hazard beacons on cab front, prepared  
**07586** Chassis front execution: robust **06629** Two hazard beacon lights  
**01226** Cab suspension air **03232** Front windscreen with solar control foil  
**03358** External sun visor **03317** Rear window: double glass  
**03922** Fog lights front **07343** Kerb view window co-driver door  
**00936** Auxiliary LED lights on cab roof, prepared **01362** DAF Digital Vision System

## AERODYNAMICS

### Optional

**00008** Adj. roof air deflector short Sleeper High Cab **00082** Adj. roof air deflector for Day Cab  
**00124** Adj. rf air defl.long mid >4m(!) Sleeper High Cab **00097** Adj. roof air deflector for Sleeper Cab  
**01538** Adj. roof air defl. long high >4m(!) Sleeper High **00020** Adj. roof air deflector long low Sleeper High Cab

## COLOURS

Cab colour E1980 Crystal White; Chassis colour grey.; Colour of bumper: Crystal White.

## CAB INTERIOR

Cab interior trim colour: Luxury; Dashboard finish: Vision; Cab interior decoration: Hexagon; Driver seat: Comfort Air; Co-driver seat: cinema with fabric cover; No dashboard table; Storage compartment in centre; Automatic Temperature Control and airco; No auxiliary cab heater.

### Optional

**02354** Steering wheel with silver accents **02117** Third seat  
**02355** Steering wheel, leather **02837** Dashboard table  
**02353** Cab interior decoration: Argenta **03948** Single drawer  
**02350** Cab interior decoration: Natura **03954** Refrigerator  
**02838** Foam mattress for lower bunk  
**07733** Driver seat: Luxury Air **02854** Xtra Comfort mattress for lower bunk  
**07736** Driver seat: Super Air **01775** Xtra Comfort mattress with topper for lower bunk  
**07737** Driver seat: Xtra Leather Air **06970** Automatic Cab Climate Control  
**09541** Arm rest driver seat  
**01740** Arm rest at both sides of the driver seat

## COMMUNICATION AND DRIVING MANAGEMENT

DAF Connect; Tachograph digital, Stoneridge 1C version G2V2; Speed limiter setting 85 km/h; Eco off 90 km/h; DAF Infotainment Luxury with Luxury speakers; Adaptive Cruise Control (ACC) with FCW.

### Optional

**09681** Preparation for Maut **09908** Cruise control  
**06211** DAF Infotainment System with FM/DAB/DAB+ radio **08023** Adaptive Cruise Control with FCW and AEBS-3  
**03470** DAF Infotainment System: Exclusive, prepared **06991** Predictive Cruise Control  
**01915** DAF Infotainment System: Luxury Plus

## SAFETY AND SECURITY

Lane Departure Warning System; No vehicle stability control; Basic engine immobiliser system; No EC-ADR packages; DAF Side & Turn Assist.

### Optional

**08631** Air bag (driver) and 2 seat belt tensioners **00795** Safety regulations EC ADR

## SUSPENSION AND AXLES

Front: 2x 8.00 t, parabolic, 163N; Rear axle load 13.00 t; Rear: 20.00 t, air suspension, SR1344; Trailing axle load 8.0t; Lifting device.

### Optional

**06264** Front axles load 9.00 + 9.00 t **08191** Axle load monitoring  
**04057** Rear axle HR1356

## WHEELS AND TYRES

Driven rear axle(s): 315/60R22.5; F1,315/60R22.5GO FMXSE 154/148 L Steering BBB 3P; R1,315/60R22.5GO FMXSE 154/148 L Steering BBB 3P; R2,315/60R22.5GO FMXSE 154/148 L Steering BBB 3P.

### Optional

**16152** Tyre makes and types

## DRIVELINE

Engine MX-11, multi torque 6 cylinder diesel engine, 10.8 litres. Output 270 kW (367 hp) at 1600 rpm. Maximum torque 1950 Nm at 900-1125 rpm.; Exhaust emission Euro 6; Eco fuel; 12-speed TraXon 12TX2010 DD, 16.69-1.00; Gearbox ratio 16.69-1.00; Rear axle ratio 2.38.

### Optional

**07110** Eco performance **08371** Long Combination Vehicle (LCV)  
**02314** Gearbox overdrive **09638** Off-road applications  
**01514** Urge-to-move **01498** Off-road applications with Rock-free function  
**09637** Liquid transport **03720** No ASR

## BRAKE SYSTEM

MX Engine Brake; Ventilated disc brakes front and rear. Dual circuit air system with electronic control (EBS)..

### Optional

**09920** No MX Engine Brake **01497** Park brake control pneumatic with spoken warning  
**02715** ZF Intarder **00929** Driven rear axle with drum brakes  
**01572** Park brake control electro-pneumatic

## CHASSIS

Wheelbase 5.00 m / rear overhang 1.75 m; Side member height 310 mm; Standard component location; 340 l alu fuel tank LH, height 620 mm; Tank for AdBlue® 45 l, left below battery box; Front underrun protection (FUP); Spray suppression.

### Optional

- 16157** Fuel tanks, material and sizes  
**03323** Rear light with LEDs  
**07070** Spare wheel carrier left-hand side

## DRAWBAR AND TRAILER EQUIPMENT

Closing member.

### Optional

- 07033** Trailer coupling Ringfeder D=13.7  
**08027** Trailer coupling Rockinger D=20.0  
**07034** Trailer coupling Ringfeder D=20.0  
**04659** Trailer cable EBS  
**08026** Trailer coupling Rockinger D=13.0

## BODIES AND PREPARATIONS FOR BODYING

Application connector chassis.

### Optional

- 09421** Additional spare wiring

## POWER TAKE-OFF (PTO)

### Optional

- 16148** PTO types and positions

## 24V POWER SUPPLY

Alternator 130 A, batteries 2x 140 Ah..

### Optional

- 08775** Alternator 150 A  
**08797** Batteries 2x175Ah  
**07671** Batteries 2x210Ah AGM C-type  
**06440** Batteries 2x230Ah

## GVM AND GCM

Chassis weight related technical GVM max 35000 kg; Driveline related max GCM 38000 kg class 2.

## APPLICATION CONDITIONS

Air intake front.

### Optional

- 08400** Silent mode  
**02260** Extra cab insulation  
**03648** Cyclonic air intake high  
**06614** Anti-dust blow-up shield

## SERVICE AND MAINTENANCE

Standard Warranty takes care of 1 year complete vehicle as supplied by the OEM (excl. real wear parts), 2nd year driveline and 1st year breakdown.; ITS service.

### Optional

- 08311** Service interval extended

## VEHICLE DELIVERY

Minimum toolkit.

### Optional

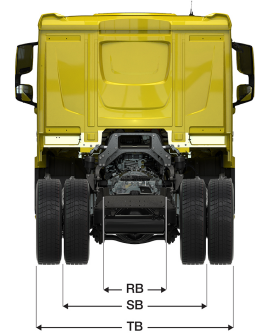
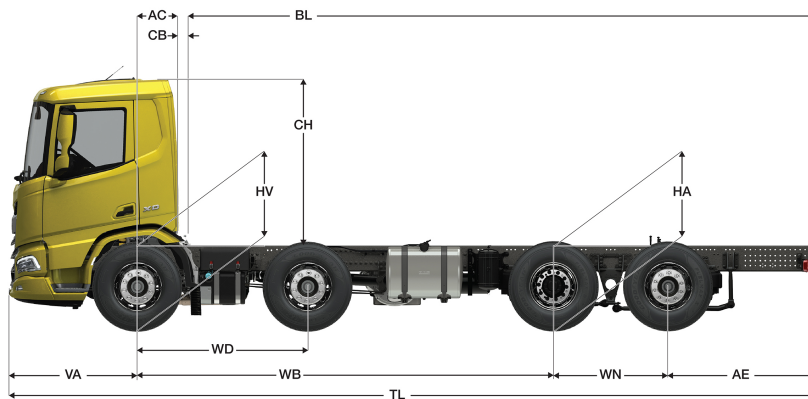
- 07569** Lifting jack



Go to [DAF.com](https://www.daf.com) to configure your own perfect DAF.

# XD 370

FAX 8X2 Rigid



	Wheelbase - AE		Unladen weight <sup>1)</sup>			Gross Carrying Capacity			Variable dimensions									
	WB	AE <sup>5)</sup>	Front	Rear	Total	Front	Rear	Total	AC	CB <sup>6)</sup>	CH	BL <sup>7)</sup>	BL	TL	HA <sup>8)</sup>	HA <sup>9)</sup>	TK <sup>10)</sup>	TW <sup>11)</sup>
DAY CAB	5,00	1,75	7106	2360	9466	7894	16640	22534	0,50	0,07	2,01	7,12	7,12	9,68	0,99	0,96	18,24	19,55
	5,70	2,00	6962	2598	9560	8038	16402	22440	0,50	0,07	2,01	7,99	7,99	10,63	0,99	0,96	20,27	21,60
	6,40	2,60	7000	3027	10027	8000	15973	21973	0,50	0,07	2,01	8,90	8,90	11,93	0,99	0,96	22,31	23,65
SLEEPER CAB	5,00	1,75	7237	2340	9577	7763	16660	22423	0,83	0,07	2,01	6,49	6,49	9,68	0,99	0,96	18,24	19,55
	5,70	2,00	7090	2581	9671	7910	16419	22329	0,83	0,07	2,01	7,37	7,37	10,63	0,99	0,96	20,27	21,60
	6,40	2,60	7126	3012	10138	7874	15988	21862	0,83	0,07	2,01	8,29	8,29	11,93	0,99	0,96	22,31	23,65
SLEEPER HIGH CAB	5,00	1,75	7274	2333	9607	7726	16667	22393	0,83	0,07	2,49	6,49	6,49	9,68	0,99	0,96	18,24	19,55
	5,70	2,00	7126	2575	9700	7874	16425	22300	0,83	0,07	2,49	7,39	7,39	10,63	0,99	0,96	20,27	21,60
	6,40	2,60	7161	3007	10168	7839	15993	21832	0,83	0,07	2,49	8,29	8,29	11,93	0,99	0,96	22,31	23,65

OTHER DIMENSIONS VA: 1,53 WD: 2,05 WN: 1,40 HV<sup>12)</sup>: 1,03 HV<sup>13)</sup>: 0,96 RB: 0,79 SB: 1,82 TB<sup>14)</sup>: 2,48

1) GVM in conformity with registration documents.  
 2) GCM in conformity with registration documents.  
 3) Axle load with standard tyre size.  
 4) Chassis and cab weight calculated with: Standard specification items only with 340 litres of fuel, 45 litres of AdBlue® and driver of 90 kg, tolerance ± 3%. Changing of the specification can have major impact on vehicle weight.  
 5) Other AE dimensions may be available for shown WB. Modify rear overhang to the calculated body length.  
 6) CB is based on standard air intake and/or exhaust.  
 7) Calculate customer specific body length with TOPEC. Body lengths shown based on evenly distributed load at max axle load.

8) Unladen height at centre of driven axle (trailing axle down).  
 9) Laden height at centre of driven axle(s).  
 10) TK = turning circle between kerbs.  
 11) TW = turning circle between walls.  
 12) Unladen height at centre of front axle(s).  
 13) Laden height at centre of front axle(s).  
 14) TB is overall width at rear. (At centre of front axle 255).

Depending on the vehicle configuration a specific option may not be possible. The availability and specification of this vehicle may differ per country. For further information please contact the DAF organisation. Pictures and technical illustrations are not binding in detail and can differ from the standard specification. Subject to modification without prior notice.