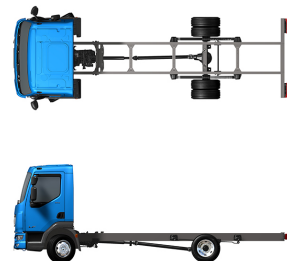


# Specification sheet

# LF 190

FA 4X2 Rigid, 12t



## ENGINES

- LF 190 PX-5 (139 kW / 189 hp)
- LF 210 PX-5 (153 kW / 208 hp)
- LF 230 PX-7 (167 kW / 227 hp)
- LF 260 PX-7 (189 kW / 257 hp)

## GVM<sup>1)</sup>

- 12000 kg
- Max. front 4480 kg
- Max. rear 8480 kg

## GCM<sup>2)</sup>

- 12000 kg

016F3602BBAA - 202345C - 18-08-2023

DAF Trucks Ltd, UK, Haddenham, HP17 8LJ, [www.daf.co.uk](http://www.daf.co.uk)

## CAB EXTERIOR

Day Cab with steel bumper, tinted glass and electric window openers. Main mirrors and wide angle mirrors electrically heated. Cab width 2130 mm.; Green tinted glass; Electrically adjustable mirrors; Mirror brackets, body 2.50-2.60 m; Front view mirror.

### Optional

<b>02576</b> Extended Day Cab	<b>07343</b> Kerb view window co-driver door
<b>02106</b> Sleeper Cab	<b>00915</b> Side no glass / rear single glass
<b>01173</b> Cab suspension mechanical	<b>09101</b> Green tinted glass, heated
<b>01605</b> Cab suspension mechanical reinforced	<b>03605</b> Mirror brackets, body 2.10-2.29 m
<b>09983</b> Fog lights	<b>09282</b> Mirror brackets, body 2.30-2.40 m
<b>09984</b> Fog lights and cornering lights	<b>09283</b> Mirror brackets, body 2.40-2.50 m

## AERODYNAMICS

### Optional

<b>09287</b> Side collars prepared	<b>07112</b> Side collars long (set)
------------------------------------	--------------------------------------

## COLOURS

; Head lamp panel and bumper: Stone Grey; Chassis colour grey..

### Optional

<b>06485</b> Head lamp panel and bumper: cab colour	<b>16153</b> Cab and chassis colours
---	--------------------------------------

## CAB INTERIOR

Right-hand drive (RHD); Mechanically adjustable steering column; Driver seat: air suspended; Co-driver seat: fixed velour; Storage box on engine tunnel.

### Optional

<b>01846</b> Left-hand drive (LHD)	<b>04346</b> Lower bunk, normal level
<b>09271</b> Steering wheel, leather, colour black	<b>02213</b> Air conditioning
<b>03516</b> Pneumatically adjustable steering column	<b>03703</b> Auxiliary cab heater Air Top 2000
<b>00967</b> Seat belts red	<b>04246</b> Roof hatch, manual control
<b>16158</b> Seat types	<b>04258</b> Roof hatch, electric control

## COMMUNICATION AND DRIVING MANAGEMENT

FMS connector, prepared; Tachograph digital, Stoneridge 1C version G2V2; Adaptive Cruise Control with FCW and AEBS-3.

### Optional

<b>16155</b> Audio equipment, makes and types
---

## SAFETY AND SECURITY

Lane Departure Warning System; Vehicle Stability Control (VSC); Basic engine immobiliser system.

### Optional

<b>08631</b> Air bag (driver) and 2 seat belt tensioners	<b>06634</b> Immobiliser 5 minutes and alarm (SCM BV03-B2)
<b>01725</b> Reverse warning	<b>06635</b> Immobiliser 15 minutes and alarm (SCM BV03-B3)
<b>07414</b> Reverse warning with self-adjusting volume	<b>16156</b> EC-ADR packages
<b>06633</b> Immobiliser 5 minutes (SCM BV03-B1)	

## SUSPENSION AND AXLES

Front: 4.50 t, parabolic, F48; Rear: 8.50 t, parabolic, SR8.22.

### Optional

<b>01372</b> Rear springs air	<b>00369</b> Rear springs parabolic, asymmetric
-------------------------------	---

## WHEELS AND TYRES

Front axle(s): 245/70R17.5; Driven rear axle(s): 245/70R17.5; Wheel protection rings silvergrey.

### Optional

<b>06764</b> Wheel protection rings black	<b>16152</b> Tyre makes and types
---	-----------------------------------

## DRIVELINE

Engine PX-5, 4 cylinder diesel engine, 4.5 litres. Output 139 kW (189 hp) at 2300 rpm. Max. torque 745 Nm at 1200-1700 rpm.; Exhaust emission Euro 6; Engine idle shutdown, 5 minutes; Manual gearbox, 6 speeds; Gearbox ratio 6.58-0.78; Rear axle ratio 3.31.

### Optional

<b>07667</b> Automatic gearbox PowerLine, 8-speed	<b>09888</b> Automatic gearbox, 5 speeds
---	--

## BRAKE SYSTEM

Exhaust brake.

## CHASSIS

Wheelbase 4.30 m / rear overhang 2.18 m; Side member height 210 mm; EAS unit right, discharge right rearward; Plastic fuel tank 110 l; Tank for AdBlue® 30 l, right-hand side chassis; Spray suppression.

### Optional

<b>02011</b> Spare wheel carrier in rear overhang	<b>03323</b> Rear light with LEDs
<b>07071</b> Spare wheel carrier right-hand side	

## DRAWBAR AND TRAILER EQUIPMENT

Closing member.

### Optional

<b>04661</b> D-value cross member D= 8.5
--

## BODIES AND PREPARATIONS FOR BODYING

No BodyBuilder Module (BBM); Application connector chassis; Standard body attachment hole pattern.

### Optional

<b>09952</b> BodyBuilder Module (BBM) full	<b>01503</b> Side marker lights
<b>02597</b> Application connector for tail lift control	<b>07487</b> Body attachment BAM 1, loose consoles supply
<b>02950</b> Application connector for hydraulic platform	<b>07488</b> Body attachment BAM 3, loose consoles supply
<b>09240</b> Application connector for refuse collector	

## POWER TAKE-OFF (PTO)

### Optional

<b>06624</b> Indirect front engine PTO	<b>16148</b> PTO types and positions
<b>06785</b> Front engine PTO, generator preparation 22.5 kW	

## 24V POWER SUPPLY

Alternator 80 A, batteries 2x 125 Ah..

### Optional

**01897** Alternator 100 A                      **08797** Batteries 2x175Ah

## GVM AND GCM

Chassis weight related technical GVM max 12000 kg; Driveline related technical GCM equal to GVM.

### Optional

<b>00054</b> Driveline related max GCM 18000 kg	<b>08629</b> Driveline related max GCM 22000 kg
<b>00728</b> Driveline related max GCM 20000 kg	<b>03700</b> Driveline related technical GCM = GVM+3500 kg

## APPLICATION CONDITIONS

Moisture separator, unheated; Air intake low.

### Optional

<b>02270</b> Cold climate	<b>09960</b> Air intake on the cab roof
<b>04767</b> Moisture separator, heated	<b>04987</b> Radiator flyscreen
<b>04482</b> Air intake high behind cab	

## SERVICE AND MAINTENANCE

Warranty Plus - 1 Year Vehicle & 3 Year Driveline - takes care of all warrantable repairs on the vehicle for one year and on the driveline for second and third years together with associated breakdown coverage.; DAF 2 year Preventive Maintenance Package - 320k.

## VEHICLE DELIVERY

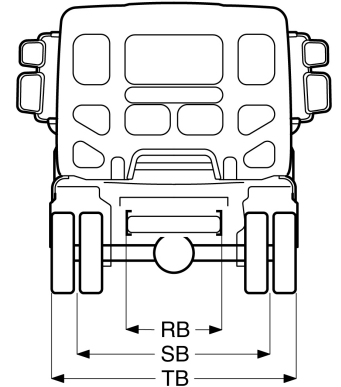
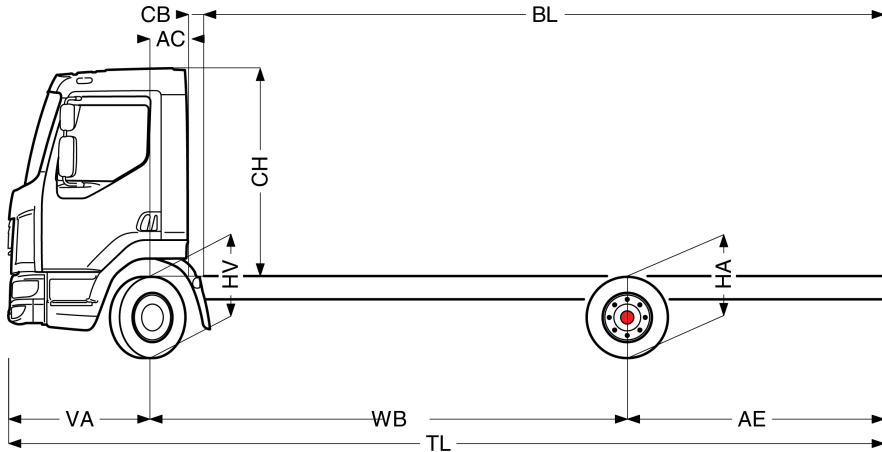
Standard toolkit.



Go to [DAF.com](https://www.daf.com) to configure your own perfect DAF.

# LF 190

FA 4X2 Rigid, 12t



	Wheelbase - AE		Unladen weight <sup>1)</sup>			Gross Carrying Capacity			Variable dimensions									
	WB	AE <sup>5)</sup>	Front	Rear	Total	Front	Rear	Total	AC	CB <sup>6)</sup>	CH <sup>7)</sup>	BL <sup>8)</sup>	BL	TL	HA <sup>9)</sup>	HA <sup>10)</sup>	TK <sup>11)</sup>	TW <sup>12)</sup>
DAY CAB	3,15	1,73	2534	1064	3599	1946	7416	8402	0,33	0,12	1,84	3,93	4,59	6,16	0,98	0,89	11,41	12,66
	3,55	1,98	2543	1087	3630	1937	7393	8370	0,33	0,12	1,84	4,55	5,30	6,81	0,98	0,89	12,44	13,72
	3,90	2,23	2547	1104	3651	1933	7376	8349	0,33	0,12	1,84	5,08	5,91	7,41	0,98	0,89	13,35	14,64
	4,30	2,18	2565	1110	3676	1915	7370	8324	0,33	0,12	1,84	5,71	6,63	7,76	0,98	0,91	14,39	15,70
	4,65	2,75	2560	1147	3707	1920	7333	8293	0,33	0,12	1,84	6,23	7,22	8,68	0,98	0,89	15,30	16,62
	5,00	2,46	2587	1140	3727	1893	7340	8273	0,33	0,12	1,84	6,79	7,87	8,74	0,98	0,91	16,21	17,55
	5,40	2,43	2603	1149	3751	1877	7331	8249	0,33	0,12	1,84	7,42	8,58	9,11	0,98	0,92	17,26	18,60
	5,70	2,41	2617	1157	3774	1863	7323	8226	0,33	0,12	1,84	7,90	9,12	9,39	0,98	0,93	18,05	19,40
	6,10	2,65	2625	1177	3801	1855	7303	8199	0,33	0,12	1,84	8,52	9,84	10,03	0,98	0,93	19,09	20,45
	6,40	2,80	2633	1195	3827	1847	7285	8173	0,33	0,12	1,84	8,99	10,37	10,48	0,98	0,93	19,88	21,25
6,70	3,00	2640	1215	3855	1840	7265	8145	0,33	0,12	1,84	9,44	10,91	10,98	0,98	0,93	20,67	22,04	
SLEEPER CAB	WB	AE <sup>5)</sup>	Front	Rear	Total	Front	Rear	Total	AC	CB <sup>6)</sup>	CH <sup>7)</sup>	BL <sup>8)</sup>	BL	TL	HA <sup>9)</sup>	HA <sup>10)</sup>	TK <sup>11)</sup>	TW <sup>12)</sup>
	3,55	1,98	2649	1105	3754	1831	7375	8246	0,73	0,07	1,87	3,91	4,68	6,81	0,98	0,87	12,44	13,72
	3,90	2,23	2654	1121	3775	1826	7359	8225	0,73	0,07	1,87	4,46	5,29	7,41	0,98	0,87	13,35	14,64
	4,30	2,18	2674	1125	3799	1806	7355	8201	0,73	0,07	1,87	5,09	6,03	7,76	0,98	0,89	14,39	15,70
	4,65	2,75	2670	1161	3831	1810	7319	8169	0,73	0,07	1,87	5,63	6,63	8,68	0,98	0,88	15,30	16,62
	5,00	2,46	2697	1153	3851	1783	7327	8149	0,73	0,07	1,87	6,20	7,28	8,74	0,98	0,90	16,21	17,55
	5,40	2,43	2714	1161	3875	1766	7319	8125	0,73	0,07	1,87	6,84	8,02	9,11	0,98	0,91	17,26	18,60
	5,70	2,41	2729	1169	3898	1751	7311	8102	0,73	0,07	1,87	7,32	8,56	9,39	0,98	0,92	18,05	19,40
	6,10	2,65	2737	1187	3925	1743	7293	8075	0,73	0,07	1,87	7,94	9,29	10,03	0,98	0,92	19,09	20,45
	6,40	2,80	2746	1205	3951	1734	7275	8049	0,73	0,07	1,87	8,43	9,84	10,48	0,98	0,92	19,88	21,25
6,70	3,00	2753	1225	3978	1727	7255	8022	0,73	0,07	1,87	8,89	10,37	10,98	0,98	0,92	20,67	22,04	

OTHER DIMENSIONS VA: 1,28 HV<sup>13)</sup>: 0,92 HV<sup>14)</sup>: 0,84 RB: 0,86 SB: 1,74 TB<sup>15)</sup>: 2,32

- GVM in conformity with registration documents.
- GCM in conformity with registration documents.
- Axle load with standard tyre size.
- Chassis and cab weight calculated with: Standard specification items only with 110 litres of fuel, 30 litres of AdBlue® and driver of 90 kg, tolerance ± 3%. Changing of the specification can have major impact on vehicle weight.
- Other AE dimensions may be available for shown WB. Modify rear overhang to the calculated body length.
- CB is based on standard air intake and/or exhaust.
- Cab height is measured from frame member to closed cabin roof hatch.
- Calculate customer specific body length with TOPEC. Body lengths shown based on evenly distributed load at max axle load.
- Unladen height at centre of driven axle(s).
- Laden height at centre of driven axle(s).
- TK = turning circle between kerbs.
- TW = turning circle between walls.
- Unladen height at centre of front axle(s).
- Laden height at centre of front axle(s).
- TB is overall width at rear. (At centre of front axle 255).

Depending on the vehicle configuration a specific option may not be possible. The availability and specification of this vehicle may differ per country. For further information please contact the DAF organisation. Pictures and technical illustrations are not binding in detail and can differ from the standard specification. Subject to modification without prior notice.