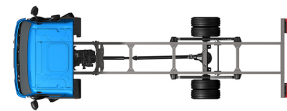


# Specification sheet

# LF 190

FA 4X2 Rigid, 08t Chassis/Body



## ENGINES

- LF 170 PX-5 (124 kW / 169 hp)
- LF 190 PX-5 (139 kW / 189 hp)
- LF 210 PX-5 (153 kW / 208 hp)
- LF 230 PX-7 (167 kW / 227 hp)

## GVM<sup>1)</sup>

- 7500 kg
- Max. front 3600 kg
- Max. rear 5000 kg

## GCM<sup>2)</sup>

- 7500 kg

016F3602CAAA - 202345C - 18-08-2023

DAF Trucks Ltd, UK, Haddenham, HP17 8LJ, [www.daf.co.uk](http://www.daf.co.uk)

## CAB EXTERIOR

Day Cab with steel bumper, tinted glass and electric window openers. Main mirrors and wide angle mirrors electrically heated. Cab width 2130 mm.; Green tinted glass; Electrically adjustable mirrors; Mirror brackets, body 2.50-2.60 m; Front view mirror.

### Optional

<b>02576</b> Extended Day Cab	<b>09984</b> Fog lights and cornering lights
<b>02106</b> Sleeper Cab	<b>07343</b> Kerb view window co-driver door
<b>01173</b> Cab suspension mechanical	<b>00915</b> Side no glass / rear single glass
<b>01605</b> Cab suspension mechanical reinforced	<b>09101</b> Green tinted glass, heated
<b>09983</b> Fog lights	<b>09283</b> Mirror brackets, body 2.40-2.50 m

## AERODYNAMICS

### Optional

<b>09287</b> Side collars prepared	<b>07112</b> Side collars long (set)
------------------------------------	--------------------------------------

## COLOURS

; Head lamp panel and bumper: Stone Grey; Chassis colour grey..

### Optional

<b>06485</b> Head lamp panel and bumper: cab colour	<b>01303</b> Curtain colour 557 blue, panels white
<b>04674</b> Body panels standard white	<b>01340</b> Curtain colour 602 green, panels white
<b>01238</b> Curtain colour 907 white, panels white	<b>01344</b> Curtain colour 763 grey, panels white
<b>01241</b> Curtain colour 148 yellow, panels white	<b>01350</b> Curtain colour 905 black, panels white
<b>01298</b> Curtain colour 356 red, panels white	<b>16153</b> Cab and chassis colours

## CAB INTERIOR

Right-hand drive (RHD); Mechanically adjustable steering column; Driver seat: air suspended; Co-driver seat: fixed velour; Storage box on engine tunnel.

### Optional

<b>09271</b> Steering wheel, leather, colour black	<b>02213</b> Air conditioning
<b>03516</b> Pneumatically adjustable steering column	<b>03703</b> Auxiliary cab heater Air Top 2000
<b>00967</b> Seat belts red	<b>04246</b> Roof hatch, manual control
<b>16158</b> Seat types	<b>04258</b> Roof hatch, electric control
<b>04346</b> Lower bunk, normal level	

## COMMUNICATION AND DRIVING MANAGEMENT

FMS connector, prepared; Tachograph digital, Stoneridge 1C version G2V2; Adaptive Cruise Control with FCW and AEBS-3.

### Optional

<b>16155</b> Audio equipment, makes and types
---

## SAFETY AND SECURITY

Lane Departure Warning System; Vehicle Stability Control (VSC); Basic engine immobiliser system.

### Optional

<b>08631</b> Air bag (driver) and 2 seat belt tensioners	<b>06634</b> Immobiliser 5 minutes and alarm (SCM BV03-B2)
<b>01725</b> Reverse warning	<b>06635</b> Immobiliser 15 minutes and alarm (SCM BV03-B3)
<b>07414</b> Reverse warning with self-adjusting volume	<b>16156</b> EC-ADR packages
<b>06633</b> Immobiliser 5 minutes (SCM BV03-B1)	

## SUSPENSION AND AXLES

Front: 3.60 t, parabolic, F36; Rear: 5.00 t, parabolic, SR5.14.

### Optional

<b>01372</b> Rear springs air	<b>08031</b> Rear springs parabolic, Heavy Duty
-------------------------------	---

## WHEELS AND TYRES

Front axle(s): 215/75R17.5; Driven rear axle(s): 215/75R17.5; Wheel protection rings silvergrey.

### Optional

<b>06764</b> Wheel protection rings black	<b>16152</b> Tyre makes and types black
---	---

## DRIVELINE

Engine PX-5, 4 cylinder diesel engine, 4.5 litres. Output 139 kW (189 hp) at 2300 rpm. Max. torque 745 Nm at 1200-1700 rpm.; Exhaust emission Euro 6; Engine idle shutdown, 5 minutes; Manual gearbox, 6 speeds; Gearbox ratio 6.58-0.78; Rear axle ratio 3.73.

### Optional

<b>07667</b> Automatic gearbox PowerLine, 8-speed
---

## BRAKE SYSTEM

Exhaust brake.

## CHASSIS

Wheelbase 4.30 m / rear overhang 2.43 m; Side member height 210 mm; EAS unit right, discharge right rearward; Plastic fuel tank 110 l; Tank for AdBlue® 30 l, right-hand side chassis; Spray suppression.

### Optional

<b>03323</b> Rear light with LEDs
-----------------------------------

## DRAWBAR AND TRAILER EQUIPMENT

Closing member.

### Optional

<b>04661</b> D-value cross member D=8.5
---

## BODIES AND PREPARATIONS FOR BODYING

No BodyBuilder Module (BBM); Application connector on the cab front; Standard body attachment hole pattern.

## Optional

<b>09952</b> BodyBuilder Module (BBM) full	<b>02698</b> Body floor with 3 mm aluminium tread plate
<b>00126</b> Body attachment BAM 1, consoles type B	<b>02717</b> Aluminium kick strips, front and sides 228 mm
<b>02357</b> Box body	<b>02712</b> Aluminium kick strips, front 228 mm
<b>01890</b> Curtain sider body	<b>02727</b> Galvanised kick strips, front and sides 200 mm
<b>03562</b> Aerobody	<b>02727</b> Galvanised kick strips, front and sides 200 mm
<b>02615</b> External body length 5150 mm	<b>02728</b> Plywood kick strips, front and sides 300 mm
<b>02622</b> External body length 6100 mm	<b>02738</b> Plywood kick strips, front 1200 mm, sides 300 mm
<b>02650</b> External body length 6810 mm	<b>04650</b> Rear wide lath shutter door
<b>04619</b> External body width 2480 mm	<b>04662</b> Rear double doors
<b>01403</b> GRP faced plywood panels	<b>02726</b> Single, hinged side door at front left-hand side
<b>02694</b> Light weight box panels	<b>02718</b> Side roller shutter door
<b>00067</b> Contour markings	<b>04637</b> Column tail lift
<b>02702</b> Standard body floor	<b>04640</b> Tuck-under tail lift

## POWER TAKE-OFF (PTO)

### Optional

**16148** PTO types and positions

## 24V POWER SUPPLY

Alternator 80 A, batteries 2x 125 Ah..

### Optional

**01897** Alternator 100 A                      **08797** Batteries 2x175Ah

## GVM AND GCM

Chassis weight related technical GVM max 7500 kg; Driveline related technical GCM equal to GVM.

### Optional

**03428** Driveline related max GCM 16000 kg                      **03700** Driveline related technical GCM = GVM+3500 kg  
**00054** Driveline related max GCM 18000 kg

## APPLICATION CONDITIONS

Moisture separator, unheated; Air intake low.

### Optional

**02270** Cold climate                      **04482** Air intake high behind cab  
**04767** Moisture separator, heated                      **04987** Radiator flyscreen

## SERVICE AND MAINTENANCE

Warranty Plus - 1 Year Vehicle & 3 Year Driveline - takes care of all warrantable repairs on the vehicle for one year and on the driveline for second and third years together with associated breakdown coverage.; DAF 2 year Preventive Maintenance Package - 320k.

## VEHICLE DELIVERY

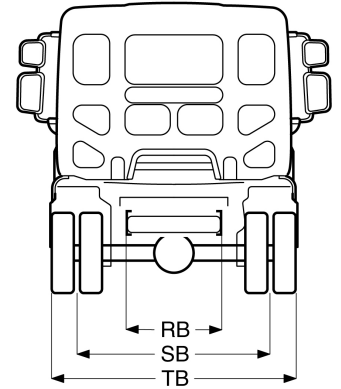
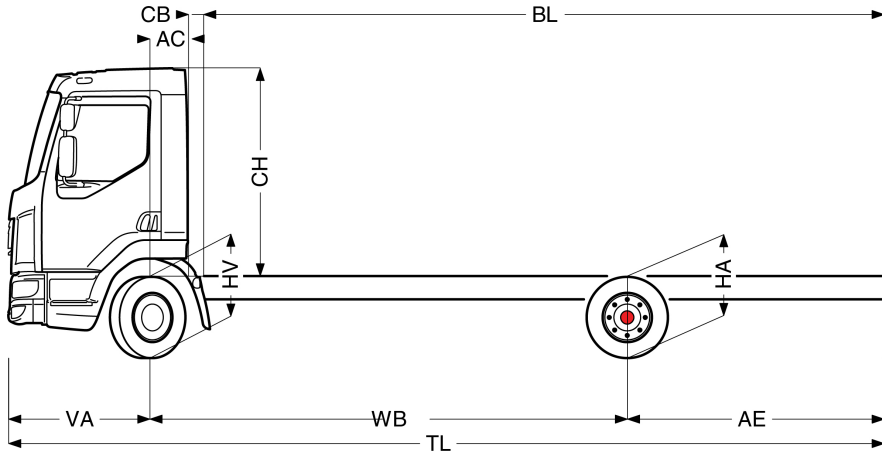
Standard toolkit.



Go to [DAF.com](https://www.daf.com) to configure your own perfect DAF.

# LF 190

FA 4X2 Rigid, 08t Chassis/Body



	Wheelbase - AE		Unladen weight <sup>1)</sup>			Gross Carrying Capacity			Variable dimensions									
	WB	AE <sup>5)</sup>	Front	Rear	Total	Front	Rear	Total	AC	CB <sup>6)</sup>	CH <sup>7)</sup>	BL <sup>8)</sup>	BL	TL	HA <sup>9)</sup>	HA <sup>10)</sup>	TK <sup>11)</sup>	TW <sup>12)</sup>
DAY CAB	3,55	1,98	2398	870	3268	1202	4130	4232	0,33	0,22	1,84	3,99	5,82	6,81	1,01	0,89	12,43	13,73
	3,90	2,23	2396	879	3276	1204	4121	4224	0,33	0,22	1,84	4,48	6,50	7,41	1,01	0,89	13,34	14,66
	4,30	2,43	2414	904	3318	1186	4096	4182	0,33	0,22	1,84	5,07	7,31	8,01	1,01	0,89	14,38	15,71
	4,65	2,75	2420	926	3347	1180	4074	4154	0,33	0,22	1,84	5,57	8,01	8,68	1,01	0,89	15,29	16,64
SLEEPER CAB	WB	AE <sup>5)</sup>	Front	Rear	Total	Front	Rear	Total	AC	CB <sup>6)</sup>	CH <sup>7)</sup>	BL <sup>8)</sup>	BL	TL	HA <sup>9)</sup>	HA <sup>10)</sup>	TK <sup>11)</sup>	TW <sup>12)</sup>
	3,55	1,98	2535	849	3384	1065	4151	4116	0,73	0,20	1,87	3,41	5,30	6,81	1,02	0,88	12,43	13,73
	3,90	2,23	2543	871	3414	1057	4129	4086	0,73	0,20	1,87	3,92	6,02	7,41	1,01	0,89	13,34	14,66
	4,30	2,43	2547	885	3432	1053	4115	4068	0,73	0,20	1,87	4,52	6,83	8,01	1,01	0,89	14,38	15,71
	4,65	2,75	2559	916	3475	1041	4084	4025	0,73	0,20	1,87	5,04	7,56	8,68	1,01	0,89	15,29	16,64

OTHER DIMENSIONS VA: 1,28 HV<sup>13)</sup>: 0,90 HV<sup>14)</sup>: 0,86 RB: 0,86 SB: 1,74 TB<sup>15)</sup>: 2,28

- 1) GVM in conformity with registration documents.
- 2) GCM in conformity with registration documents.
- 3) Axle load with standard tyre size.
- 4) Chassis and cab weight calculated with: Standard specification items only with 110 litres of fuel, 30 litres of AdBlue® and driver of 90 kg, tolerance ± 3%. Changing of the specification can have major impact on vehicle weight.
- 5) Other AE dimensions may be available for shown WB. Modify rear overhang to the calculated body length.
- 6) CB is based on standard air intake and/or exhaust.
- 7) Cab height is measured from frame member to closed cabin roof hatch.
- 8) Calculate customer specific body length with TOPEC. Body lengths shown based on evenly distributed load at max axle load.
- 9) Unladen height at centre of driven axle(s).
- 10) Laden height at centre of driven axle(s).
- 11) TK = turning circle between kerbs.
- 12) TW = turning circle between walls.
- 13) Unladen height at centre of front axle(s).
- 14) Laden height at centre of front axle(s).
- 15) TB is overall width at rear. (At centre of front axle 255).

Depending on the vehicle configuration a specific option may not be possible. The availability and specification of this vehicle may differ per country. For further information please contact the DAF organisation. Pictures and technical illustrations are not binding in detail and can differ from the standard specification. Subject to modification without prior notice.