

# Specification sheet

# LF 230

FA 4X2 Rigid, 19t Construction



## ENGINES

- LF 230 PX-7 (167 kW / 227 hp)
- LF 260 PX-7 (189 kW / 257 hp)
- LF 290 PX-7 (212 kW / 287 hp)
- LF 310 PX-7 (227 kW / 308 hp)

## GVM<sup>1)</sup>

- 18000 kg
- Max. front 7500 kg
- Max. rear 11500 kg

## GCM<sup>2)</sup>

- 19000 kg

016F5603ABAA - 202345C - 18-08-2023

DAF Trucks Ltd, UK, Haddenham, HP17 8LJ, [www.daf.co.uk](http://www.daf.co.uk)

## CAB EXTERIOR

Day Cab with steel bumper, tinted glass and electric window openers. Main mirrors and wide angle mirrors electrically heated. Cab width 2130 mm.; Green tinted glass; Electrically adjustable mirrors; Mirror brackets, body 2.50-2.60 m; Front view mirror.

### Optional

- 07343** Kerb view window co-driver door      **09101** Green tinted glass, heated  
**09287** Side collars prepared      **09283** Mirror brackets, body 2.40-2.50 m  
**00915** Side no glass / rear single glass

## AERODYNAMICS

### Optional

- 09287** Side collars prepared

## COLOURS

; Head lamp panel and bumper: Stone Grey; Chassis colour grey..

### Optional

- 16153** Cab and chassis colours

## CAB INTERIOR

Right-hand drive (RHD); Mechanically adjustable steering column; Driver seat: air suspended; Co-driver seat: fixed velour; Storage box on engine tunnel.

### Optional

- 01846** Left-hand drive (LHD)      **16158** Seat types  
**09271** Steering wheel, leather, colour black      **02213** Air conditioning  
**03516** Pneumatically adjustable steering column      **04246** Roof hatch, manual control  
**00967** Seat belts red

## COMMUNICATION AND DRIVING MANAGEMENT

FMS connector, prepared; Tachograph digital, Stoneridge 1C version G2V2; Cruise control.

### Optional

- 16155** Audio equipment, makes and types      **08023** Adaptive Cruise Control with FCW and AEBS-3

## SAFETY AND SECURITY

No Lane Departure Warning System; Vehicle Stability Control (VSC); Basic engine immobiliser system.

### Optional

- 08631** Air bag (driver) and 2 seat belt tensioners      **06634** Immobiliser 5 minutes and alarm (SCM BV03-B2)  
**01725** Reverse warning      **06635** Immobiliser 15 minutes and alarm (SCM BV03-B3)  
**07414** Reverse warning with self-adjusting volume  
**06633** Immobiliser 5 minutes (SCM BV03-B1)      **16156** EC-ADR packages

## SUSPENSION AND AXLES

Front axle type 152N, 100 mm vertical offset. Parabolic leaf suspension with shock absorbers and stabiliser. Max. load 7.5 tonnes.; Single reduction driven rear axle type SR1 132 with asymmetric parabolic leaf suspension, including shock absorbers. Max. load 11.5 tonnes..

## WHEELS AND TYRES

Front axle(s): 315/80R22.5; Driven rear axle(s): 315/80R22.5; Wheel protection rings silvergrey.

### Optional

- 06764** Wheel protection rings black      **16152** Tyre makes and types  
**06766** Wheel protection rings chromium DAF

## DRIVELINE

Engine PX-7, 6 cylinder diesel engine, 6.7 litres. Output 167 kW (227 hp) at 1900 rpm. Max. torque 890 Nm at 1000-1700 rpm.; Exhaust emission Euro 6; Engine idle shutdown, 5 minutes; Manual gearbox, 6 speeds; Gearbox ratio 6.75-0.78; Rear axle ratio 5.13.

### Optional

- 04393** Manual gearbox, 9 speeds      **02313** Gearbox direct drive  
**07667** Automatic gearbox PowerLine, 8-speed

## BRAKE SYSTEM

Exhaust brake.

## CHASSIS

Wheelbase 3.75 m / rear overhang 1.12 m; Side member height 270 mm; EAS unit right, vertical discharge; Plastic fuel tank 200 l; Tank for AdBlue® 55 l, right-hand side chassis; No front underrun protection; No spray suppression.

### Optional

- 07071** Spare wheel carrier right-hand side      **03323** Rear light with LEDs

## DRAWBAR AND TRAILER EQUIPMENT

Closing member.

## BODIES AND PREPARATIONS FOR BODYING

No BodyBuilder Module (BBM); Application connector chassis; Standard body attachment hole pattern.

### Optional

- 09952** BodyBuilder Module (BBM) full      **09240** Application connector for refuse collector  
**02597** Application connector for tail lift control      **01503** Side marker lights  
**02950** Application connector for hydraulic platform

## POWER TAKE-OFF (PTO)

### Optional

- 16148** PTO types and positions

## 24V POWER SUPPLY

Alternator 80 A, batteries 2x 125 Ah..

### Optional

- 01897** Alternator 100 A      **08797** Batteries 2x175Ah

## GVM AND GCM

Chassis weight related technical GVM max 19000 kg; Driveline related technical GCM equal to GVM.

### Optional

**00064** Driveline related max  
GCM 22500 kg

## APPLICATION CONDITIONS

Moisture separator, unheated; Air intake high behind cab.

### Optional

**02270** Cold climate  
**09960** Air intake on the cab roof  
**04767** Moisture separator,  
heated  
**04987** Radiator flyscreen

## SERVICE AND MAINTENANCE

Warranty Plus - 1 Year Vehicle & 3 Year Driveline - takes care of all warrantable repairs on the vehicle for one year and on the driveline for second and third years together with associated breakdown coverage.; DAF 2 year Preventive Maintenance Package - 320k.

## VEHICLE DELIVERY

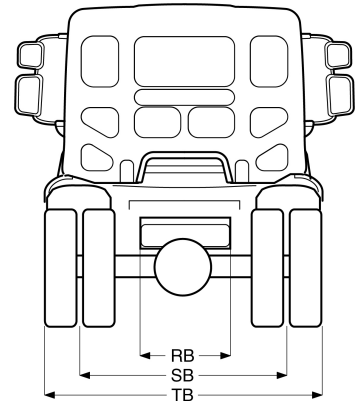
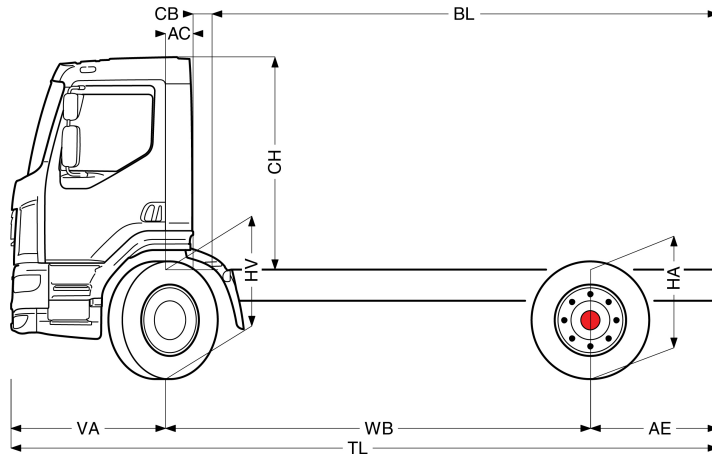
Standard toolkit.



Go to [DAF.com](https://www.daf.com) to configure your own perfect DAF.

# LF 230

FA 4X2 Rigid, 19t Construction



	Wheelbase - AE		Unladen weight <sup>1)</sup>			Gross Carrying Capacity			Variable dimensions									
	WB	AE <sup>5)</sup>	Front	Rear	Total	Front	Rear	Total	AC	CB <sup>6)</sup>	CH <sup>7)</sup>	BL <sup>8)</sup>	BL	TL	HA <sup>9)</sup>	HA <sup>10)</sup>	TK <sup>11)</sup>	TW <sup>12)</sup>
DAY CAB	3,45	1,12	3431	1643	5075	4069	9857	12925	0,24	0,47	1,88	3,47	3,47	5,95	1,08	0,95	12,96	13,97
	3,75	1,12	3497	1732	5229	4003	9768	12771	0,24	0,24	1,88	4,36	4,36	6,25	1,08	0,97	13,78	14,81
	4,15	1,12	3519	1733	5252	3981	9767	12748	0,24	0,24	1,88	4,94	4,94	6,65	1,08	0,97	14,87	15,92
	4,45	1,12	3542	1746	5287	3958	9754	12713	0,24	0,24	1,88	5,37	5,37	6,95	1,08	0,98	15,69	16,75
	4,75	1,12	3554	1751	5305	3946	9749	12695	0,24	0,24	1,88	5,81	5,81	7,25	1,08	0,98	16,51	17,58

OTHER DIMENSIONS VA: 1,38 HV<sup>13)</sup>: 1,00 HV<sup>14)</sup>: 0,90 RB: 0,79 SB: 1,83 TB<sup>15)</sup>: 2,47

1) GVM in conformity with registration documents.  
 2) GCM in conformity with registration documents.  
 3) Axle load with standard tyre size.  
 4) Chassis and cab weight calculated with: Standard specification items only with 200 litres of fuel, 60 litres of AdBlue® and driver of 90 kg, tolerance ± 3%. Changing of the specification can have major impact on vehicle weight.  
 5) Other AE dimensions may be available for shown WB. Modify rear overhang to the calculated body length.  
 6) CB is based on standard air intake and/or exhaust.  
 7) Cab height is measured from frame member to closed cabin roof hatch.

8) Calculate customer specific body length with TOPEC. Body lengths shown based on evenly distributed load at max axle load.  
 9) Unladen height at centre of driven axle(s).  
 10) Laden height at centre of driven axle(s).  
 11) TK = turning circle between kerbs.  
 12) TW = turning circle between walls.  
 13) Unladen height at centre of front axle(s).  
 14) Laden height at centre of front axle(s).  
 15) TB is overall width at rear. (At centre of front axle 255).

Depending on the vehicle configuration a specific option may not be possible. The availability and specification of this vehicle may differ per country. For further information please contact the DAF organisation. Pictures and technical illustrations are not binding in detail and can differ from the standard specification. Subject to modification without prior notice.