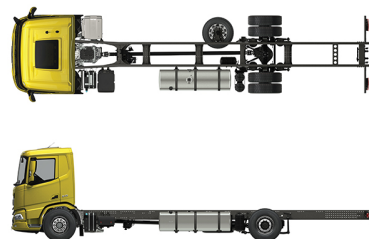


# Specification sheet

# XD 230

FA 4X2 Rigid, 19t Chassis/Body



**XD**

## ENGINES

- XD NewGen 230 PX-7 (167 kW / 227 hp)
- XD NewGen 260 PX-7 (189 kW / 257 hp)
- XD NewGen 290 PX-7 (212 kW / 287 hp)
- XD NewGen 310 PX-7 (227 kW / 308 hp)

## GVM<sup>1)</sup>

- 18000 kg
- Max. front 8000 kg
- Max. rear 11500 kg

## GCM<sup>2)</sup>

- 19000 kg

016F6806BAAA - 202345C - 18-08-2023

DAF Trucks Ltd, UK, Haddenham, HP17 8LJ, [www.daf.co.uk](http://www.daf.co.uk)

## CAB EXTERIOR

Luxurious Day Cab with unrivalled aerodynamics for fuel efficient driving and low CO2 emissions. The huge and deep frontscreen, curved at the sides combined with large side windows offer an unsurpassed direct view for the driver, to enhance road safety. Cab length: 2030 mm; cab width: 2500 mm. Number of cab entrance steps: 2.; Cab suspension mechanical; LED head lights; DAF Corner View.

### Optional

<b>01226</b> Cab suspension air	<b>06629</b> Two hazard beacon lights
<b>03358</b> External sun visor	<b>03232</b> Front windscreen with solar control foil
<b>03922</b> Fog lights front	<b>03317</b> Rear window: double glass
<b>01925</b> Two LED work lamps for cab rear wall	<b>07343</b> Kerb view window co-driver door
<b>01891</b> Hazard beacons on cab front, prepared	<b>01362</b> DAF Digital Vision System

## AERODYNAMICS

### Optional

<b>00082</b> Adj. roof air deflector for Day Cab
--

## COLOURS

Cab colour E1980 Crystal White; Chassis colour grey.; Colour of bumper: Crystal White.

## CAB INTERIOR

Cab interior trim colour: Luxury; Dashboard finish: Vision; Cab interior decoration: Hexagon; Driver seat: Comfort Air; Co-driver seat: cinema with fabric cover; No dashboard table; Storage compartment in centre; Automatic Temperature Control and airco; No auxiliary cab heater.

### Optional

<b>02354</b> Steering wheel with silver accents	<b>07737</b> Driver seat: Xtra Leather Air
<b>02355</b> Steering wheel, leather	<b>01740</b> Arm rest at both sides of the driver seat
<b>02353</b> Cab interior decoration: Argenta	<b>02117</b> Third seat
<b>02350</b> Cab interior decoration: Natura	<b>02837</b> Dashboard table
<b>07733</b> Driver seat: Luxury Air	<b>03954</b> Refrigerator
<b>07736</b> Driver seat: Super Air	<b>06970</b> Automatic Cab Climate Control

## COMMUNICATION AND DRIVING MANAGEMENT

DAF Connect; Tachograph digital, Stoneridge 1C version G2V2; Speed limiter setting 85 km/h nominal; DAF Infotainment Luxury with Luxury speakers; No Emergency response system; Adaptive Cruise Control with FCW and AEBS-3; Driver Performance Assistant.

### Optional

<b>09681</b> Preparation for Maut	<b>00272</b> DAF infot. Exclusive prepared; Exclusive speakers
<b>01171</b> DAF Infotainment System: DAB radio with speakers	<b>01923</b> DAF Infotainment Luxury Plus; Exclusive speakers
<b>01156</b> DAF Infotainment System: DAB radio+Luxury speakers	<b>06211</b> DAF Infotainment System with FM/DAB/DAB+ radio
<b>00146</b> DAF Infot. Exclusive prepared; Luxury speakers	<b>03470</b> DAF Infotainment System: Exclusive, prepared
<b>01916</b> DAF Infotainment Luxury Plus with Luxury speakers	<b>01915</b> DAF Infotainment System: Luxury Plus
<b>01158</b> DAF Infotainment Luxury with Exclusive speakers	

## SAFETY AND SECURITY

Speed limit recognition; DAF drowsiness detection; Lane Departure Warning System; Vehicle Stability Control (VSC); Basic engine immobiliser system; No EC-ADR packages; Drive-off Assist; DAF Side & Turn Assist.

### Optional

<b>08631</b> Air bag (driver) and 2 seat belt tensioners	<b>01929</b> No Drive-off Assist
<b>02567</b> No Traffic Sign Assist	<b>01952</b> No DAF Side/Turn Assist
<b>02569</b> No Driver State Monitoring	

## SUSPENSION AND AXLES

Front: 8.00 t, parabolic, 163N; Rear axle load 13.00 t; Rear: air suspension, SR1344; No lifting device.

### Optional

<b>04647</b> Front springs air
--------------------------------

## WHEELS AND TYRES

Driven rear axle(s): 315/70R22.5; Tyre pressure monitoring; F1,315/70R22.5GO FMXSE 156/150 L Steering BBA 3P; R1,315/70R22.5GO FMXDE 154/150 L Traction BBA 3P.

### Optional

<b>16152</b> Tyre makes and types
-----------------------------------

## DRIVELINE

Engine PX-7, 6 cylinder diesel engine, 6.7 litres. Output 167 kW (227 hp) at 1900 rpm. Max. torque 890 Nm at 1000-1700 rpm.; Exhaust emission Euro 6; 8-speed PowerLine 8AP1000 overdrive, 4.89-0.64; Gearbox ratio 4.89-0.64; Rear axle ratio 5.57.

## BRAKE SYSTEM

Exhaust brake; .

### Optional

<b>02861</b> PX Engine Brake	<b>01497</b> Park brake control pneumatic with spoken warning
------------------------------	---

## CHASSIS

Wheelbase 6.10 m / rear overhang 2.44 m; Side member height 310 mm; Standard component location; 340 l alu fuel tank LH, height 620 mm; Tank for AdBlue® 30 l, right-hand side chassis; Spray suppression.

### Optional

<b>16157</b> Fuel tanks, material and sizes	<b>03323</b> Rear light with LEDs
<b>07071</b> Spare wheel carrier right-hand side	

## DRAWBAR AND TRAILER EQUIPMENT

Closing member.

### Optional

<b>08026</b> Trailer coupling Rockinger D=13.0	<b>04659</b> Trailer cable EBS
--	--------------------------------

## BODIES AND PREPARATIONS FOR BODYING

Application connector chassis.

### Optional

<b>09421</b> Additional spare wiring	<b>08121</b> Tail lift application
--------------------------------------	------------------------------------

## POWER TAKE-OFF (PTO)

### Optional

16148 PTO types and positions

## 24V POWER SUPPLY

Alternator 80 A, batteries 2x 140 Ah..

### Optional

01897 Alternator 100 A

08797 Batteries 2x175Ah

## GVM AND GCM

Chassis weight related technical GVM max 19000 kg; Driveline related max GCM 19000 kg.

## APPLICATION CONDITIONS

Air intake front.

### Optional

03648 Cyclonic air intake high

## SERVICE AND MAINTENANCE

Standard Warranty takes care of 1 year complete vehicle as supplied by the OEM (excl. real wear parts), 2nd year driveline and 1st year breakdown.; ITS service.

## VEHICLE DELIVERY

Minimum toolkit.

### Optional

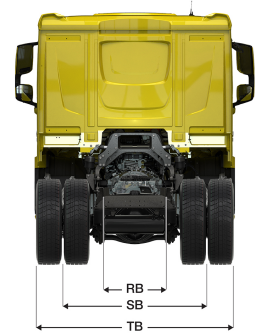
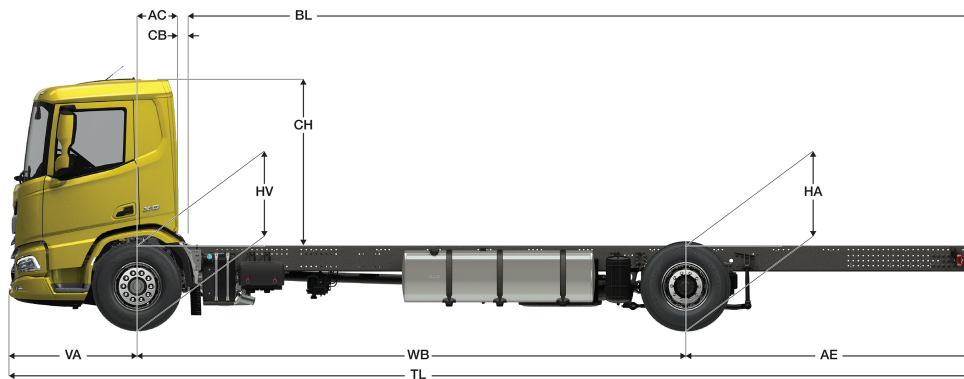
07569 Lifting jack



Go to [DAF.com](https://www.daf.com) to configure your own perfect DAF.

# XD 230

FA 4X2 Rigid, 19t Chassis/Body



	Wheelbase - AE		Unladen weight <sup>1)</sup>			Gross Carrying Capacity			Variable dimensions									
	WB	AE <sup>5)</sup>	Front	Rear	Total	Front	Rear	Total	AC	CB <sup>6)</sup>	CH <sup>7)</sup>	BL <sup>8)</sup>	BL	TL	HA <sup>9)</sup>	HA <sup>10)</sup>	TK <sup>11)</sup>	TW <sup>12)</sup>
DAY CAB	6,10	2,44	2073	1157	3231	5927	10343	14769	2,03	0,07	2,01	3,42	4,95	9,06	0,92	0,88	19,47	18,91

OTHER DIMENSIONS HV<sup>13)</sup>: 0,72 HV<sup>14)</sup>: 0,71 RB: 0,79 SB: 1,80 TB<sup>15)</sup>: 2,09

1) GVM in conformity with registration documents.  
 2) GCM in conformity with registration documents.  
 3) Axle load with standard tyre size.  
 4) Chassis and cab weight calculated with: Standard specification items only with 340 litres of fuel, 30 litres of AdBlue® and driver of 90 kg, tolerance ± 3%. Changing of the specification can have major impact on vehicle weight.  
 5) Other AE dimensions may be available for shown WB. Modify rear overhang to the calculated body length.  
 6) CB is based on standard air intake and/or exhaust.  
 7) Cab height is measured from frame member to closed cabin roof hatch.

8) Calculate customer specific body length with TOPEC. Body lengths shown based on evenly distributed load at max axle load.  
 9) Unladen height at centre of driven axle(s).  
 10) Laden height at centre of driven axle(s).  
 11) TK = turning circle between kerbs.  
 12) TW = turning circle between walls.  
 13) Unladen height at centre of front axle(s).  
 14) Laden height at centre of front axle(s).  
 15) TB is overall width at rear. (At centre of front axle 255).

Depending on the vehicle configuration a specific option may not be possible. The availability and specification of this vehicle may differ per country. For further information please contact the DAF organisation. Pictures and technical illustrations are not binding in detail and can differ from the standard specification. Subject to modification without prior notice.