

Specification sheet

XF 430

FTT 6X4 Tractor



ENGINES

- XF 430 MX-13 (315 kW / 428 hp)
- XF 480 MX-13 (355 kW / 483 hp)
- XF 530 MX-13 (390 kW / 530 hp)

GVM¹⁾

26000 kg

Max. front 8000 kg

Max. rear 19000 kg

GCM²⁾

44000 kg

016GG0749AAAA - 202345C - 18-08-2023

DAF Trucks Ltd, UK, Haddenham, HP17 8LJ, www.daf.co.uk

CAB EXTERIOR

Space Cab with galvanised steel bumper, tinted glass and electric window openers. Main mirrors and wide angle mirrors electrically heated. Cab width 2490 mm.; Cab suspension mechanical; LED daytime running lights; Front view mirror; Central door lock system, 2 keys, 2 RC units.

Optional

| | |
|---|--|
| 01760 Super Space Cab | 08020 LED head lights |
| 01226 Cab suspension air | 09982 No auxiliary lights in the bumper |
| 01174 External sun visor green translucent | 09984 Fog lights and cornering lights |
| 06790 Aluminium ladder 1-piece | 06593 Skylights |
| 06791 Aluminium ladder 2-piece | 06628 One hazard beacon light at co-driver side |
| 00847 Air horns, single set | 06627 One hazard beacon light at driver side |
| 09006 Air horns, double set | 06629 Two hazard beacon lights |

AERODYNAMICS

Optional

| | |
|--|--|
| 08823 Adj. roof air deflector Space Cab; over 4 m (!) | 06904 Fixed rf deflector; total height over 4 m |
| 06776 Adjustable roof air deflector | 07401 Winding handle for roof air deflector |
| 08822 Adj. roof air deflector for Space Cab | 04906 Side collars |
| 06160 Fixed roof air deflector for Super Space Cab | |

COLOURS

Cab colour H3279 Brilliant White; Head lamp panel and bumper: Brilliant White; Chassis colour grey..

CAB INTERIOR

Cab interior trim colour Dark Sand; Cab interior decoration Delta black; Driver seat: Comfort Air; Co-driver seat: basic; Lower bunk without drawer; Luggage carrier; Automatic Temperature Control and airco; Auxiliary cab heater (water); Pollen filter.

Optional

| | |
|---|---|
| 07152 Cab interior trim colour Exclusive | 07748 Co-driver seat: Xtra Leather Air |
| 07592 Cab interior decoration Argenta | 00967 Seat belts red |
| 07591 Cab interior decoration Rustica | 06539 Refrigerator |
| 07733 Driver seat: Luxury Air | 09603 Lower bunk with drawer 65 litres |
| 07736 Driver seat: Super Air | 06784 Lower bunk mattress Xtra Comfort |
| 07737 Driver seat: Xtra Leather Air | 01065 No upper bunk / no luggage carrier |
| 07741 Co-driver seat: Comfort Air | 01066 Upper bunk |
| 07743 Co-driver seat: Luxury Air | 06676 PL light in cab ceiling |
| 07746 Co-driver seat: Super Air | 06970 Automatic Cab Climate Control |

COMMUNICATION AND DRIVING MANAGEMENT

Tachograph digital, Stoneridge 1C version G2V2; Speed limiter setting 85 km/h; Eco off 90 km/h; Antennas: radio, 2x cellular, GNSS; Adaptive Cruise Control with FCW and AEBS-3; Driver Performance Assistant.

Optional

| | |
|---|--|
| 09681 Preparation for Maut | 06991 Predictive Cruise Control |
| 07117 Radio/USB player, 2 speakers | |

SAFETY AND SECURITY

Lane Departure Warning System; Vehicle Stability Control (VSC); Basic engine immobiliser system.

Optional

| | |
|--|----------------------------------|
| 08631 Air bag (driver) and 2 seat belt tensioners | 09828 Front camera system |
| 07011 DAF Night Lock | 09827 Side camera system |
| 02178 Main switch with second control in the cab | 01725 Reverse warning |

SUSPENSION AND AXLES

Front axle load 8.00 t; Rear: 2x 13.00 t, air suspension, SR1360T.

Optional

| | |
|-------------------------------------|--|
| 06257 Front axle load 9.00 t | 04549 Rear axle load 10.50+ 10.50 t |
| 07494 Rear axle HR1670T | |
| 01601 Rear springs trapezium | 08191 Axle load monitoring |

WHEELS AND TYRES

Front axle(s): 315/80R22.5; Driven rear axle(s): 315/80R22.5; Second driven rear or trailing axle: 315/80R22.5; Disc wheels steel, silvergrey; Wheel protection rings silvergrey.

Optional

| |
|-----------------------------------|
| 16152 Tyre makes and types |
|-----------------------------------|

DRIVELINE

Engine MX-13, multi torque 6 cylinder diesel engine, 12.9 litres. Output 315 kW (428 hp) at 1600 rpm. Maximum torque 2300 Nm at 900-1125 rpm.; Exhaust emission Euro 6; Engine idle shutdown, 5 minutes; Automated gearbox, TraXon, 12 speeds; Gearbox ratio 16.69-1.00; Rear axle ratio 2.83; ASR.

Optional

| | |
|---|--------------------------------|
| 04523 Manual gearbox, 16 speeds | 02314 Gearbox overdrive |
| 07103 Automated gearbox, TraXon, 16 speeds | |

BRAKE SYSTEM

MX Engine Brake; Park brake control with test position; Ventilated disc brakes front and rear. Dual circuit air system with electronic control (EBS). Twin cylinder air compressor with heated dryer and economy mode..

Optional

| | |
|---------------------------------|--------------------------|
| 09920 No MX Engine Brake | 02715 ZF Intarder |
|---------------------------------|--------------------------|

CHASSIS

Wheelbase 3.90 m / rear overhang 1.65 m; Side member height 310 mm; Exhaust pipe horizontal, low; Battery box behind the cab, no spare wheel carrier; Alu fuel tank 510 l with step, height 620 mm; Tank for AdBlue® 90 l, on left-hand mudguard; Front underrun protection (FUP); Catwalk with step; Rear mudguards; Spray suppression; Work lamp LED.

Optional

| | |
|--|---|
| 06611 Exhaust pipe vertical, high | 03055 Vert battery box right, no spare wheel carrier |
| 02253 Hor battery box left, no spare wheel carrier | 16157 Fuel tanks, material and sizes |
| 03135 Vert battery box left, no spare wheel carrier | 03323 Rear light with LEDs |

DRAWBAR AND TRAILER EQUIPMENT

Fifth wheel JOST type JSK37C cast iron, height 250 mm with 26 mm mounting plate. King pin diameter 2 inches.; Fifth wheel KA dimension 372.5 mm; Pneumatic trailer connection C-type; Electric connection 24 V / 2x7 pins; Trailer connection storage box.

Optional

03178 Towing hook D= 4.3 **16151** 5th wheel makes and heights

POWER TAKE-OFF (PTO)

Optional

16148 PTO types and positions

24V POWER SUPPLY

Alternator 80 A, batteries 2x 230 Ah..

Optional

06460 Alternator 120 A **07671** Batteries 2x210Ah AGM
08775 Alternator 150 A C-type

GVM AND GCM

Chassis weight related technical GVM max 33000 kg; Driveline related max GCM 61000 kg class 2.

Optional

00778 Driveline related max GCM 58000 kg class 2 **01313** Driveline related max GCM 70000 kg class 2
00818 Driveline related max GCM 60000 kg class 3 **02135** Driveline related max GCM 71000 kg class 2
06280 Driveline related max GCM 63000 kg class 2 **02143** Driveline related max GCM 78000 kg class 2

APPLICATION CONDITIONS

Air intake high.

Optional

03646 Air intake front **03648** Cyclonic air intake high

SERVICE AND MAINTENANCE

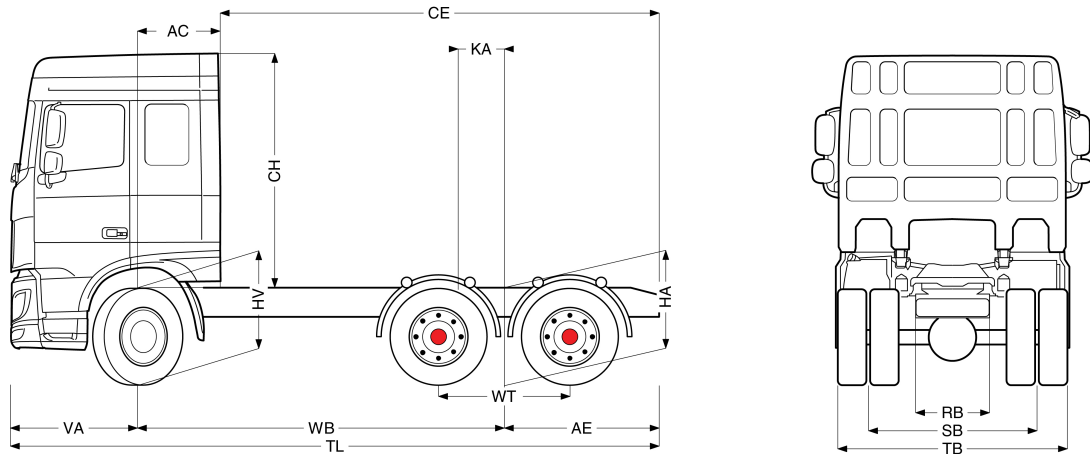
Standard Warranty takes care of 1 year complete vehicle as supplied by the OEM (excl. real wear parts), 2nd year driveline and 1st year breakdown.; ITS service.



Go to [DAF.com](https://www.daf.com) to configure your own perfect DAF.

XF 430

FTT 6X4 Tractor



| | Wheelbase - AE | | Unladen weight ¹⁾ | | | Gross Carrying Capacity | | | Variable dimensions | | | | | | | | |
|-----------------|----------------|------------------|------------------------------|------|-------|-------------------------|-------|-------|---------------------|------|------|------------------|------|------------------|------------------|------------------|-------------------|
| | WB | AE ⁵⁾ | Front | Rear | Total | Front | Rear | Total | AC | CE | CH | KA ⁶⁾ | TL | HA ⁷⁾ | HA ⁸⁾ | TK ⁹⁾ | TW ¹⁰⁾ |
| SPACE CAB | 3,90 | 1,65 | 5526 | 4134 | 9660 | 2474 | 14866 | 16340 | 0,88 | 4,67 | 2,51 | 0,37 | 6,92 | 1,07 | 1,03 | 13,76 | 15,13 |
| | 4,55 | 1,65 | 5407 | 4238 | 9645 | 2593 | 14762 | 16355 | 0,88 | 5,32 | 2,51 | 0,37 | 7,57 | 1,07 | 1,04 | 15,45 | 16,84 |
| SUPER SPACE CAB | 3,90 | 1,65 | 5609 | 4131 | 9740 | 2391 | 14869 | 16260 | 0,88 | 4,67 | 2,89 | 0,37 | 6,92 | 1,07 | 1,03 | 13,76 | 15,13 |
| | 4,55 | 1,65 | 5489 | 4236 | 9725 | 2511 | 14764 | 16275 | 0,88 | 5,32 | 2,89 | 0,37 | 7,57 | 1,07 | 1,04 | 15,45 | 16,84 |

OTHER DIMENSIONS VA: 1,37 WT: 1,40 HV¹¹⁾: 1,04 HV¹²⁾: 0,99 RB: 0,79 SB: 1,82 TB¹³⁾: 2,48

1) GVM in conformity with registration documents.
 2) GCM in conformity with registration documents.
 3) Axle load with standard tyre size.
 5) Other AE dimensions may be available for shown WB.
 6) Calculate customer specific KA with TOPEC.

7) Unladen height at centre of driven axle(s).
 8) Laden height at centre of driven axle(s).
 9) TK = turning circle between kerbs.
 10) TW = turning circle between walls.
 11) Unladen height at centre of front axle(s).
 12) Laden height at centre of front axle(s).
 13) TB is overall width at rear. (At centre of front axle 255).

Depending on the vehicle configuration a specific option may not be possible. The availability and specification of this vehicle may differ per country. For further information please contact the DAF organisation. Pictures and technical illustrations are not binding in detail and can differ from the standard specification. Subject to modification without prior notice.