

# Specification sheet

# XF 450

FTP 6X2 Tractor



## ENGINES

- XF 450 MX-11 (330 kW / 449 hp)
- XF 430 MX-13 (315 kW / 428 hp)
- XF 480 MX-13 (355 kW / 483 hp)
- XF 530 MX-13 (390 kW / 530 hp)

## GVM<sup>1)</sup>

- 23897 kg
- Max. front 8000 kg
- Max. rear 15897 kg

## GCM<sup>2)</sup>

- 44000 kg

016G0769PAAA - 202345C - 18-08-2023

DAF Trucks Ltd, UK, Haddenham, HP17 8LJ, [www.daf.co.uk](http://www.daf.co.uk)

## CAB EXTERIOR

Space Cab with galvanised steel bumper, tinted glass and electric window openers. Main mirrors and wide angle mirrors electrically heated. Cab width 2490 mm.; Cab suspension mechanical; LED daytime running lights; Front view mirror; Central door lock system, 2 keys, 2 RC units.

### Optional

<b>01760</b> Super Space Cab	<b>08020</b> LED head lights
<b>01226</b> Cab suspension air	<b>09982</b> No auxiliary lights in the bumper
<b>01174</b> External sun visor green translucent	<b>09984</b> Fog lights and cornering lights
<b>06790</b> Aluminium ladder 1-piece	<b>06593</b> Skylights
<b>06791</b> Aluminium ladder 2-piece	<b>06628</b> One hazard beacon light at co-driver side
<b>00847</b> Air horns, single set	<b>06627</b> One hazard beacon light at driver side
<b>09006</b> Air horns, double set	<b>06629</b> Two hazard beacon lights

## AERODYNAMICS

### Optional

<b>08823</b> Adj. roof air deflector Space Cab; over 4 m (!)	<b>06904</b> Fixed rf deflector; total height over 4 m
<b>06776</b> Adjustable roof air deflector	<b>07401</b> Winding handle for roof air deflector
<b>08822</b> Adj. roof air deflector for Space Cab	<b>04906</b> Side collars
<b>06160</b> Fixed roof air deflector for Super Space Cab	

## COLOURS

Cab colour H3279 Brilliant White; Head lamp panel and bumper: Brilliant White; Chassis colour grey..

## CAB INTERIOR

Cab interior trim colour Dark Sand; Cab interior decoration Delta black; Driver seat: Comfort Air; Co-driver seat: basic; Lower bunk without drawer; Luggage carrier; Automatic Temperature Control and airco; Auxiliary cab heater (water); Pollen filter.

### Optional

<b>07152</b> Cab interior trim colour Exclusive	<b>07748</b> Co-driver seat: Xtra Leather Air
<b>07592</b> Cab interior decoration Argenta	<b>00967</b> Seat belts red
<b>07591</b> Cab interior decoration Rustica	<b>06539</b> Refrigerator
<b>07733</b> Driver seat: Luxury Air	<b>09603</b> Lower bunk with drawer 65 litres
<b>07736</b> Driver seat: Super Air	<b>06784</b> Lower bunk mattress Xtra Comfort
<b>07737</b> Driver seat: Xtra Leather Air	<b>01065</b> No upper bunk / no luggage carrier
<b>07741</b> Co-driver seat: Comfort Air	<b>01066</b> Upper bunk
<b>07743</b> Co-driver seat: Luxury Air	<b>06676</b> PL light in cab ceiling
<b>07746</b> Co-driver seat: Super Air	<b>06970</b> Automatic Cab Climate Control

## COMMUNICATION AND DRIVING MANAGEMENT

Tachograph digital, Stoneridge 1C version G2V2; Speed limiter setting 85 km/h; Eco off 90 km/h; Antennas: radio, 2x cellular, GNSS; Adaptive Cruise Control with FCW and AEBS-3; Driver Performance Assistant.

### Optional

<b>09681</b> Preparation for Maut	<b>06991</b> Predictive Cruise Control
<b>07117</b> Radio/USB player, 2 speakers	

## SAFETY AND SECURITY

Lane Departure Warning System; Vehicle Stability Control (VSC); Basic engine immobiliser system.

### Optional

<b>08631</b> Air bag (driver) and 2 seat belt tensioners	<b>09828</b> Front camera system
<b>07011</b> DAF Night Lock	<b>09827</b> Side camera system
<b>02178</b> Main switch with second control in the cab	<b>01725</b> Reverse warning

## SUSPENSION AND AXLES

Front axle load 8.00 t; Rear: 11.50 + 4.40 t, air suspension, SR1344.

### Optional

<b>01769</b> Front axle load 7.50 t	<b>04588</b> Rear axle SR1347
<b>06257</b> Front axle load 9.00 t	<b>08191</b> Axle load monitoring

## WHEELS AND TYRES

Front axle(s): 315/70R22.5; Second front or leading axle: 235/75R17.5; Driven rear axle(s): 315/70R22.5; Disc wheels steel, silvergrey; Wheel protection rings silvergrey.

### Optional

<b>16152</b> Tyre makes and types
-----------------------------------

## DRIVELINE

Engine MX-11, multi torque 6 cylinder diesel engine, 10.8 litres. Output 330 kW (449 hp) at 1600 rpm. Maximum torque 2300 Nm at 900-1125 rpm.; Exhaust emission Euro 6; Engine idle shutdown, 5 minutes; Automated gearbox, TraXon, 12 speeds; Gearbox ratio 16.69-1.00; Rear axle ratio 2.38; ASR.

### Optional

<b>04523</b> Manual gearbox, 16 speeds	<b>02314</b> Gearbox overdrive
<b>07103</b> Automated gearbox, TraXon, 16 speeds	

## BRAKE SYSTEM

MX Engine Brake; Park brake control with test position; Ventilated disc brakes front and rear. Dual circuit air system with electronic control (EBS). Twin cylinder air compressor with heated dryer and economy mode..

### Optional

<b>09920</b> No MX Engine Brake	<b>04901</b> Spring brake cylinders on the first front axle
<b>02715</b> ZF Intarder	

## CHASSIS

Wheelbase 3.85 m / rear overhang 0.99 m; Side member height 260 mm; Standard component location; Exhaust pipe horizontal, low; Batteries in rear overhang, no spare wheel carrier; Alu fuel tank 510 l with step, height 620 mm; Tank for AdBlue® 90 l, on left-hand mudguard; Front underrun protection (FUP); Catwalk with step; Rear mudguards; Spray suppression; Work lamp LED.

### Optional

<b>04748</b> Component-free left hand side	<b>03624</b> One wheel chock
<b>00756</b> Component-free right hand side	<b>06306</b> Two wheel chocks
<b>06611</b> Exhaust pipe vertical, high	<b>03323</b> Rear light with LEDs
<b>16157</b> Fuel tanks, material and sizes	

## DRAWBAR AND TRAILER EQUIPMENT

Fifth wheel JOST type JSK36DV, pressed steel, height 205 mm with 40 mm mounting plate. King pin diameter 2 inches.; Fifth wheel KA dimension 720 mm; Pneumatic trailer connection C-type; Electric connection 24 V / 2x7 pins; Trailer connection storage box.

### Optional

- 09472** No lead-up ramps            **16151** 5th wheel makes and heights  
**06731** Chassis protection beam

## POWER TAKE-OFF (PTO)

### Optional

- 16148** PTO types and positions

## 24V POWER SUPPLY

Alternator 80 A, batteries 2x 230 Ah..

### Optional

- 06460** Alternator 120 A            **07671** Batteries 2x210Ah AGM C-type  
**08775** Alternator 150 A

## GVM AND GCM

Chassis weight related technical GVM max 23900 kg; Driveline related max GCM 50000 kg class 3.

### Optional

- 03673** Driveline related max GCM 44000 kg class 2

## APPLICATION CONDITIONS

Air intake high.

### Optional

- 08400** Silent mode            **03648** Cyclonic air intake high  
**03646** Air intake front

## SERVICE AND MAINTENANCE

Standard Warranty takes care of 1 year complete vehicle as supplied by the OEM (excl. real wear parts), 2nd year driveline and 1st year breakdown.; ITS service.

### Optional

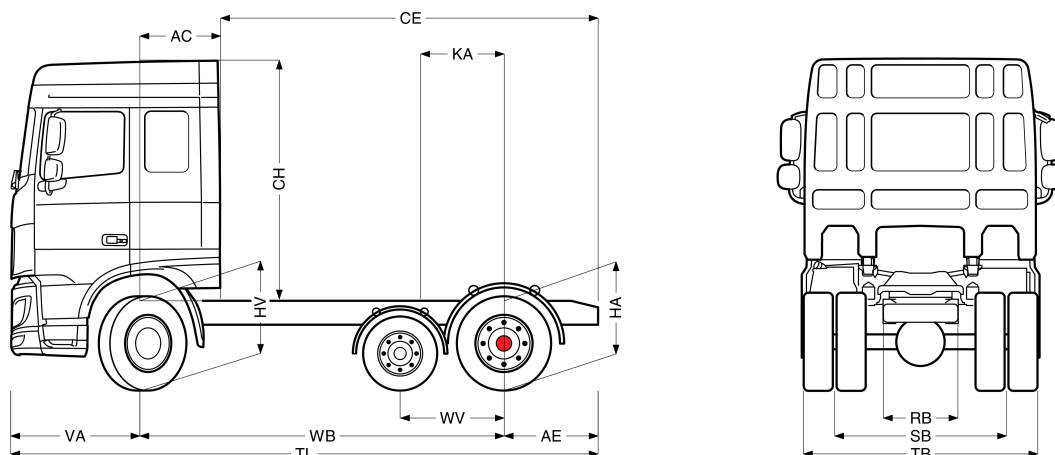
- 08311** Service interval extended



Go to [DAF.com](https://www.daf.com) to configure your own perfect DAF.

# XF 450

FTP 6X2 Tractor



	Wheelbase - AE		Unladen weight <sup>1)</sup>			Gross Carrying Capacity			Variable dimensions								
	WB	AE <sup>5)</sup>	Front	Rear	Total	Front	Rear	Total	AC	CE	CH	KA <sup>6)</sup>	TL	HA <sup>7)</sup>	HA <sup>8)</sup>	TK <sup>9)</sup>	TW <sup>10)</sup>
SPACE CAB	3,85	0,99	5102	2990	8092	2898	12906	15804	0,88	3,96	2,56	0,72	6,21	0,97	0,94	12,84	14,19
	4,05	0,99	5104	2996	8101	2896	12901	15796	0,88	4,16	2,56	0,92	6,41	0,97	0,94	13,36	14,71
SUPER SPACE CAB	3,85	0,99	5174	3000	8174	2826	12897	15723	0,88	3,96	2,94	0,72	6,21	0,97	0,94	12,84	14,19
	4,05	0,99	5176	3006	8182	2824	12891	15715	0,88	4,16	2,94	0,92	6,41	0,97	0,94	13,36	14,71

OTHER DIMENSIONS VA: 1,37 WV: 1,10 HV<sup>11)</sup>: 0,96 HV<sup>12)</sup>: 0,89 RB: 0,79 SB: 1,82 TB<sup>13)</sup>: 2,48

1) GVM in conformity with registration documents.  
 2) GCM in conformity with registration documents.  
 3) Axle load with standard tyre size.  
 5) Other AE dimensions may be available for shown WB.  
 6) Calculate customer specific KA with TOPEC.

7) Unladen height at centre of driven axle(s).  
 8) Laden height at centre of driven axle(s).  
 9) TK = turning circle between kerbs.  
 10) TW = turning circle between walls.  
 11) Unladen height at centre of front axle(s).  
 12) Laden height at centre of front axle(s).  
 13) TB is overall width at rear. (At centre of front axle 255).

Depending on the vehicle configuration a specific option may not be possible. The availability and specification of this vehicle may differ per country. For further information please contact the DAF organisation. Pictures and technical illustrations are not binding in detail and can differ from the standard specification. Subject to modification without prior notice.