

Specification sheet

XF 310

FAN 6X2 Rigid, Electric



ENGINES

XD Electric 270 PACCAR EX-D2 (270 kW /	315 kWh 420 kWh 525 kWh)
XD Electric 310 PACCAR EX-D2 (310kW /	420 kWh 525 kWh)
XD Electric 350 PACCAR EX-D2 (350kW /	420 kWh 525 kWh)

GVM¹⁾

26000 kg

Max. front 8000 kg

Max. rear 19000 kg

GCM²⁾

42000 kg

CAB EXTERIOR

Luxurious Sleeper Cab with unrivalled aerodynamics for fuel efficient driving and low CO2 emissions. The huge and deep frontscreen, curved at the sides combined with large side windows offer an unsurpassed direct view for the driver, to enhance road safety. The cab interior is extremely comfortable for driving, living and sleeping with unprecedented spaciousness and practical layout. Cab length: 2360 mm; cab width: 2500 mm.; Cab suspension mechanical; LED head lights; Front view mirror.

Optional

06244 Sleeper High Cab	01925 Two LED work lamps for cab rear wall
02889 Chassis front execution: no bottom plate	01891 Hazard beacons on cab front, prepared
02952 Chassis front execution: bottom plate aero	06629 Two hazard beacon lights
07586 Chassis front execution: robust	03231 Front windscreen
03358 External sun visor	03317 Rear window: double glass
03922 Fog lights front	07343 Kerb view window co-driver door
00936 Auxiliary LED lights on cab roof, prepared	01550 No front view mirror
01836 LED Skylights	01362 DAF Digital Vision System
00949 LED Skylights; aux. LED lights on cab rf, prepared	01913 DAF Corner View

AERODYNAMICS

Optional

00008 Adj. roof air deflector short Sleeper High Cab	01538 Adj. roof air defl. long high >4m(!) Sleeper High
01902 Adj. rf air defl. long low >4m(!) XF Sl. High Cab	00097 Adj. roof air deflector for Sleeper Cab
00124 Adj. rf air defl. long mid >4m(!) Sleeper High Cab	00020 Adj. roof air deflector long low Sleeper High Cab

COLOURS

Cab colour E1980 Crystal White; Chassis colour grey.; Colour of bumper: Crystal White.

CAB INTERIOR

Cab interior trim colour: Luxury; Dashboard finish: Vision; Cab interior decoration: Hexagon; Driver seat: Comfort Air; No arm rest driver seat; Co-driver seat: cinema with fabric cover; Dashboard table; Storage compartment in centre; Automatic Temperature Control and airco; Auxiliary cab heater (water).

Optional

07310 Steering wheel, black	03948 Single drawer
02355 Steering wheel, leather	04070 Two drawers
02146 Dashboard finish: Plateau	03954 Refrigerator
02353 Cab interior decoration: Argenta	04050 Refrigerator and drawer
02350 Cab interior decoration: Natura	04069 Two refrigerators
07733 Driver seat: Luxury Air	02854 Xtra Comfort mattress for lower bunk
07736 Driver seat: Super Air	01775 Xtra Comfort mattress with topper for lower bunk
07737 Driver seat: Xtra Leather Air	06970 Automatic Cab Climate Control

COMMUNICATION AND DRIVING MANAGEMENT

PACCAR Connect; Tachograph digital, Stoneridge 1C version G2V2; Speed limiter setting 85/90 km/h; DAF Infotainment Luxury with Luxury speakers; Adaptive Cruise Control with FCW and AEBS-3; Driver Performance Assistant.

Optional

09681 Preparation for Maut	03470 DAF Infotainment System: Exclusive, prepared
06211 DAF Infotainment System with FM/DAB/DAB+ radio	01915 DAF Infotainment System: Luxury Plus

SAFETY AND SECURITY

DAF drowsiness detection; Lane Departure Warning System; Vehicle Stability Control (VSC); Basic engine immobiliser system.

Optional

08631 Air bag (driver) and 2 seat belt tensioners	02673 DAF Turn Assist
02569 No Driver State Monitoring	01952 No DAF Side/Turn Assist

SUSPENSION AND AXLES

Front: 8.00 t, parabolic, 163N; Rear axle load 13.00 t; Rear: 20.00 t, air suspension, SR1344; Trailing axle load 8.0t; Lifting device.

Optional

06257 Front axle load 9.00 t	04647 Front springs air
06095 Front axle load 10.00 t	08191 Axle load monitoring

WHEELS AND TYRES

Driven rear axle(s): 315/70R22.5; Second driven rear or trailing axle: 315/70R22.5; F1,315/70R22.5GO FMXSE 156/150 L Steering BBA 3P; R1,315/70R22.5GO FMXDE 154/150 L Traction BBA 3P; R2,315/70R22.5GO FMXSE 156/150 L Steering BBA 3P.

Optional

16152 Tyre makes and types

DRIVELINE

Electric motor type EX-D2; 310 kW; 150 kW DC charging; Battery Electric Vehicle; Rear axle ratio 2.38.

Optional

01686 270 kW	01756 325 kW DC charging
01692 350 kW	02843 Mechanical differential lock
01749 Charging: 150 kW DC + 22 kW AC	

BRAKE SYSTEM

Ventilated disc brakes front and rear. Dual circuit air system with electronic control (EBS). Electric driven, water cooled air compressor with automatic air heated dryer..

Optional

04901 Spring brake cylinders on the first front axle

CHASSIS

Wheelbase 4.20 m / rear overhang 2.40 m; Side member height 260 mm; Standard component location; 4 HV battery packs; HV battery packs left, positions 1 and 2; HV battery pack right, position 1; Front underrun protection (FUP); Spray suppression.

Optional

02601 Side member height 310 mm	01626 No HV battery packs left
01697 3 HV battery packs	01785 HV battery pack right, position 2
01701 5 HV battery packs	01791 HV battery packs right, positions 1 and 2
01634 HV battery pack left, position 1	01799 HV battery packs right, positions 2 and 3
01635 HV battery pack left, position 2	01658 No HV battery packs right
01762 HV battery packs left, positions 2 and 3	16157 Fuel tanks, material and sizes

DRAWBAR AND TRAILER EQUIPMENT

D-value cross member D=13.7; No pneumatic trailer connection; Electric connection 24 V / 1x15 pins.

Optional

07033 Trailer coupling Ringfeder D=13.7	08027 Trailer coupling Rockinger D=20.0
07034 Trailer coupling Ringfeder D=20.0	04659 Trailer cable EBS
08026 Trailer coupling Rockinger D=13.0	

BODIES AND PREPARATIONS FOR BODYING

Application connector chassis.

Optional

09421 Additional spare wiring	08121 Tail lift application
09201 Chassis preparation for BDF	

POWER TAKE-OFF (PTO)

Optional

01809 E-PTO socket 650V DC < 25 kW	01815 E-PTO socket 650V DC < 60 kW
---	---

24V POWER SUPPLY

Batteries 2x 175 Ah..

Optional

07671 Batteries 2x210Ah AGM C-type	06440 Batteries 2x230Ah
---	--------------------------------

GVM AND GCM

Chassis weight related technical GVM max 28000 kg; Driveline related max GCM 42000 kg.

Optional

02636 Driveline related max GCM 29000 kg	02200 Driveline related max GCM 46000 kg class 2
01937 Driveline related max GCM 46000 kg	03675 Driveline related max GCM 50000 kg class 3

APPLICATION CONDITIONS

Optional

02260 Extra cab insulation	06614 Anti-dust blow-up shield
-----------------------------------	---------------------------------------

SERVICE AND MAINTENANCE

Standard Warranty takes care of 1 year complete vehicle as supplied by the OEM (excl. real wear parts), 2nd year driveline and 1st year breakdown.; ITS service.

VEHICLE DELIVERY

Minimum toolkit.

Optional

07569 Lifting jack

OPTION PACKAGES

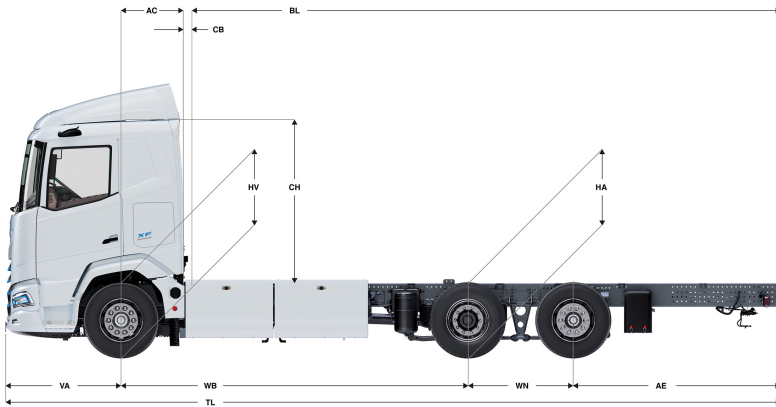
Optional

17448 Safety pack	17623 No Climate Pack
17595 Executive Pack XD/XF	

Go to [DAF.com](https://www.daf.com) to configure your own perfect DAF.

XF 310

FAN 6X2 Rigid, Electric



	Wheelbase - AE		Unladen weight ⁹⁾			Gross Carrying Capacity			Variable dimensions									
	WB	AE ⁵⁾	Front	Rear	Total	Front	Rear	Total	AC	CB ⁶⁾	CH	BL ⁷⁾	BL	TL	HA ⁸⁾	HA ⁹⁾	TK ¹⁰⁾	TW ¹¹⁾
SLEEPER CAB	4,20	2,40	6839	4196	11035	1161	14804	14965	0,83	0,07	2,23	7,01	7,01	9,53	0,97	0,94	14,53	15,93
	4,40	2,55	6889	4227	11116	1111	14773	14884	0,83	0,07	2,23	7,40	7,40	9,88	0,97	0,94	15,05	16,46
	4,60	2,55	6948	4186	11135	1052	14814	14865	0,83	0,07	2,23	7,81	7,81	10,08	0,97	0,94	15,57	16,99
	4,80	2,70	6992	4191	11183	1008	14809	14817	0,83	0,07	2,23	8,22	8,22	10,43	0,97	0,94	16,09	17,52
	5,05	2,90	7033	4174	11207	967	14826	14793	0,83	0,07	2,23	8,71	8,71	10,88	0,97	0,94	16,74	18,18
	5,30	3,15	7060	4161	11221	940	14839	14779	0,83	0,07	2,23	9,19	9,19	11,38	0,97	0,94	17,39	18,84
	5,60	3,15	7175	4243	11418	825	14757	14582	0,83	0,07	2,18	9,85	9,85	11,68	1,02	0,99	18,18	19,63
6,10	2,90	7304	4188	11492	696	14812	14508	0,83	0,07	2,18	10,90	10,90	11,93	1,02	1,00	19,49	20,96	
SLEEPER HIGH CAB	4,20	2,40	6870	4196	11065	1130	14804	14935	0,83	0,07	2,71	7,02	7,02	9,53	0,97	0,94	14,53	15,93
	4,40	2,55	6919	4227	11146	1081	14773	14854	0,83	0,07	2,71	7,41	7,41	9,88	0,97	0,94	15,05	16,46
	4,60	2,55	6979	4186	11165	1021	14814	14835	0,83	0,07	2,71	7,83	7,83	10,08	0,97	0,94	15,57	16,99
	4,80	2,70	7022	4191	11213	978	14809	14787	0,83	0,07	2,71	8,23	8,23	10,43	0,97	0,94	16,09	17,52
	5,05	2,90	7063	4174	11237	937	14826	14763	0,83	0,07	2,71	8,73	8,73	10,88	0,97	0,94	16,74	18,18
	5,30	3,15	7091	4161	11251	909	14839	14749	0,83	0,07	2,71	9,23	9,23	11,38	0,97	0,94	17,39	18,84
	5,60	3,15	7206	4243	11448	794	14757	14552	0,83	0,07	2,66	9,87	9,87	11,68	1,02	0,99	18,18	19,63
6,10	2,90	7335	4188	11523	665	14812	14477	0,83	0,07	2,66	10,94	10,94	11,93	1,02	1,00	19,49	20,96	

OTHER DIMENSIONS	VA: 1,53	WN: 1,40	HV ¹²⁾ : 0,92	HV ¹³⁾ : 0,90	RB: 0,79	SB: 1,82	TB ¹⁴⁾ : 2,48
------------------	----------	----------	--------------------------	--------------------------	----------	----------	--------------------------

- GVM in conformity with registration documents.
- GCM in conformity with registration documents.
- Axle load with standard tyre size.
- Chassis and cab weight calculated with: Standard specification items only with 3 litres of fuel, 0 litres of AdBlue® and driver of 90 kg, tolerance ± 3%. Changing of the specification can have major impact on vehicle weight.
- Other AE dimensions may be available for shown WB. Modify rear overhang to the calculated body length.
- CB is based on standard air intake and/or exhaust.
- Calculate customer specific body length with TOPEC. Body lengths shown based on evenly distributed load at max axle load.

- Unladen height at centre of driven axle (trailing axle down).
- Laden height at centre of driven axle(s).
- Axle load with standard tyre size.
- TW = turning circle between walls.
- Unladen height at centre of front axle(s).
- Laden height at centre of front axle(s).
- TB is overall width at rear. (At centre of front axle 255).

Depending on the vehicle configuration a specific option may not be possible. The availability and specification of this vehicle may differ per country. For further information please contact the DAF organisation. Pictures and technical illustrations are not binding in detail and can differ from the standard specification. Subject to modification without prior notice.